

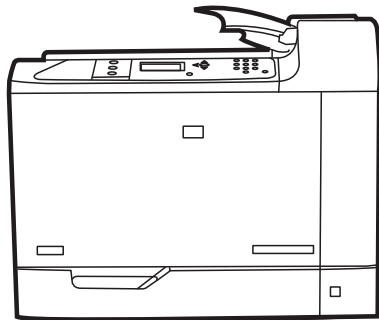
HP Color LaserJet CP6015 Series Printers

Service Manual

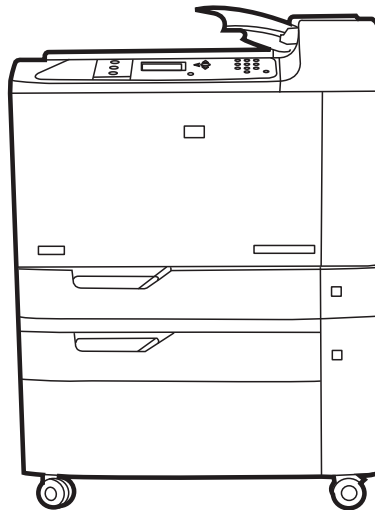


For the complete PDF manual
please visit www.LaserPros.com.

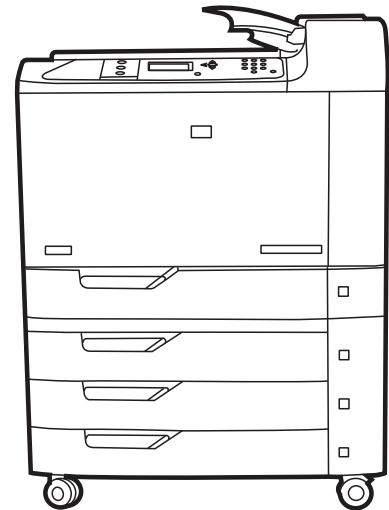
CP6015n
CP6015dn
CP6015de



CP6015x



CP6015xh



HP Color LaserJet CP6015 Series Printers

Service Manual



Copyright and License

© 2008 Copyright Hewlett-Packard Development Company, L.P.

Reproduction, adaptation, or translation without prior written permission is prohibited, except as allowed under the copyright laws.

The information contained herein is subject to change without notice.

The only warranties for HP products and services are set forth in the express warranty statements accompanying such products and services. Nothing herein should be construed as constituting an additional warranty. HP shall not be liable for technical or editorial errors or omissions contained herein.

Part number: Q3931-90938

Edition 1, 04/2008

Trademark Credits

Adobe®, Acrobat®, and PostScript® are trademarks of Adobe Systems Incorporated.

Corel® is a trademark or registered trademark of Corel Corporation or Corel Corporation Limited.

Microsoft®, Windows®, and Windows®XP are U.S. registered trademarks of Microsoft Corporation.

Windows Vista™ is either a registered trademark or trademark of Microsoft Corporation in the United States and/or other countries.

PANTONE® is Pantone, Inc's check-standard trademark for color.

UNIX® is a registered trademark of The Open Group.

ENERGY STAR® is a U.S. registered mark of the United States Environmental Protection Agency.

Table of contents

1 Product basics

Quick access to product information	2
Product comparison	3
Product features	4
Product walkaround	7
Front view	7
HP Color LaserJet CP6015n, HP Color LaserJet CP6015dn, and HP Color LaserJet CP6015de	7
HP Color LaserJet CP6015x	8
HP Color LaserJet CP6015xh	8
Back view	9
Interface ports	10
Serial number and model number location	10
Supported operating systems	11

2 Control panel

Use the control panel	14
Control-panel layout	14
Interpreting control panel indicator lights	15
Control panel menus	16
Getting started basics	16
Menu hierarchy	17
Open the menus	17
Show Me How menu	18
Retrieve job menu	19
Information menu	20
Paper handling menu	21
Configure device menu	22
Printing menu	22
PCL sub-menu	22
Print Quality menu	24
System setup menu	29
Output Setup menu	35
I/O menu	38

Resets menu	43
Diagnostics menu	45
Service menu	49

3 Paper and print media

Supported paper and print media sizes	52
Supported paper types	56
Special paper or print media guidelines	58
Load paper and print media	59
Load Tray 1	59
Print envelopes	60
Load banner paper into Tray 1	60
Load Trays 2, 3, 4, or 5	60
Load standard-sized paper into Trays 2, 3, 4, or 5	60
Load undetectable standard-sized paper into Trays 2, 3, 4, and 5	62
Load custom-size paper into Tray 2, 3, 4, or 5	63
Load large-size paper into Tray 3, 4, or 5	64
Configure trays	66
Configure a tray when loading paper	66
Configure a tray to match print job settings	66
Configure a tray by using the Paper Handling menu	67
Automatic media type sensing (auto sense mode)	67
Auto-sense settings	67
Choose an output location	69
Standard output bin	69
Optional output accessories	69
3-bin stapler/stacker features	69
Booklet maker finisher features	69
Accessory workaround	70
Configure the accessory operation mode	71
Select the operating mode at the control panel	71
Select the operating mode in the printer driver (Windows)	72
Select the operating mode in the printer driver (Mac OS X)	72

4 Manage and maintain the product

Information pages	74
HP Easy Printer Care	75
Open the HP Easy Printer Care software	75
HP Easy Printer Care software sections	75
Embedded Web server	78
Open the embedded Web server by using a network connection	78
Embedded Web server sections	79
Use HP Web Jetadmin software	81

Security features	82
Secure the embedded Web server	82
Secure Disk Erase	82
Data affected	82
Additional Information	83
Job storage	83
Lock the control-panel menus	83
Manage supplies	84
Print-cartridge storage	84
HP policy on non-HP print cartridges	84
HP fraud hotline and Web site	84
Replace supplies	85
Locate supplies	85
Supply replacement guidelines	85
Approximate replacement intervals for supplies	86
Change print cartridges	86
Change image drums	88
Install memory	91
Install DDR memory DIMMs	91
Enable memory for Windows	95
Install an HP Jetdirect or EIO print server card or EIO hard disk	96
Replace the staple cartridge	98
Replace saddle stitch staple cartridges in the booklet maker	100
Clean the product	103
Clean spilled toner	103
Clean the product exterior	103
Clean the product interior	103
Clean the 3X500 sheet input tray	105
Clean the IPTU	106
Upgrade the firmware	107
Determine the current firmware version	107
Download new firmware from the HP Web site	107
Transfer the new firmware to the product	107
Use FTP to upload the firmware through a browser	107
Use FTP to upgrade the firmware on a network connection using Microsoft Windows	108
Use HP Web Jetadmin to upgrade the firmware	108
Use MS-DOS commands to upgrade the firmware for USB connections	109
Upgrade the HP Jetdirect firmware	109
Set the real-time clock	111
Set the real-time clock	111
5 Theory of operation	
Basic operation	114

Sequence of operation	114
Formatter system	116
Sleep mode	116
Resolution	117
Input/output	117
CPU	117
Memory	117
Hard disk	117
Random-access memory	117
DIMM slot	118
Firmware	118
Nonvolatile memory	118
PJL overview	118
PML	118
Control panel	118
Engine-control system	119
DC controller	120
Solenoids	120
Switches	121
Sensors	122
Motors and fans	123
Fuser control	125
Fuser temperature-control circuit	127
Fuser over-temperature protection	128
Fuser-failure detection	129
Fuser identification	129
Fuser-life detection	130
Relay-failure detection	130
Low-voltage power supply	130
Overcurrent/overvoltage protection	131
Safety	131
Voltage detection	131
Sleep (powersave) mode	131
High-voltage power supply	131
Laser/scanner system	134
Image-formation system	136
Image-formation process	137
Step 1: Pre-exposure	138
Step 2: Primary charging	138
Step 3: Laser-beam exposure	139
Step 4: Development	139
Step 5: Primary transfer	140
Step 6: Secondary transfer	140
Step 7: Separation	141

Step 8: Fusing	141
Step 9: ITB cleaning	142
Step 10: Drum cleaning	142
Print cartridge	143
Imaging drum	144
Developing roller engagement and disengagement	146
Intermediate transfer belt (ITB) unit	147
Primary-transfer-roller engagement and disengagement	148
ITB unit detection	149
Secondary-transfer-roller unit	151
Calibration	151
Color-misregistration control	152
Image-stabilization control	153
Color-sensor control (duplex models only)	153
Gray-axis correction	155
Pickup, feed, and delivery system	156
Pickup-and-feed unit	159
Cassette pickup	161
Cassette paper-size and cassette-presence detection	161
Cassette lift operation	163
Cassette paper-level and paper-presence detection	164
Multifeed prevention	165
Multipurpose tray pickup	166
Multipurpose tray last-paper detection	167
Paper feed	168
Skew-feed prevention	169
Paper-type detection	170
Feed-speed control	171
Fusing and delivery unit	173
Loop control	173
Pressure-roller pressurization control	174
Duplexing unit	175
Duplexing reverse and feed control	176
Jam detection	177
Optional input trays	179
Paper-feeder pickup and feed operation	182

6 Removal and replacement

Removal and replacement strategy	186
Introduction	186
Required tools	187
Types of screws	187
Service approach	188

Before performing service	188
After performing service	188
Parts removal sequences	189
User-replaceable parts	190
Fuser	191
Transfer roller	194
Intermediate-transfer belt (ITB)	196
Tray-1 pickup and separation rollers	199
Tray-2, -3, -4, and -5 pickup rollers	201
Formatter	203
1 x 500-sheet input tray installation	206
3 x 500-sheet input tray installation	207
Tray 2	208
Trays 3, 4, and 5	208
Removal sequence 1	209
Secondary transfer unit	210
Multipurpose drive unit	215
Multipurpose-tray guide (Tray 1) unit	219
Cassette (Tray-2) pickup unit	220
Removal sequence 2	221
Rear-left cover	222
Rear-right cover	223
Rear cover	224
Low-voltage power supply unit	225
High-voltage power supply PCA (A)	226
Lifter drive unit	228
Removal sequence 2A	230
Fuser motor	230
Removal sequence 2B	231
Intermediate-transfer belt (ITB) motor	231
Removal sequence 2C	232
Face-down output bin	232
Left cover	233
Laser/scanner-fan duct	234
Removal sequence 2D	236
Print-cartridge driver PCA	236
Removal sequence 3	238
Rear-left cover	239
Face-down output bin	240
Left cover	241
High-voltage power supply PCA (B)	242
Formatter case	244
DC controller PCA	246
Removal sequence 3A	248

Environmental sensor	248
Removal sequence 4	249
Rear-left cover	250
Rear-right cover	251
Rear cover	252
Face-down output bin	253
Left cover	254
Print-cartridge driver PCA	255
Image-drum motor	257
Removal sequence 4A	259
Fuser fan	259
Removal sequence 4B	260
Print-cartridge feed motor (black)	260
Print-cartridge feed motor (yellow, magenta, and cyan)	261
Removal sequence 4C	262
Cartridge fan unit	262
Laser/scanner fan unit	263
Removal sequence 4D	264
Fuser power-supply unit	264
Primary-transfer-roller disengagement motor	265
Removal sequence 4 Sub-1	266
Print-cartridge drive unit (yellow and magenta)	267
Print-cartridge drive unit (cyan and black)	272
Print-cartridge interface PCA (cyan and black)	273
Main drive unit	274
Removal sequence 4 Sub-1A	276
Print-cartridge interface PCA (yellow and magenta)	276
Removal sequence 4 Sub-1B	277
Cartridge-fan duct	277
Removal sequence 5	278
Rear-left cover	279
Face-down output bin	280
Rear-upper cover	281
Control panel	282
Front-upper cover	284
Right-upper cover	285
Duplex switchback tray	286
Reverse cover	287
VOC fan	289
Duplexing reverse unit	290
Face-down delivery unit	291
Face-down cover	293
Removal sequence 5A	294
Scanner cover	294

Laser/scanner assembly (yellow and magenta)	295
Laser/scanner assembly (cyan and black)	297
Removal sequence 5B	299
Front door	299
Front-inner cover	300
Removal sequence 5C	301
Front-door assembly	301
Removal sequence 5D	302
Color-misregistration and image-density sensor unit	302
Removal sequence 5E	304
Pressure-release sensor unit	304
Removal sequence 6	305
Rear-left cover	306
Rear-right cover	307
Right-upper cover	307
Right-door assembly	308
Duplexing feed unit	310
Multipurpose-tray (Tray-1) pickup unit	312
Removal sequence 7	315
Thermopile unit	316
Front-lower cover	317
ITB duct	318
Optional input trays	319
1 x 500-sheet input tray	319
Right door	319
Lower-rear cover	321
Front-right cover	322
Right cover	323
Front-upper cover	324
Lower-left cover	325
Front-lower door	326
Box	327
Pickup unit	328
Input tray is not attached	328
Input tray is attached	329
Auto-close unit	331
Pickup motor	332
Paper-feeder driver PCA	333
3 x 500-sheet input tray	334
Right door	334
Lower-rear cover	334
Front-right cover	334
Right cover	334
Front-upper cover	334

Left cover	334
Pickup unit (middle cassette)	335
Pickup unit (lower cassette)	336
Pickup unit (upper cassette)	336
Input tray is not attached	336
Input tray is attached	337
Auto-close unit	339
Pickup motor	339
Paper-feeder driver PCA	339

7 Solve problems

Troubleshooting process	342
Determine the problem source	342
Pre-troubleshooting checklist	342
Troubleshooting checklist	343
Troubleshooting flowchart	344
Power subsystem	345
Power-on checks	345
Power-on troubleshooting overview	345
Tools for troubleshooting	347
Internal print-quality test pages	347
Diagnostics page	347
Configuration pages	348
Configuration page	348
HP embedded Jetdirect page	350
Embedded protocol page	351
Finding important information on the configuration pages	352
Solve performance problems	353
Solve connectivity problems	354
Solve direct-connect problems	354
Solve network connectivity problems	354
Solve network printing problems	354
Verify communication over the network	355
Control-panel message types	356
Control-panel messages	357
Event log messages	422
Print an event log	422
Show an event log	422
Sample event log	423
Clear the event log	423
Event log message	424
Paper-handling problems	428
Jams	428

Common causes of jams	428
Jam locations	429
Clear jams	429
Jam sensors	430
AREA 1: Jams in the output bin	431
AREA 2 and 3: Jams in the fuser and transfer area	433
AREA 4: Jams in the duplex area	440
AREA 5: Jams in Tray 2 and the internal paper path	445
AREA 6: Clear jams in Tray 1	449
Clear jams when printing banners	452
AREA 7: Jams in optional Trays 3, 4, and 5	455
AREA 8: Jams in the optional finishing devices	460
Clear staple jams	466
Jam recovery	470
Product feeds multiple sheets	471
Product pulls from incorrect tray	471
Product feeds incorrect page size	471
Paper does not feed automatically	472
Paper does not feed from Tray 2, 3, 4, or 5	472
Transparencies or glossy paper will not feed	473
Envelopes jam or will not feed in the product	473
Output is curled or wrinkled	474
Product will not duplex or duplexes incorrectly	474
Solve image-quality problems	476
Example print quality problems	476
Repetitive defects ruler	476
Overhead transparency defects	478
Print quality problems associated with the environment	478
Print quality problems associated with jams	478
Optimize and improve image quality	478
Use supported paper	479
Calibrate the product	479
Specify the correct paper type	479
Clean the fuser	480
Respond to control panel error messages	481
Clean the registration second transfer assembly	482
Use manual print modes	484
Print-quality-troubleshooting pages	485
Image-quality issues	487
Interface troubleshooting	493
Communication checks	493
EIO troubleshooting	493
Engine diagnostics	494
LED diagnostics	494

Understand lights on the formatter	494
HP Jetdirect LEDs	494
Heartbeat LED	495
Engine-test button	495
Diagnostics menu	496
Diagnostics mode	496
Diagnostics that put the engine into the special diagnostics mode	497
Diagnostic tests	497
Disable cartridge check	498
Paper-path sensors test	499
Paper-path test	501
Manual sensor test (special-mode test)	501
Manual sensor test 2 (special-mode test)	502
Component tests	503
Component test (special-mode test)	503
Print/stop test	507
Color-band test	507
Service mode functions	508
Service menu	508
Product resets	509
Restore factory-set defaults	509
Hard disk initialization	510
NVRAM initialization	510
Diagrams	511
Connectors	511
DC controller PCA	511
PCAs	511
Product base	514
1 x 500-sheet input tray	517
3 x 500-sheet input tray	517
IPTU	518
Sensors	518
Sensors	518
Product base	520
1 x 500-sheet input tray	522
3 x 500-sheet input tray	523
IPTU	524
Fans	525
Fans	525
Product base	526
Motors	526
Motors	526
Product base	528
1 x 500-sheet input tray	529

3 x 500-sheet input tray	530
IPTU	531
Solenoids	531
Solenoids	531
Product base	532
1 x 500-sheet input tray	532
3 x 500-sheet input tray	533
Switches	534
Switches	534
Product base	534
1 x 500-sheet input tray	535
3 x 500-sheet input tray	535
Block diagrams	537
Main assemblies	537
Main parts	540
PCAs	541
1 x 500-sheet input tray	542
3 x 500-sheet input tray	543
Intermediate paper-transfer unit (IPTU)	544
General timing chart	545
General circuit diagrams	545
Signals	550

8 Output accessories and intermediate paper-transfer unit (IPTU)

Theory of operation	580
Intermediate paper-transfer unit (IPTU)	580
Basic operation	580
Feed operation	582
Jam detection	582
3-bin stapler/stacker	583
Basic operation	583
Electrical circuitry	584
Feed drive system	584
Construction of the control system	585
Paper delivery path (stapler/stacker and booklet maker)	587
Intermediate-process output-bin assembly (stapler/stacker and booklet maker)	591
Stack job offset	591
Process output bin paper-stacking operation	593
Offset operation	593
Stack trailing-edge assist operation	594
Stack delivery operation	594
Staple operation (stapler/stacker and booklet maker)	595
Staple unit	598

Shift the staple unit	599
Stack operation (stapler/stacker and booklet maker)	601
Output bin operation	601
Shutter operation	603
Jam detection	604
Power supply	605
Power-supply route	605
Protection function	605
HP Booklet Maker/Finisher accessory	606
Basic operation	606
Basic operation of the stacker unit	606
Electrical circuitry of the stacker unit	606
Basic operation of the booklet maker unit	607
Electrical circuitry for the booklet maker unit	608
Feed drive system	608
Paper-delivery path (booklet maker only)	613
Basic operation for the booklet maker	614
Control of the inlet flappers	618
Control of paper movement	621
Alignment of paper	623
Control the phase of the crescent roller	625
Overview of folding	627
Control of stack movement	628
Fold the stack	628
Double folding a stack	631
Intermediate-process-tray assembly	632
Staple operation	633
Stapler unit	633
Stapling operation	634
Stitcher (stapler) unit	634
Stack operation	635
Jam detection	635
Detect jams in the stacker unit	636
Detect jams in the booklet maker unit	636
Power supply	637
Power-supply route for the stacker unit	637
Protective function for the stacker unit	638
Power-supply route for the booklet maker unit	638
Protective function for the booklet maker unit	638
Specifications	639
Accessory specifications	639
Stapler/stacker output-bin capacities	644
Booklet-maker output-bin capacities	645
Removal and replacement	646

Intermediate paper-transfer unit (IPTU)	646
IPTU	646
Reverse guide	648
Rear cover	649
Upper-guide assembly	652
Damper unit	653
Right-belt drive unit	654
Left-belt drive unit	657
Finisher-lock assembly	659
IPTU paper-feed motor 1	661
IPTU paper-feed motor 2	662
IPTU driver PCA	663
Booklet maker and stapler/stacker	664
Identify the booklet maker and stapler/stacker	664
Remove the booklet maker and stapler/stacker from the printer	665
External covers	668
Entrance lower-guide assembly	668
Front door	669
Rear cover	670
Front-foot cover	671
Rear-foot cover	671
Front inside-upper cover	672
Front inside-lower cover (booklet maker only)	673
Left-upper cover	674
Top door	676
Grate-shaped upper guide	678
Move output bins 1 and 2	679
Grate-shaped lower guide	681
PCA cover	682
Drive system	683
Stapler	683
Stapler assembly	685
Swing unit	688
Upper crossmember unit	692
Saddle unit (booklet maker only)	695
Saddle-stapler assembly (booklet maker only)	699
Positioning plate unit (inner side-plate assembly) (booklet maker only)	700
Document feed system	703
Operation-tray assembly	703
Output-bin 1	708
Output-bin 2	710
Upper output bin (stapler-stacker only)	712
Buffer rollers	713

Booklet-delivery output bin (booklet maker only)	714
Booklet-delivery output bin unit (booklet maker only)	715
Return roller unit	716
Pressure roller unit	718
Entrance upper guide unit	723
Upper-delivery guide (booklet maker only)	725
Inlet feed unit (stapler-stacker only)	726
Inlet feed unit (booklet maker only)	729
Paper-folding roller (booklet maker only)	732
Electrical system	737
Stacker controller PCA	737
Saddle-stitcher controller PCA (booklet maker only)	738
Solve problems	739
Intermediate paper-transfer unit (IPTU)	739
.....	739
Stapler/stacker and booklet maker	739
Individual component diagnostics	739
Manual sensor test	739
Component test	740
LED diagnostics	741
Diagrams	743
Cross sections	743
Sensors	746
Microswitches	750
Solenoids	752
Motors	754
Clutches	756
PCA	757
Variable resistors, LED, and check pins	760
Circuit diagrams	763
Adjustments	768
Adjust the alignment position	768
Adjust the staple position	768
Adjust the folding position to the stitch position (Booklet maker only)	770
Adjust the stitcher unit	773

9 Parts and diagrams

Order parts, accessories, and supplies	778
Order directly from HP	778
Order directly through the software	778
Customer self-repair parts	780
Customer self-repair parts	780
Service documentation	781

Part numbers	781
Accessories	781
Print cartridges	782
Image drums	782
Maintenance kits	782
Memory	782
Cables and interfaces	783
Printer	784
Printer unit	784
Printer parts	785
Input accessories	832
Input trays	832
Output accessories	850
Intermediate paper-transfer unit (IPTU)	850
Stapler/stacker and booklet-maker	858
Alphabetical parts list	926
Numerical parts list	952

Appendix A Service and support

Hewlett-Packard limited warranty statement	979
Print cartridge and image drum limited warranty statement	981
Color LaserJet Fuser Kit, Transfer Kit, and Roller Kit Limited Warranty Statement	982
Customer self repair warranty service	983
Customer support	984
Availability of support and service	985
HP maintenance agreements	985
On-site service agreements	985
Priority onsite service	985
Next-day onsite service	985
Weekly (volume) on-site service	985

Appendix B Product specifications

Physical specifications	988
Electrical specifications	989
Acoustic specifications	990
Environmental specifications	991

Appendix C Regulatory information

FCC regulations	994
Environmental product stewardship program	995
Protecting the environment	995
Ozone production	995
Power consumption	995

Paper use	995
Plastics	995
HP LaserJet print supplies	995
Return and recycling instructions	996
United States and Puerto Rico	996
Multiple returns (more than one cartridge)	996
Single returns	996
Shipping	996
Non-U.S. returns	996
Paper	996
Material restrictions	996
Disposal of waste equipment by users in private households in the European Union	997
Material Safety Data Sheet (MSDS)	997
For more information	998
Declaration of Conformity	999
Certificate of volatility	1000
Types of memory	1000
Volatile memory	1000
Non-volatile memory	1000
Hard-disk-drive memory	1000
Safety statements	1001
Laser safety	1001
Canadian DOC regulations	1001
VCCI statement (Japan)	1001
Power cord statement (Japan)	1001
EMI statement (Korea)	1001
Laser statement for Finland	1002
Substances Table (China)	1003
Index	1005

For the complete PDF manual
please visit www.LaserPros.com.