

For the complete PDF manual
please visit www.LaserPros.com

HP DesignJet 700,
HP DesignJet 750C,
HP DesignJet 750C Plus and
HP DesignJet 755CM
Plotters/Printers

Service Manual

For HP Internal Use Only

© Copyright Hewlett-Packard Company 1996

This document contains proprietary information that is protected by copyright. All rights are reserved. No part of this document may be photocopied, reproduced, or translated into another language without the prior written consent of Hewlett-Packard Company.

HP internal order number
C4705-90000
Second edition, August 1996
Printed in U.S.A.

Warranty

The information contained in this document is subject to change without notice.

Hewlett-Packard makes no warranty of any kind with regard to this material, including, but not limited to, the implied warranties of merchantability and fitness for a particular purpose.

Hewlett-Packard shall not be liable for errors contained herein or for incidental or consequential damages in connection with the furnishing, performance, or use of this material.

WARNING

The procedures described in this manual are to be performed by HP-qualified service personnel only.

Electrical Shock Hazard

Serious shock hazard leading to death or injury may result if you do not take the following precautions:

- Ensure that the ac power outlet (mains) has a protective earth (ground) terminal.
- Disconnect the plotter from the power source prior to performing any maintenance.
- Prevent water or other liquids from running onto electrical components or circuits, or through openings in the enclosure.

Electrostatic Discharge

Refer to the beginning of Chapter 6 of this manual, for precautions you should take to prevent damage to the plotter circuits from electrostatic discharge.

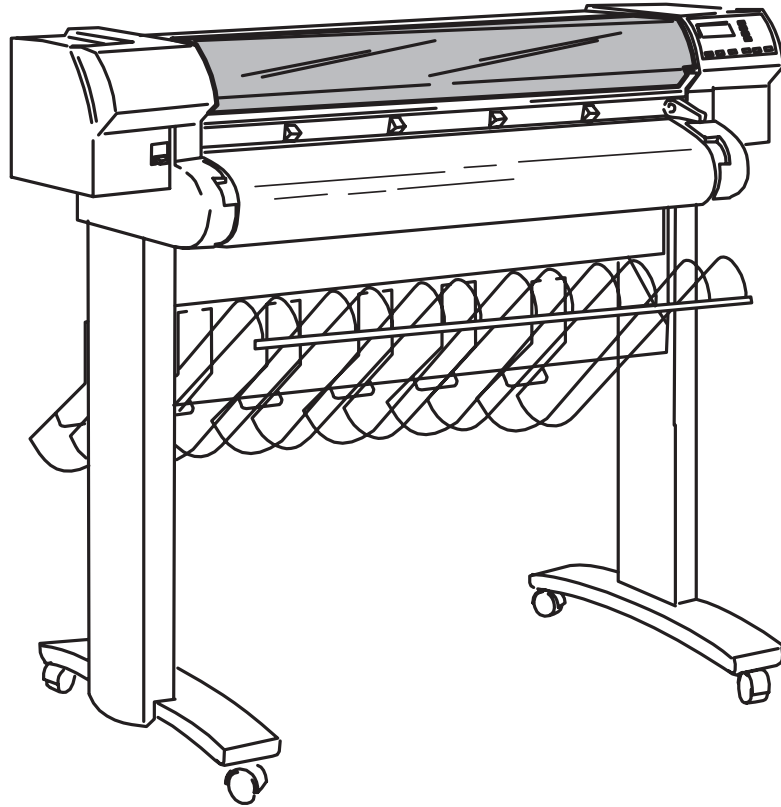
Safety Symbols

General definitions of safety symbols are given immediately after the table of contents.

Learning Products, Barcelona Division

Hewlett-Packard Española, S.A.
Avda. Graells, 501
08190 Sant Cugat del Vallès
Spain

Service Manual



HP DesignJet 700
HP DesignJet 750C
HP DesignJet 750C Plus and
HP DesignJet 755CM
Plotters/Printers

Using this Manual

Purpose

This manual contains information necessary to test, calibrate and service:

- HP DesignJet 700 plotters (models C4705A and C4706A)
- HP DesignJet 750C plotters (models C3195A and C3196A)
- HP DesignJet 750C Plus plotters (models C4708A and C4709A)
- HP DesignJet 755CM printers (models C3198A and C3198B)

For information about using these plotters/printers, refer to the corresponding user and quick-reference guides.

Readership

The procedures described in this manual are to be performed by HP-certified service personnel only.

Training

The HP ongoing training course CEV2-TIJ provides training for HP Customer Engineers and Authorized Dealers, on servicing the complete HP DesignJet series of large-format, thermal-inkjet plotters.

Part Numbers

Part numbers for plotter options, accessories and service parts are located in chapter 10.

Conventions

This manual contains information for the monochrome HP DesignJet 700 plotters, the color HP DesignJet 750C and 750C Plus plotters and the color HP DesignJet 755CM printers. To highlight the differences between the various plotters/printers the following symbols will be used in the left margin:



This symbol indicates the information specific only to a particular plotter/printer. The symbol will contain the name(s) of the plotter(s) that it is referring to.




Example: This text is applicable only to the HP DesignJet 750C Plus.

All other information not marked by these symbols is applicable to all plotters.

The term **D/A1-size plotters** refers generically to models C4705A, C3195A and C4708A

The term **E/A0-size plotters** refers generically to models C4706A, C3196A, C4709A, C3198A and C3198B.

A small arrow  is used to indicate other parts of the Service Manual or User's Guide where you can find information related to the topic you are consulting.

Contents

Using this Manual	ii
Safety Symbols	x

1 Product Information

Description	1-2
Applications	1-2
Drivers	1-2
Graphics Languages	1-2
Device-Control Languages	1-2
Interface	1-3
Network Connections	1-3
Memory	1-3
Accuracy	1-3
Resolution	1-4
Media Types	1-4
Media Sizes	1-5
Media Margins	1-5
Other Plotter Features	1-6
Upgrading	1-6

2 Site Planning and Requirements

Power Requirements	2-2
Choosing an Interface Cable	2-2
Choosing a Suitable Plotter Environment	2-3

3 Installation and Configuration

Unpacking and Assembling the Plotter/Printer	3-2
Inspecting the Plotter/Printer for Damage	3-5
Repacking the Plotter/Printer	3-5
Assembling the Legs and Media Bin (Optional)	3-6
Installing the Plotter/Printer	3-10
Using the Plotter	3-10
DesignJet 750C/750C Plus/755CM Front Panel	3-10
DesignJet 700 Front Panel	3-11
Third-Party Inks and Off-Axis Ink Systems	3-11
Configuring the Plotter/Printer	3-12
Verifying Plotter Operation	3-12
Power-On Self-Tests	3-12
Demonstration Plot	3-12
Example of the Current Configuration Sheet	3-13

4 Preventive Maintenance

Moisture on the Plotter/Printer	4-2
Noisy Carriage Bushing	4-2
Belt Swelling	4-2
Cleaning the Plotter	4-2
General Cleaning	4-2
Cleaning the Drive Roller	4-3
Scheduled Maintenance	4-4
Level of Plotter Usage	4-4
Implementation	4-4
Usage Information	4-4

5 Functional Overview

Introduction	5-2
Simplified Description of Circuits	5-2
Communications	5-2
Plotting	5-2
ASICs	5-4
Servo Processor	5-4
Stepper Motors	5-4
Cartridges	5-5
Mechanical Overview	5-5
Carriage-Axis Mechanism	5-5
Line Sensor	5-5
Media-Axis Mechanism	5-6
Primer Stepper Motor	5-6
Bail Stepper Motor	5-6
Wiper Stepper Motor	5-6
Fan	5-6
Window Sensor	5-6
Pinch-Wheel Sensor	5-6
Media Sensor	5-7
Drop Sensor	5-7
Primer-Cam Sensor	5-7
Printed Circuit Assembly (PCA) Overview	5-7
Main PCA	5-7
Carriage PCA	5-8
Line-Sensor PCA	5-9
Temperature-Sensor IC	5-9
Linear-Encoder IC	5-9
Print Control	5-9
PWM Signals	5-9
Front-Panel PCA	5-10
Drop Sensor PCA	5-10
Power-Supply PCA	5-10

6 Removal and Replacement

Contents	6-2
Safety Precautions	6-3
Electrostatic Discharge (ESD) Precautions	6-3
Reassembly	6-3
Required Tools	6-4
Repair Procedures	6-5
Removing the Electronics-Enclosure Cover	6-5
Removing a Memory Module (DRAM/ROM SIMM)	6-7
Reinstalling a Memory Module (DRAM/ROM SIMM):	6-8
Removing the Main PCA	6-9
Removing the Power-Supply PCA	6-11
Removing the Fan	6-12
Removing the Window	6-13
Removing the Center Cover	6-14
Removing the Left Endcover	6-16
Removing the Right Endcover	6-17
Removing the Front-Panel Assembly	6-18
Removing the Window Sensor	6-20
Removing the Pinch-Wheel Sensor	6-21
Removing the Media Sensor	6-22
Removing the Carriage (Y-Axis) Motor	6-24
Removing the Media (X-Axis) Motor	6-25
Removing the Encoder Strip	6-27
Reinstalling the Encoder Strip	6-29
Removing the Y-Tensioner Housing	6-31
Removing the Y-Axis Motor Holder	6-32
Removing the Cutter	6-33
Removing the Cartridge Carriage and Drive Belt	6-34
Removing the Trailing Cable	6-36
Reinstalling the Trailing Cable	6-39
Removing the Starguard Assembly	6-40
Removing the Primer	6-41
Removing the Service Station	6-42
Removing the Spittoon	6-44
Removing the Bail Assembly	6-45
Removing the Bail Stepper Motor	6-46
Removing the Cable Assembly	6-47
Removing the Overdrive Assembly	6-48
Removing the Drive Roller Assembly	6-49
Removing the Rollfeed Cover Assembly	6-51
Removing the Rollfeed Module Assemblies (Left and Right)	6-52
Removing the Entry Platen	6-53
Removing the Cutter-Enclosure Assembly	6-55
Removing the Media Diverter	6-56
Removing the Pinch-Arm Assemblies	6-57

7 Calibrations and Adjustments

Adjustments	7-2
Calibrations	7-2
Menu Path	7-3
Entering the Service Tests Menu System	7-3
Drop Detect Calibration	7-4
Line Sensor Calibration	7-5
Accuracy Calibration	7-6

8 Troubleshooting

Diagnostics - Self Test	8-2
Introduction	8-2
Initialization Sequences	8-2
Switch ON - Normal Behavior	8-2
Power-ON Self-Test & Mechanical Initialization	8-3
Service Tests and Error Messages	8-4
Front Panel Messages	8-5
Worded Error Messages	8-5
System Error Codes	8-9
Important Information on Troubleshooting Error Codes	8-9
Service Tests	8-17
Entering the Service Tests Menu System	8-20
1. EEROM	8-21
2. EEROM Clear Counters	8-22
3. EEROM Model Type	8-23
3. EEROM Model Type	8-23
4. MIO	8-24
5. Main PCA	8-25
6. Main-Carriage Com	8-26
7. Carriage	8-27
8. Thermal Control	8-28
9. TTOE	8-29
10. Pen Continuity	8-30
11. Pen ID	8-31
12. Nozzle Print Test	8-32
13. Mono PQ Plot	8-33
14. Color PQ Plot	8-34
15. Area fill PQ Plot	8-35
16. Pen Nozzle Detect	8-36
17. Drop Detector	8-37
18. Edge Detect	8-39
19. Pen Alignment	8-40
20. Ortho Wiper	8-41

21. Primer Test	8-42
22. X Motion Control	8-43
23. Mark Position	8-44
24. Y-Axis Friction	8-45
25. Y-Static Friction	8-46
26. Y-Axis Encoder	8-47
27. Cutter	8-48
28. Bail Stepper	8-49
29. Media Sensor	8-50
30. Window Sensor	8-51
31. Pinchwheel Sensor	8-52
32. Button Test	8-53
PC-Based Diagnostics	8-54
Troubleshooting Tips	8-55
Service Configuration Plot	8-56
EEROM Text Block	8-57
EEROM Map	8-58

9 Print Quality

Print Quality Troubleshooting Checklist	9-2
Print Modes	9-5
Print-Mode Characteristics	9-5
How do I select the print mode?	9-12
Print-Quality Diagnostic Plots	9-13
CAD 2-D Monochrome Plot	9-13
CAD Color Diagnostic Plot	9-15
Area-Fill Diagnostic Plot	9-17
Print Quality Problems	9-18
Cockle	9-18
Coalescence	9-18
Bleeding	9-19
Feathering	9-19
Migration (Black)	9-19
Halo	9-20
Banding	9-20

10 Product History and Service Notes

Introduction	10-2
Serial-Number Format	10-2
Identifying a Printed Circuit Assembly	10-3
Part Number	10-3
Revision Letter	10-3
Firmware Revision Level	10-3
Plotter Support Information on the World Wide Web	10-4
Service Notes	10-5
Firmware History for HP DesignJets 750C and 755CM (Model A)	10-5
Problems with the Entry Platen	10-10
Problems that Cause Paper Advance Errors	10-12
The Aerosol Phenomena Causing a Servo Shutdown Error	10-14
Longer Screws Make Legs More Stable	10-16
Install a Line on the Mark Encoder	10-18
Problems with Pen Alignment	10-20
Air Flow from the Fan can Cause Spray and Misdirection	10-22

11 Parts and Diagrams

Legs	11-2
Window and Back Cover Assemblies	11-4
Electronics Enclosure	11-6
Electronics Enclosure (Continued)	11-8
Carriage-Axis	11-10
Carriage-Axis (Continued)	11-12
Left End-Cover and Trim	11-14
Right End-Cover and Trim	11-16
Roll-Feed Components	11-18
Service Station and Primer Assembly	11-20
Carriage Assembly	11-22
Media Entry Path	11-24
Media Entry Path (Continued)	11-26
Bail and Overdrive	11-28
Pinch-Arm Assembly	11-30
Stardguard Assembly	11-32
Accessories	11-34
Interface Cables	11-37

For the complete PDF manual
please visit www.LaserPros.com

12 Support Services

Hewlett-Packard support services in the United States	11-2
Hewlett-Packard support services in Europe	11-4
Hewlett-Packard support services in Asia-Pacific	11-8