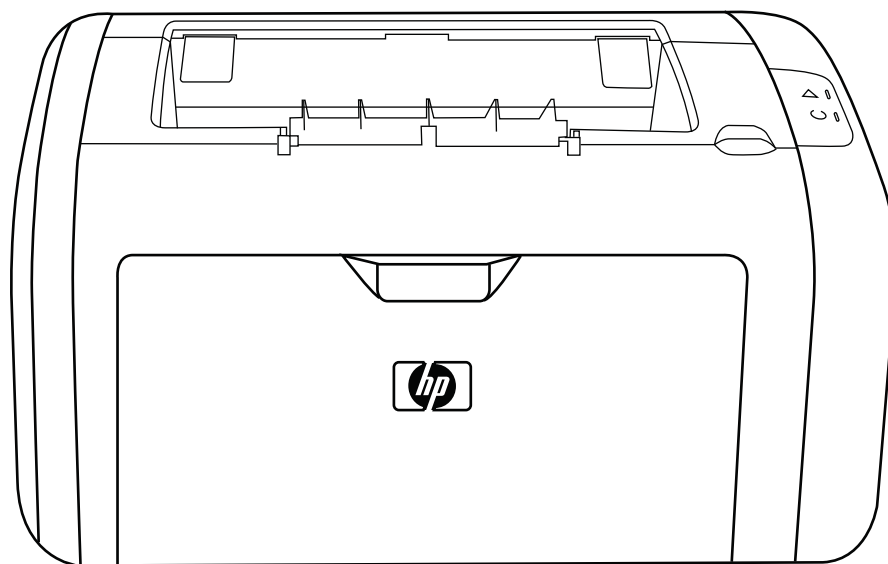


HP LaserJet 1010, 1012, 1015 and 1020 Service Manual

For the complete PDF manual
please visit www.LaserPros.com.



HP LaserJet 1010 series printers and HP LaserJet 1020 printer

Service Manual



Copyright Information

© 2005 Copyright Hewlett-Packard Development Company, L.P.

Reproduction, adaptation or translation without prior written permission is prohibited except as allowed under the copyright laws.

The information contained in this document is subject to change without notice.

The only warranties for HP products and services are set forth in the express warranty statements accompanying such products and services. Nothing herein should be construed as constituting an additional warranty. HP shall not be liable for technical or editorial errors or omissions contained herein.

Part number Q5911-90945

Edition 1, 4/2005

Information regarding FCC Class B, Parts 15 and 68 requirements can be found in the user guide.

NOTICE TO U.S. GOVERNMENT USERS: RESTRICTED RIGHTS COMMERCIAL COMPUTER SOFTWARE: "Use, duplication, or disclosure by the Government is subject to restrictions as set forth in subparagraph (c) (1)(ii) of the Rights in Technical Data Clause at DFARS 52.227-7013."

Trademark Credits

Microsoft® and Windows® are U.S. registered trademarks of the Microsoft company.

Safety Information

WARNING!

Potential Shock Hazard

Always follow basic safety precautions when using this product to reduce risk of injury from fire or electric shock.

Read and understand all instructions in the user guide.

Observe all warnings and instructions marked on the product.

Use only a grounded electrical outlet when connecting the HP LaserJet 1010 series printer or HP LaserJet 1020 printer to a power source. If you don't know whether the outlet is grounded, check with a qualified electrician.

Do not touch the contacts on the end of any of the sockets on the HP LaserJet 1010 series printer or HP LaserJet 1020 printer. Replace damaged cords immediately.

Unplug this product from wall outlets before cleaning or servicing.

Do not install or use this product near water or when you are wet.

Install the product securely on a stable surface.

Install the product in a protected location where no one can step on or trip over the power cord and the power cord will not be damaged.

If the product does not operate normally, see the online user guide.

Table of contents

1 Product Information

Product configurations.....	2
HP LaserJet 1010 printer.....	2
HP LaserJet 1012 printer.....	2
HP LaserJet 1015 printer.....	2
HP LaserJet 1020 printer.....	3
Overview of product.....	4
HP LaserJet 1010 series printers.....	4
HP LaserJet 1020 printer.....	6
Model and serial numbers.....	7
Hardware description.....	7
Firmware description	8
Product specifications.....	9
Physical specifications.....	9
Printer performance.....	9
Environmental specifications.....	9
Electrical specifications.....	10
Acoustic emissions.....	11
Extended warranty.....	12
Print-cartridge information	13
Refilled print cartridges	13
Recycling print cartridges	13
Regulatory information.....	14
FCC compliance.....	14
Canadian DOC regulations.....	14
Korean EMI statement.....	14
Laser statement for Finland.....	15
.....	15

2 Installation and operation

Operating environment	18
Identifying the control-panel components.....	19
Media specifications.....	21
Supported media sizes.....	21
Guidelines for using media.....	22
Paper and transparencies	22
Common media problems table	22
Labels.....	23
Envelopes	23

Envelopes with double-side seams.....	23
Envelopes with adhesive strips or flaps.....	24
Card stock and heavy media	24
Card-stock construction.....	24
Card-stock guidelines.....	24
Loading media.....	25
Main input tray.....	25
Priority feed slot.....	25
Specific types of media	25
Setting media types.....	26
Set the media type.....	26

3 Maintenance

Life expectancies of parts that wear	28
Cleaning the product.....	30
Cleaning the print path.....	31
Cleaning the print-cartridge area.....	32
Cleaning the pickup roller.....	34
User-replaceable parts	35
Replacing the pickup roller.....	35
Replacing the separation pad.....	38
Replacing the main input tray (paper-pickup tray assembly).....	40
Replacing the output-bin extension (delivery-tray assembly).....	41
Jams.....	42
Clearing jams.....	42
Typical media jam locations.....	42
Removing a jammed page.....	43

4 Operational overview

Basic functions.....	46
Formatter system.....	47
Central processing unit	47
RAM.....	47
USB interface.....	47
Parallel interface (HP LaserJet 1015 printer only).....	47
Control panel.....	47
Draft mode (EconoMode).....	48
HP Memory Enhancement technology (MET).....	48
Enhanced I/O	48
PJL overview	49
Printer functions.....	50
Engine control system (engine control unit and power assembly).....	50
Printer-engine-control system.....	51
Printer laser/scanner unit	52
Power system on the engine power assembly.....	53
Image-formation system.....	54
The seven image-formation processes	55
Print cartridge.....	56
Printer paper-feed system.....	56
Jam detection	58

Conditions of jam detection.....	58
Solenoid, sensors, switches, and motor.....	58
Basic sequence of operation (formatter-to-printer).....	60

5 Removal and replacement

Removal and replacement strategy.....	64
Required tools	64
Before performing service.....	64
Print cartridge	65
Differences between the HP LJ 1010 series printer models.....	66
Parts removal order	67
User-replaceable parts	68
Replacing the pickup roller	68
Replacing the separation pad.....	71
Replacing the main input tray (paper-pickup tray assembly).....	73
Replacing the output-bin extension (delivery-tray assembly).....	74
Covers.....	75
Right-side cover.....	75
Left-side cover.....	77
Rear panel and top-cover assembly.....	77
Front cover.....	82
Internal assemblies.....	84
Transfer-roller assembly.....	84
Engine-power assembly.....	87
Fuser (fixing) assembly.....	89
Paper-pickup assembly.....	91
Engine control unit (ECU) assembly.....	92
Laser/scanner assembly.....	96

6 Troubleshooting

Basic troubleshooting.....	98
Troubleshooting checklist.....	98
Control-panel power-on functions (HP LaserJet 1010 series printers).....	100
Control-panel pages (HP LaserJet 1010 series printers only).....	101
Control-panel lights (HP LaserJet 1010 series printers).....	102
Control-panel light patterns (HP LJ 1010 series printers).....	102
Fatal errors (HP LJ 1010 series printers).....	105
Control-panel lights (HP LaserJet 1020 printer).....	106
Status-light patterns.....	106
Jams.....	108
Clearing jams.....	108
Typical media jam locations.....	108
Removing a jammed page.....	108
Print-quality troubleshooting.....	111
Print-cartridge problems.....	111
Checking the print cartridge.....	111
To redistribute toner in the print cartridge.....	111
Solving print-quality problems.....	111
Solving paper-feed problems.....	122
Functional checks.....	124

Half self-test functional check.....	124
To perform a half self-test check.....	124
To perform other checks.....	124
Drum-rotation functional check	126
High-voltage-contacts check.....	127
To check the print-cartridge contacts	127
To check the printer high-voltage contacts	128
Troubleshooting tools.....	129
Repetitive-image-defect ruler.....	129
Circuit diagram	130
Solenoid, sensors, switches, and motor.....	131

7 Parts and diagrams

Ordering parts and supplies.....	134
Parts.....	134
Related documentation and software.....	134
Parts that wear	134
Accessories and consumables.....	135
Accessories.....	135
Common hardware	137
How to use the parts lists and diagrams.....	137
Printer exchange/parts.....	138
Major components.....	140
Alphabetical parts list.....	143
Numerical parts list.....	146

Index.....	149
-------------------	------------

For the complete PDF manual
please visit www.LaserPros.com.