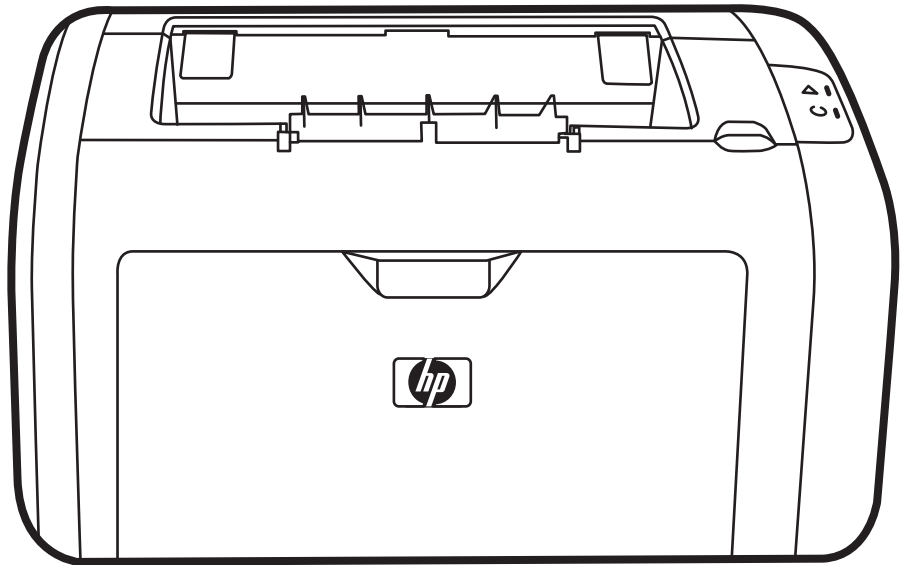


HP LaserJet 1018

Service Manual

For the complete PDF manual
please visit www.LaserPros.com.



HP LaserJet 1018 printer

Service Manual



Copyright Information

© 2006 Copyright Hewlett-Packard Development Company, L.P.

Reproduction, adaptation or translation without prior written permission is prohibited except as allowed under the copyright laws.

The information contained in this document is subject to change without notice.

The only warranties for HP products and services are set forth in the express warranty statements accompanying such products and services. Nothing herein should be construed as constituting an additional warranty. HP shall not be liable for technical or editorial errors or omissions contained herein.

Part number CB419-90938

Edition 1, 4/2006

Information regarding FCC Class B, Parts 15 and 68 requirements can be found in the user guide.

NOTICE TO U.S. GOVERNMENT USERS: RESTRICTED RIGHTS COMMERCIAL COMPUTER SOFTWARE: "Use, duplication, or disclosure by the Government is subject to restrictions as set forth in subparagraph (c) (1)(ii) of the Rights in Technical Data Clause at DFARS 52.227-7013."

Trademark Credits

Microsoft® and Windows® are U.S. registered trademarks of the Microsoft company.

Safety Information

WARNING!

Potential Shock Hazard

Always follow basic safety precautions when using this product to reduce risk of injury from fire or electric shock.

Read and understand all instructions in the user guide.

Observe all warnings and instructions marked on the product.

Use only a grounded electrical outlet when connecting the HP LaserJet 1018 printer to a power source. If you don't know whether the outlet is grounded, check with a qualified electrician.

Do not touch the contacts on the end of any of the sockets on the HP LaserJet 1018 printer. Replace damaged cords immediately.

Unplug this product from wall outlets before cleaning or servicing.

Do not install or use this product near water or when you are wet.

Install the product securely on a stable surface.

Install the product in a protected location where no one can step on or trip over the power cord and the power cord will not be damaged.

If the product does not operate normally, see the online user guide (CB419-90901).

Table of contents

1 Product Information

Product configuration	2
Overview of product	3
HP LaserJet 1018 printer	3
Model and serial numbers	5
Hardware description	5
Firmware description	5
Product specifications	6
Physical specifications	6
Printer performance	6
Environmental specifications	6
Electrical specifications	7
Acoustic emissions	8
Extended service plan	9
Print-cartridge information	10
Refilled print cartridges	10
Recycling print cartridges	10
Regulatory information	11
FCC compliance	11
Canadian DOC regulations	11
Korean EMI statement	11
Laser statement for Finland	12

2 Installation and operation

Operating environment	14
Identifying the control-panel components	15
Media specifications	16
Supported media sizes	16
Guidelines for using media	17
Paper and transparencies	17
Common media problems table	17
Labels	18
Envelopes	18
Envelopes with double-side seams	18
Envelopes with adhesive strips or flaps	19
Card stock and heavy media	20
Card-stock construction	20
Card-stock guidelines	20
Loading media	21

Main input tray	21
Priority feed slot	21
Specific types of media	21
Setting media types	22
Set the media type	22

3 Maintenance

Life expectancies of parts that wear	24
Cleaning the product	25
Cleaning the print path	26
Cleaning the print-cartridge area	26
Cleaning the pickup roller	29
User-replaceable parts	30
Replacing the pickup roller	30
Replacing the separation pad	33
Replacing the main input tray (paper-pickup tray assembly)	35
Replacing the output-bin extension (delivery-tray assembly)	36

4 Operational overview

Basic functions	38
Formatter system	39
Central processing unit	39
RAM	39
USB interface	39
Control panel	39
Draft mode (EconoMode)	39
HP Memory Enhancement technology (MEt)	39
Enhanced I/O	40
Printer functions	41
Engine control system (engine control unit and power assembly)	42
Printer-engine-control system	42
Printer laser/scanner unit	43
Power system on the engine power assembly	44
Image-formation system	45
The seven image-formation processes	46
Print cartridge	47
Printer paper-feed system	47
Jam detection	49
Conditions of jam detection	49
Solenoid, sensors, switches, and motor	50
Basic sequence of operation (formatter-to-printer)	51

5 Removal and replacement

Removal and replacement strategy	54
Required tools	54
Before performing service	54
Print cartridge	55
Parts removal order	56
User-replaceable parts	57

Replacing the pickup roller	57
Replacing the separation pad	60
Replacing the main input tray (paper-pickup tray assembly)	62
Replacing the output-bin extension (delivery-tray assembly)	63
Covers	64
Right-side cover	64
Left-side cover	66
Rear panel and top-cover assembly	66
Front cover	71
Internal assemblies	73
Transfer-roller assembly	73
Engine-power assembly	75
Fuser (fixing) assembly	77
Paper-pickup assembly	79
Engine control unit (ECU) assembly	80
Laser/scanner assembly	84

6 Troubleshooting

Basic troubleshooting	86
Troubleshooting checklist	86
Control-panel lights	88
Status-light patterns	88
Jams	90
Clearing jams	90
Typical media jam locations	90
Removing a jammed page	90
Print-quality troubleshooting	93
Print-cartridge problems	93
Checking the print cartridge	93
To redistribute toner in the print cartridge	93
Solving print-quality problems	93
Solving paper-feed problems	105
Functional checks	107
Half self-test functional check	107
To perform a half self-test check	107
To perform other checks	107
Drum-rotation functional check	109
High-voltage-contacts check	110
To check the print-cartridge contacts	110
To check the printer high-voltage contacts	111
Troubleshooting tools	112
Repetitive-image-defect ruler	112
Circuit diagram	113
Solenoid, sensors, switches, and motor	114

7 Parts and diagrams

Ordering parts and supplies	116
Parts	116
Related documentation and software	116
Parts that wear	116

Accessories and consumables	117
Accessories	117
Common hardware	118
How to use the parts lists and diagrams	118
Printer exchange/parts	119
Major components	122
Alphabetical parts list	124
Numerical parts list	126
Index	129

For the complete PDF manual
please visit www.LaserPros.com.