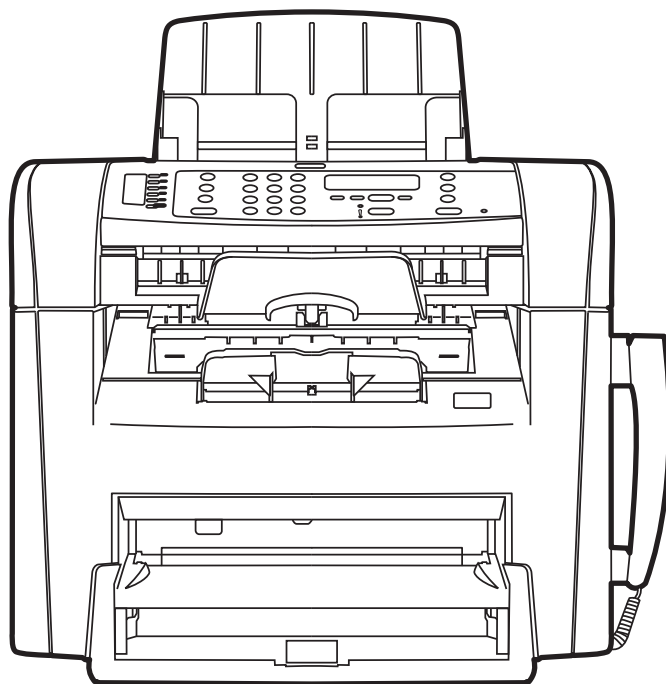


HP LaserJet M1319 MFP Series

Service Manual



For the complete PDF manual
please visit www.LaserPros.com.



HP LaserJet M1319 MFP Series
Service Manual



Copyright information

© 2008 Copyright Hewlett-Packard Development Company, L.P.

Reproduction, adaptation, or translation without prior written permission is prohibited, except as allowed under the copyright laws.

The information contained herein is subject to change without notice.

The only warranties for HP products and services are set forth in the express warranty statements accompanying such products and services. Nothing herein should be construed as constituting an additional warranty. HP shall not be liable for technical or editorial errors or omissions contained herein.

Part number CB536-90938

Edition 1, 4/2008

Safety information

WARNING!

Potential Shock Hazard

Always follow basic safety precautions when using the product to reduce risk of injury from fire or electric shock.

Read and understand all instructions in the user guide.

Observe all warnings and instructions marked on the product.

Use only a grounded electrical outlet when connecting the product to a power source. If you do not know whether the outlet is grounded, check with a qualified electrician.

Do not touch the contacts on the end of any of the sockets on the product. Replace damaged cords immediately.

Unplug the product from wall outlets before cleaning.

Do not install or use the product near water or when you are wet.

Install the product securely on a stable surface.

Install the product in a protected location where no one can step on or trip over the power cord and where the power cord will not be damaged.

If the product does not operate normally, see the online user guide.

Refer all servicing questions to qualified personnel.

Information regarding FCC Class B, Parts 15 and 68 requirements can be found in the user guide.

Trademark credits

Microsoft® and Windows® are U.S. registered trademarks of Microsoft Corporation.

Windows Vista® is either a registered trademark or trademark of Microsoft Corporation in the United States and/or other countries.

Intel® Core™ is a trademark of Intel Corporation in the U.S. and other countries.

Table of contents

1 Product information

Quick access to product information	2
Product configuration	3
Configuration table	3
Features table	3
Product walkaround	5
Front view	5
Back view	6
Interface ports	6
Location of serial number and model number	7
Supported operating systems	8
Software included with the product	8
Easy installation for Windows	8
Advanced installation	8
Macintosh software	9
Supported printer drivers	9
Connectivity	9
Connect the product directly to a computer with USB	9

2 Control panel

Control panel walkaround	12
Control-panel menus	13
Use the control-panel menus	13
Control-panel main menus	13

3 Paper and print media

Supported paper and print media sizes	22
Load paper and print media	23
Priority input tray	23
Tray 1	24
Configure trays	24

4 Manage and maintain

Information pages	26
-------------------------	----

Use the HP Toolbox software	27
View HP Toolbox	27
Status	27
Fax	28
Fax tasks	28
Fax phone book	28
Fax send log	30
Fax receive log	30
Other Links	30
Manage supplies	31
Check and order supplies	31
Check supplies status by using the control panel	31
Store supplies	32
HP policy on non-HP supplies	32
HP fraud hotline	32
Recycle supplies	32
Replace supplies	33
Print cartridge	33
Clean the product	35
Clean the paper path	35
Clean the glass and white platen	35
Clean the exterior	36
Firmware updates	36

5 Operational theory

Basic operation	38
Sequence of operation	39
Sequence of operation, scanner	39
Sequence of operation, product base	40
Formatter system	41
Central processing unit	41
Fax card	41
Standard startup process	42
Product startup messages	42
RAM	42
USB interface	42
Control panel	42
Product base functions	43
Engine control system (engine control unit and power-supply assembly)	44
Print-engine control system	44
Product base laser/scanner	45
Power system on the power-supply assembly	46
AC power distribution	46

DC power distribution	46
Overcurrent/overvoltage	46
High-voltage power distribution	47
Image-formation system	48
The seven image-formation processes	48
Print cartridge	49
Product base paper-feed system	49
Jam detection in the product	51
Conditions of jam detection	51
HP LaserJet M1319f components	52
Basic operation	52
ADF pickup-and-feed system	54
Optical scanning system	56
Fax functions and operation	58
Computer and network security features	58
PSTN operation	58
Receive faxes when you hear fax tones	59
Distinctive ring function	59
Fax by using Voice over IP services	59
The fax subsystem	60
Fax card in the fax subsystem	60
Safety isolation	60
Safety-protection circuitry	60
Data path	61
Hook state	61
Downstream device detection	61
Hook switch control	62
Ring detect	62
Line current control	62
Billing- (metering-) tone filters	62
Fax page storage in flash memory	62
Stored fax pages	62
Advantages of flash memory storage	63

6 Removal and replacement

Removal and replacement strategy	66
Warnings, cautions, notes, and tips	66
Electrostatic discharge	66
Required tools	67
Types of screws	67
Service approach	68
Before performing service	68
After performing service	69

Post-service tests	69
Test 1 (print-quality test)	69
Test 2 (copy-quality test)	69
Test 3 (fax-quality test)	70
Parts removal order	71
Scanner assemblies	73
Link assemblies and scanner support-frame spring	73
Scanner side covers	76
Separation-pad set	78
Top cover, control panel	79
Control-panel assembly	81
Media lever and media-lever torsion spring	82
Separation-pad assembly	83
Scanner assembly	85
Scanner assembly top cover	93
Top-cover assembly	96
Pickup roller	97
White platen	98
Product base	99
Handset	99
Separation pad	100
Print cartridge	101
Pickup roller	102
Installing the scanner cushions	105
Media input tray	106
Transfer roller	108
Side covers	110
Print-cartridge door	112
Rear cover and fuser cover	113
Front cover	115
Speaker assembly	118
Power supply	119
Formatter and fax card	122
Scanner support-frame	124
Engine controller unit (ECU)	127
Laser/scanner assembly	131
Main motor	132
Fuser	134
Paper-pickup assembly	136

7 Solve problems

Problem-solving checklist	138
Menu map	140

Print a menu map	140
Tools for troubleshooting	141
Component tests	141
Drum rotation test	141
Half self-test functional check	142
Perform a half self-test check	142
Perform other checks	142
Heating element check	143
High-voltage contacts check	143
Check the print-cartridge contacts	143
Check the high-voltage connector assembly	143
Problem-solving diagrams	144
Repetitive image defects	144
Component locations	145
Timing diagram, product base	148
Main wiring	148
Formatter PCA and fax card connectors	151
Control-panel messages	154
Solve control-panel display problems	154
Alert and warning messages	154
Alert and warning message tables	154
Critical error messages	156
Critical error message-tables	156
Solve paper-handling problems	159
Clear jams	159
Causes of jams	159
Where to look for jams	160
Clear jams from the ADF	160
Clear jams from the input-tray areas	161
Clear jams from the output bin	163
Clear jams from the print-cartridge area	164
Avoid repeated jams	165
Media-handling problems	165
Print-media guidelines	165
Solve print-media problems	166
Performance problems	167
Solve image-quality problems	169
Print-quality problems	169
Improve print quality	169
Print-quality settings	169
Checking the print cartridge	170
To redistribute the toner in the print cartridge	170
Identify and correct print defects	170
Print-quality checklist	170

General print-quality issues	170
Solve copy problems	175
Prevent copy problems	175
Image problems	175
Media-handling problems	176
Performance problems	178
Solve scan problems	179
Solve scanned-image problems	179
Scan-quality problems	180
Prevent scan-quality problems	180
Solve scan-quality problems	180
Solve control-panel display problems	181
Solve connectivity problems	182
Solve direct-connection problems	182
Solve DSL problems	183
PBX line problems	183
Solve fax with Voice over IP services problems	184
Service-mode functions	185
NVRAM initialization	185
Super NVRAM initialization	185
Password reset or bypass	185
Service menu	186
Secondary service menu	187
Solve fax problems	188
General fax troubleshooting	188
Fax error messages	190
Alert and warning message tables	190
Fax memory is retained when there is a loss of power	194
Fax logs and reports	194
Print all fax reports	194
Print individual fax reports	194
Set the fax activity log to print automatically	195
Set the fax error report	195
Set the fax confirmation report	196
Include the first page of each fax on the fax confirmation, fax error, and last call reports	196
Change error correction and fax speed	196
Set the fax-error-correction mode	196
Change the fax speed	197
Problems sending faxes	197
Problems receiving faxes	200
Performance problems	202

Ordering information	204
Supplies and hinge tool	204
Cable and interface accessories	204
Whole unit replacement	205
Control-panel overlay	207
Supplementary documentation and support	209
Parts lists and diagrams	211
Screws	211
Scanner components and handset	212
External assemblies	212
ADF components	214
Frame assembly	216
Guide assembly	218
Product base	220
External assemblies and print cartridge	220
External covers	222
Formatter and fax card	224
Internal components	226
Alphabetical parts list	232
Numerical parts list	236

Appendix A Service and support

Hewlett-Packard limited warranty statement	241
Customer self repair warranty service	242
Print cartridge limited warranty statement	243
Customer support	243
Repack the device	244

Appendix B Specifications

Physical specifications	246
Electrical specifications	246
Power consumption	246
Environmental specifications	247
Acoustic emissions	247

Appendix C Regulatory information

FCC compliance	250
Telephone Consumer Protection Act (United States)	251
IC CS-03 requirements	251
EU statement for telecom operation	252
New Zealand telecom statements	252
Declaration of conformity	253
Certificate of Volatility	254

Safety statements	255
Laser safety	255
Canadian DOC regulations	255
EMI statement (Korea)	255
Laser statement for Finland	256
Substances table (China)	257

Index	259
--------------------	------------

For the complete PDF manual
please visit www.LaserPros.com.