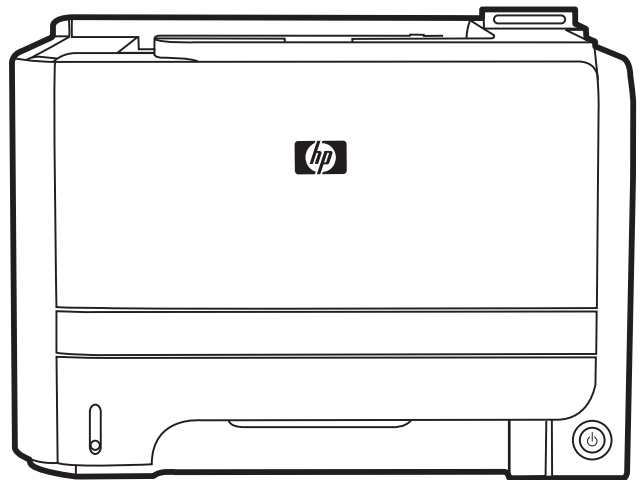
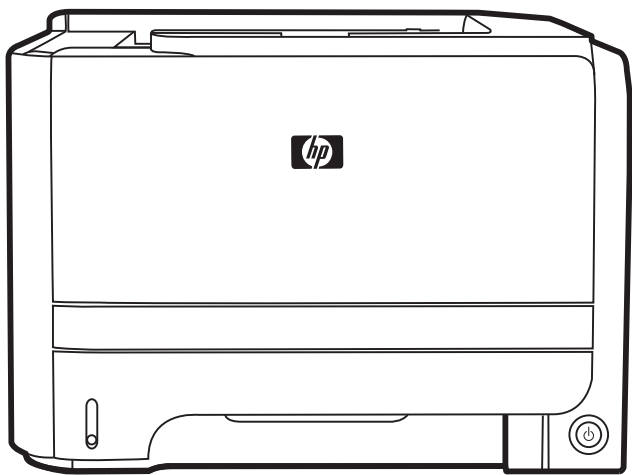


HP LaserJet P2050 and P2030 Series Printers

Service Manual



For the complete PDF manual
please visit www.LaserPros.com.



HP LaserJet P2030 Series and HP LaserJet
P2050 Series Printers
Service Manual



Copyright and License

© 2008 Copyright Hewlett-Packard Development Company, L.P.

Reproduction, adaptation, or translation without prior written permission is prohibited, except as allowed under the copyright laws.

The information contained herein is subject to change without notice.

The only warranties for HP products and services are set forth in the express warranty statements accompanying such products and services. Nothing herein should be construed as constituting an additional warranty. HP shall not be liable for technical or editorial errors or omissions contained herein.

Part number: CE457-90980

Edition 1, 10/2008

Trademark Credits

Adobe®, Acrobat®, and PostScript® are trademarks of Adobe Systems Incorporated.

Intel® Core™ is a trademark of Intel Corporation in the U.S. and other countries/regions.

Microsoft®, Windows®, and Windows®XP are U.S. registered trademarks of Microsoft Corporation.

Windows Vista® is either a registered trademark or trademark of Microsoft Corporation in the United States and/or other countries.

UNIX® is a registered trademark of The Open Group.

ENERGY STAR and the ENERGY STAR mark are registered U.S. marks.

Table of contents

1 Product basics

Product comparison	2
HP LaserJet P2050 Series Printers	2
HP LaserJet P2030 Series Printers	3
Product features	4
HP LaserJet P2050 Series Printers	4
HP LaserJet P2030 Series Printers	5
Product walkaround	6
HP LaserJet P2050 Series Printers	6
Front view	6
Rear view	7
Interface ports	8
Model and serial number label	8
HP LaserJet P2030 Series Printers	9
Front view	9
Rear view	10
Interface ports	11
Model and serial-number label location	12
Supported product software	13
Software included with the product	13
Software installation types for Windows	13
Macintosh software	13
Supported printer drivers for Windows (HP LaserJet P2050 Series Printers)	13
Supported printer drivers for Windows (HP LaserJet P2030 Series Printers)	13
Supported printer drivers for Macintosh (HP LaserJet P2050 Series Printers only)	13
Supported printer drivers for Macintosh (HP LaserJet P2030 Series Printers only)	14
Other software provided	14
Software for Windows	14
HP ToolboxFX (HP LaserJet P2050 Series Printers only)	14
Status Alerts software (HP LaserJet P2030 Series Printers only)	14
Software for networks	14
HP Web Jetadmin	14
Embedded Web server (HP LaserJet P2055dn, HP LaserJet P2055x, and HP LaserJet P2035n printers only)	14

Software for other operating systems	15
System minimum requirements	16
Windows requirements	16
Macintosh requirements	16
Connectivity	17
Supported networks (HP LaserJet P2050 Series Printers)	17
Supported network (HP LaserJet P2030 Series Printers)	18

2 Control panel

Control panel (HP LaserJet P2050 Series Printers only)	22
Control-panel layout	22
Use the control-panel menus	23
Use the menus	23
Reports menu	24
System setup menu	25
Service menu	27
Network config. menu (HP LaserJet P2055dn and HP LaserJet P2055x only)	28
Control panel (HP LaserJet P2030 Series Printers only)	30

3 Paper and print media

Supported paper and print media	32
Paper for the HP LaserJet P2050 Series Printers	32
Supported paper and print media sizes	32
Supported paper and print media types	33
Tray and bin capacity	34
Paper for the HP LaserJet P2030 Series Printers	34
Supported paper and print media sizes	34
Supported paper and print media types	36
Tray and bin capacity	37
Load paper and print media	38
Load trays	38
Paper orientation for loading trays	38
Tray 1	39
Tray 2	40
Load A6-size paper	40
Optional Tray 3 (HP LaserJet P2050 Series Printers only)	41
Load A6-size paper	41
Manual feed	42
Configure trays	43
Configure trays (HP LaserJet P2050 Series Printers only)	43
Configure trays (HP LaserJet P2030 Series Printers only)	43
Use paper output options	44
Print to the top (standard) output bin	44

Print to the straight-through paper path (rear output)	45
--	----

4 Manage and maintain

Print the information pages	48
Print the information pages (HP LaserJet P2050 Series Printers only)	48
Print the information pages (HP LaserJet P2030 Series Printers only)	48
Demo page	48
Configuration page	49
Supplies Status page	49
Use the HP ToolboxFX software (HP LaserJet P2050 Series Printers only)	50
View HP ToolboxFX	50
Status	51
Event log	51
Alerts	52
Set up Status Alerts	52
Set up E-mail Alerts	52
Help	52
Device Settings	53
Device Information	53
Paper Handling	54
Printing	54
PCL6	54
PCL5c	54
PostScript	54
Print quality	54
Paper Types	55
System Setup	55
Troubleshooting	55
Network Settings	55
Shop for Supplies	55
Other Links	55
Manage a network product	57
Embedded Web server (HP LaserJet P2055dn, HP LaserJet P2055x, and HP LaserJet P2035n only)	57
Open the embedded Web server	57
Status tab	57
Settings tab	58
Networking tab	58
Links	58
Use HP Web Jetadmin software	58
Use security features	58
Secure the embedded Web server	58
Manage supplies	59
Supplies life	59

Manage the print cartridge	59
Print-cartridge storage	59
Use genuine HP print cartridges	59
HP policy on non-HP print cartridges	59
Print-cartridge authentication	59
HP fraud hotline and Web site	59
Replace supplies and parts	61
Supply replacement guidelines	61
Redistribute toner	61
Change the print cartridge	62
Install memory (HP LaserJet P2050 Series Printers only)	64
Install product memory	64
Check DIMM installation	67
Save resources (permanent resources)	67
Enable memory for Windows	68
Clean the product	69
Clean the print-cartridge area	69
Clean the paper path (HP LaserJet P2050 Series Printers only)	70
Clean the paper path (HP LaserJet P2030 Series Printers only)	70
Clean the Tray 1 pickup roller	71
Clean the Tray 2 pickup roller	75

5 Theory of operation

Introduction	80
Internal components	81
Timing	83
Engine control system	84
DC controller	85
Low-voltage power supply	85
High-voltage power supply	86
Laser/scanner system	88
Laser failure detection	89
Image-formation system	90
Pickup/feed/delivery system	94
Jam detection	95

6 Removal and replacement

Introduction	98
Removal and replacement strategy	98
Electrostatic discharge	98
Required tools	99
Before performing service	100
After performing service	100

Post-service test	101
Print-quality test	101
Print cartridge	102
Tray 2 cassette	103
Rollers and pads	104
Pickup roller; Tray 1	104
Pickup roller assembly; Tray 2	107
Separation-pad assembly; Tray 2	110
Transfer roller	111
External panels, covers, and doors	114
DIMM door (HP LaserJet P2050 Series only)	114
Right cover	115
Reinstall the right cover	117
Left cover	118
Rear cover, rear door, and duplex-paper-feed assembly	120
Top-cover assembly	124
Cartridge-door assembly and front cover	127
Reinstall the cartridge-door assembly and front cover	129
Internal assemblies	130
Formatter PCA; HP LaserJet P2030 Series	130
Formatter PCA; HP LaserJet P2050 Series	132
Paper-pickup-gear assembly	134
Reinstall the paper-pickup-gear assembly	135
Cartridge-door switch	137
Tray 1 pickup solenoid	138
Fan	140
Reverse-sensor assembly; HP LaserJet P2050 Series	142
Power-switch assembly	144
Connecting PCA	147
Inlet-cable assembly	150
Registration assembly	152
Laser/scanner assembly	156
Fuser	158
Reinstall the fuser	162
Engine controller unit (ECU)	163
Reinstall the ECU	170
Paper-feed-guide assembly	172
Main motor	174
Face-down-drive or duplexing-paper-feed assembly	177
Duplex solenoid; HP LaserJet P2050 Series	180
Paper-retaining-delivery assembly	181

7 Solve problems

Solve general problems	186
Troubleshooting checklist	186
Factors that affect product performance	187
Basic problem solving	188
Menu map (HP LaserJet P2050 Series Printers only)	190
Troubleshooting process	191
Pre-troubleshooting checklist	191
Tools for troubleshooting	193
Continuous self-test (HP LaserJet P2050 Series only)	193
Half self-test functional check	193
Drum rotation functional check	193
Heating element check	194
High-voltage contacts check	194
Checking the print cartridge contacts	194
Component locations	196
Problem-solve diagrams	202
Repetitive image defect ruler	202
Engine controller PCA	203
Major components	205
PCAs	206
General timing chart	207
Circuit diagram	207
Status-light patterns (HP LaserJet P2030 Series Printers only)	209
Status-alert messages (HP LaserJet P2030 Series Printers only)	215
Interpret control-panel messages (HP LaserJet P2050 Series Printers only)	219
Control-panel messages	219
Event-log messages	227
Print the event log (HP LaserJet P2050 Series Printers only)	227
Print an event log (HP LaserJet P2030 Series Printers only)	227
Event log messages	227
Paper-handling problems	229
Jams	229
Common causes of jams	229
Jam locations	230
Clear jams	230
Internal areas	230
Input trays	235
Output bins	239
Solve image-quality problems	241
Printed page is different from what appeared onscreen	241
Image defect examples	242
Light print or faded	242
Toner specks	243
Dropouts	243

Vertical lines	243
Gray background	243
Toner smear	244
Loose toner	244
Vertical repetitive defects	244
Misformed characters	244
Page skew	245
Curl or wave	245
Wrinkles or creases	245
Toner scatter outline	246
Solve print-quality problems	247
Print-quality problems associated with paper	247
Print-quality problems associated with the environment	247
Print-quality problems associated with jams	247
Solve performance problems	248
Solve connectivity problems	249
Solve direct-connect problems	249
Solve network problems	249
Service mode functions	250
Secondary service menu (HP LaserJet P2050 Series Printers only)	250
Open the secondary service menu	250
Secondary service menu structure	250
Engine resets	251
Engine test page	251
Restore defaults	251
NVRAM initialization (HP LaserJet P2050 Series Printers only)	251

8 Parts and diagrams

Order parts, accessories, and supplies	254
Part numbers	255
Paper-handling accessories	255
Print cartridges	255
Memory	255
Cables and interfaces	255
Whole unit replacement	256
Screws	257
How to use the parts lists and diagrams	258
External covers, panels, and doors	260
HP LaserJet P2035	260
HP LaserJet P2055	262
Internal components	264
Internal components 1 of 5	264
Internal components 2 of 5	266

Internal components 3 of 5	268
Internal components 4 of 5	270
Internal components 5 of 5	272
Alphabetical parts list	274
Numerical parts list	277

Appendix A Service and support

Hewlett-Packard limited warranty statement	282
Print cartridge limited warranty statement	283
End User License Agreement	284
Customer self-repair warranty service	286
Customer support	287
HP maintenance agreements	288
On-site service agreements	288
Next-day on-site service	288
Weekly (volume) on-site service	288
Repack the product	288
Extended warranty	289

Appendix B Specifications

Physical specifications	292
Electrical specifications	292
Acoustic emissions	293
Operating environment	293

Appendix C Regulatory information

FCC regulations	296
Declaration of conformity	297
Declaration of conformity	297
Safety statements	298
Laser safety	298
Canadian DOC regulations	298
VCCI statement (Japan)	298
Power cord statement (Japan)	298
EMI statement (Korea)	298
Laser statement for Finland	299
Substances Table (China)	300

Index	301
-------------	-----

For the complete PDF manual
please visit www.LaserPros.com.