



LASERJET PRO MFP

Repair Guide



M435nw



HP LaserJet Pro MFP M435nw

Repair Manual

Copyright and License

© 2013 Copyright Hewlett-Packard Development Company, L.P.

Reproduction, adaptation, or translation without prior written permission is prohibited, except as allowed under the copyright laws.

The information contained herein is subject to change without notice.

The only warranties for HP products and services are set forth in the express warranty statements accompanying such products and services. Nothing herein should be construed as constituting an additional warranty. HP shall not be liable for technical or editorial errors or omissions contained herein.

Edition 1, 5/2013

Part number: A3E42-90978


Trademark Credits


Adobe®, Acrobat®, and PostScript® are trademarks of Adobe Systems Incorporated.


Microsoft®, Windows®, Windows® XP, and Windows Vista® are U.S. registered trademarks of Microsoft Corporation.

ENERGY STAR and the ENERGY STAR mark are registered U.S. marks.

Conventions used in this guide

 **TIP:** Tips provide helpful hints or shortcuts.

 **NOTE:** Notes provide important information to explain a concept or to complete a task.

 **CAUTION:** Cautions indicate procedures that you should follow to avoid losing data or damaging the product.


 **WARNING!** Warnings alert you to specific procedures that you should follow to avoid personal injury, catastrophic loss of data, or extensive damage to the product.

Table of contents

1 Removal and replacement	1
Removal and replacement strategy	2
Introduction	2
Required tools	2
Types of screws	3
Service approach	3
Before performing service	3
After performing service	4
Parts removal order	5
Customer self-repair parts	6
Tray 1 roller kit	6
Tray 2 roller kit	9
Tray 3 roller kit	13
Transfer roller	16
External doors, covers, and panels	17
Right cover assembly	17
Lower back cover	18
Rear-cover assembly	18
Top cover	19
Left cover	21
Face-down cover	21
Tray 2	22
Tray 3	23
Right front cover	24
Right cassette cover	25
Right handle cover	25
Multi-purpose tray cover assembly	27
Cartridge door assembly	29
Scanner subassembly (SSA)	37
Scanner subassembly (SSA) lid	41
Control panel	41
Internal assemblies	44

Laser/scanner	44
Fuser	46
Fuser motor	46
Right fan	47
Left fan	49
Registration unit	52
Paper-feed assembly	53
Printed circuit assemblies (PCAs)	56
Front USB PCA	56
DC controller PCA	57
Formatter and Wi-Fi PCAs	59
High-voltage power supply	61
Low-voltage power supply PCA	69
Duplexer	74
Duplexer	74
Duplexer left cover	74
Duplexer right cover	75
Duplexer top cover	76
Duplexer rear cover	77
Duplex drive assembly	78
Duplexer driver PCA	86
Duplexer fan	87
Registration sensor photoreceiver assembly	90
Registration sensor LED assembly	95
500-sheet feeder	102
500-sheet feeder front cover	102
500-sheet feeder left cover	103
500-sheet feeder right cover	103
500-sheet feeder cassette cover	104
500-sheet feeder paper-pickup unit	105
500-sheet feeder lifter drive unit	106
500-sheet feeder drive unit	107
500-sheet feeder drive PCA	111
500-sheet feeder pickup motor	112
2 Parts and diagrams	115
Order parts by authorized service providers	115
Service kit parts	115
Whole-unit replacement part numbers	117
Supplies and accessories part numbers	117
Related documentation and software	117

How to use the parts lists and diagrams	118
Fasteners used in this product	119
Assembly locations	120
Covers	122
SSA and control panel	124
Internal components	132
PCAs	138
500-sheet feeder, cassette, external panels and covers	140
500-sheet feeder internal components	142
Duplexer external covers	144
Duplexing main body	146
Alphabetical parts list	150
Numerical parts list	154

Index	159
--------------------	------------

1 Removal and replacement

- [Removal and replacement strategy](#)
- [Customer self-repair parts](#)
- [External doors, covers, and panels](#)
- [Internal assemblies](#)
- [Printed circuit assemblies \(PCAs\)](#)
- [Duplexer](#)
- [500-sheet feeder](#)

Removal and replacement strategy

Introduction

This chapter describes the removal and replacement of field-replaceable units (FRUs) only.

Replacing FRUs is generally the reverse of removal. Notes are included to provide directions for difficult or critical replacement procedures.

HP does not support repairing individual subassemblies or troubleshooting to the component level.

Never operate or service the product with the protective cover removed from the laser/scanner assembly. The reflected beam, although invisible, can damage your eyes.

The sheet-metal parts can have sharp edges. Be careful when handling sheet-metal parts.

CAUTION: Some parts are sensitive to electrostatic discharge (ESD). Look for the ESD reminder when removing product parts. Always perform service work at an ESD-protected workstation or mat. If an ESD workstation or mat is not available, ground yourself by touching the sheet-metal chassis *before* touching an ESD-sensitive part.

Protect the ESD-sensitive parts by placing them in ESD pouches when they are out of the product.

CAUTION: Do not bend or fold the flat flexible cables (FFCs) during removal or installation.

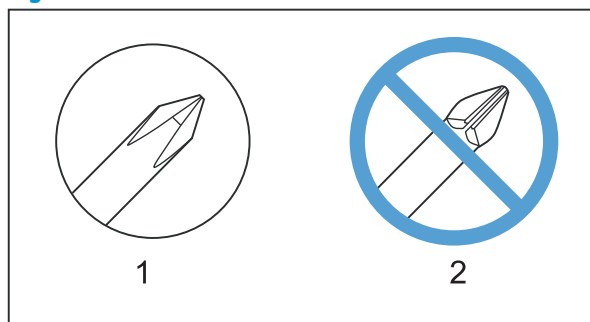
NOTE: To install a self-tapping screw, first turn it counterclockwise to align it with the existing thread pattern, and then carefully turn it clockwise to tighten. Do not overtighten. If a self-tapping screw-hole becomes stripped, repair the screw-hole or replace the affected assembly.

Required tools

- #2 Phillips screwdriver with a magnetic tip and a 152-mm (6-inch) shaft length
- Small flatblade screwdriver
- T-10 Torx® screw driver
- Needle-nose pliers
- ESD strap (if one is available)
- Penlight

CAUTION: Always use a Phillips screwdriver (callout 1). Do not use a pozidrive screwdriver (callout 2) or any motorized screwdriver. These can damage screws or screw threads.

Figure 1-1 Screwdrivers



⚠ CAUTION: Do *not* pull directly on the wires to disconnect them. *Always* pull on the plastic body of a connector to avoid damaging the connector wires.

Types of screws

⚠ WARNING! Make sure that components are replaced with the correct screw type. Using an incorrect screw (for example, substituting a long screw for the correct shorter screw) can cause damage to the product or interfere with product operation. Do not intermix screws that are removed from one component with the screws that are removed from another component.

For a complete list of screw types and part numbers, see the Parts chapter.

Service approach

Printer repair normally begins by using the product internal diagnostics and the following two-step process:

1. Isolate the problem to the major system (for example, the network or server, or the product).
2. Troubleshoot the problem by using the procedures in chapter 2.

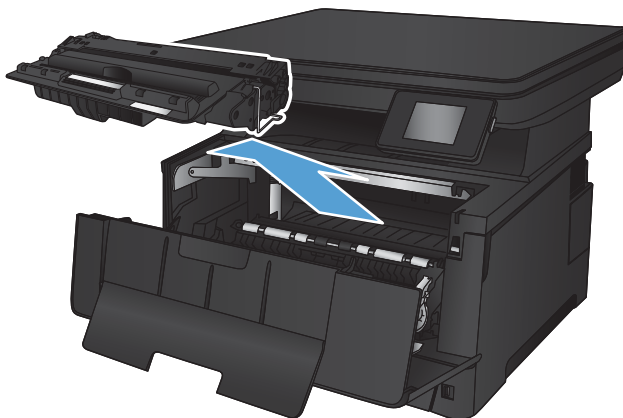
After you locate a faulty part, the product can usually be repaired at the assembly level by replacing FRUs. Some mechanical assemblies might need to be repaired at the subassembly level. Hewlett-Packard Company does not support replacement of components on the printed circuit assemblies.

Before performing service

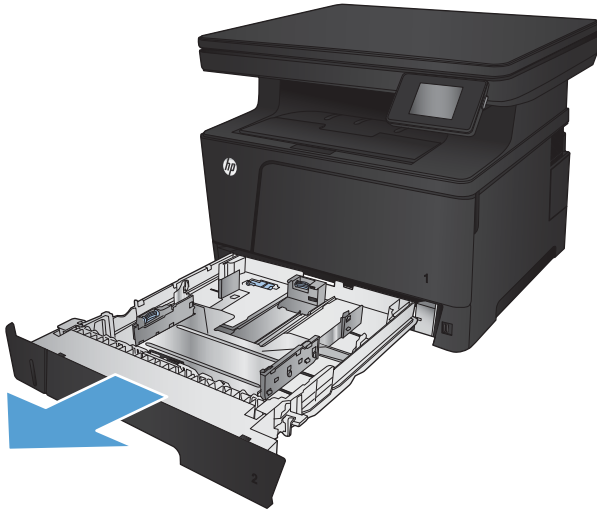
1. Turn the product off, wait 5 seconds, and then remove the power cord before attempting to service the product.

⚠ CAUTION: *If this warning is not followed, severe injury and damage to the device can result.* The power must be on for certain functional checks during troubleshooting. However, the power supply must be disconnected during parts removal.

2. Remove all media.
3. Place the product on an ESD mat (if available).
4. Remove the print cartridge.



5. Remove tray 2.



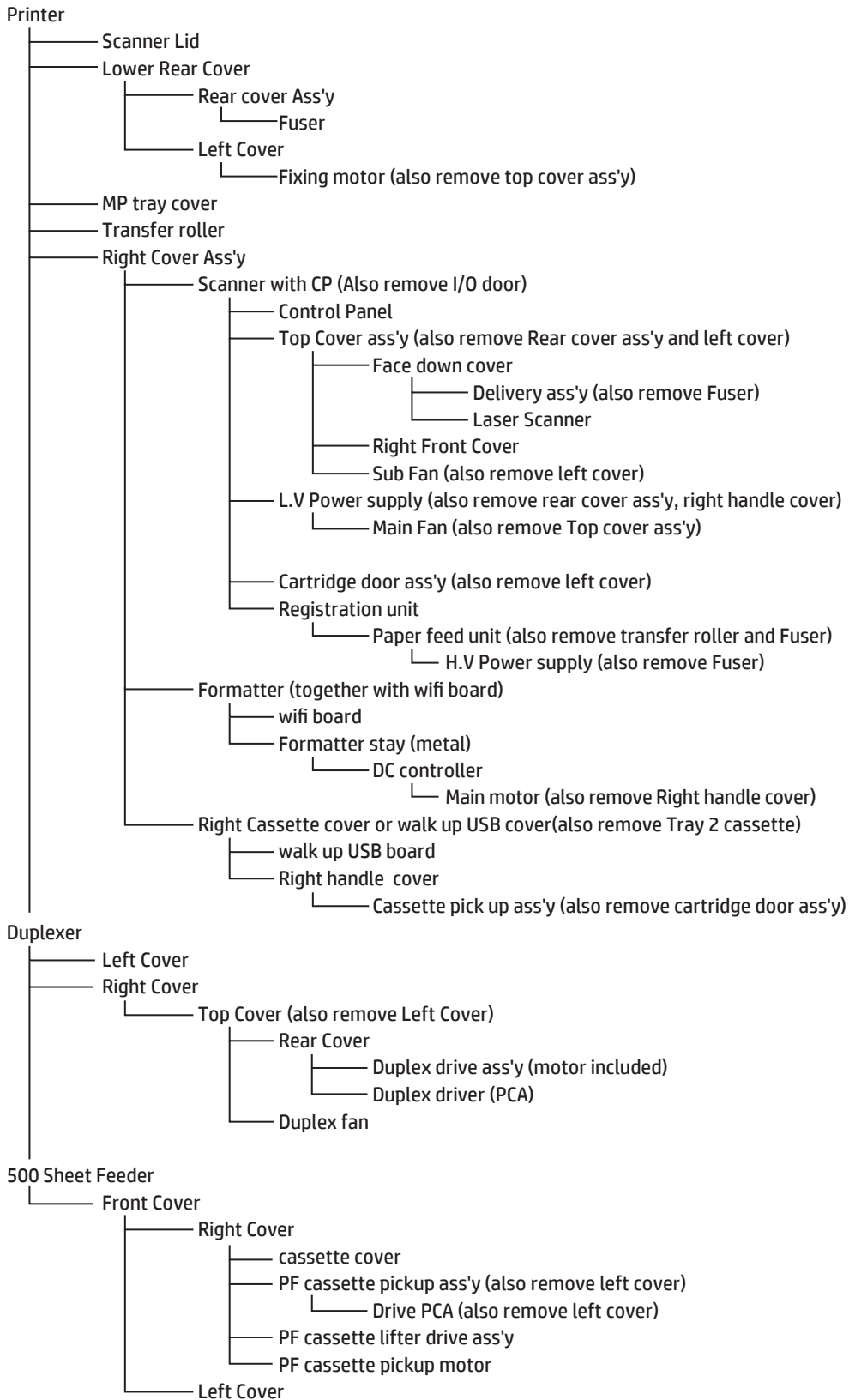
After performing service

- Return all media to the trays.
- Reinstall the print cartridge.
- Reinstall tray 2.
- Reinstall and plug in the power cable, and then turn the product on.

Parts removal order

Use the following diagram to determine which parts must be removed before removing other parts.

Figure 1-2 Parts removal order



Customer self-repair parts

The user replaces print cartridges as they are depleted. The *HP LaserJet Pro M435 Series products Service Manual* explains when to replace these supplies and provides instructions about replacing them. Additional instructions on other user-replaceable parts are provided in this section.

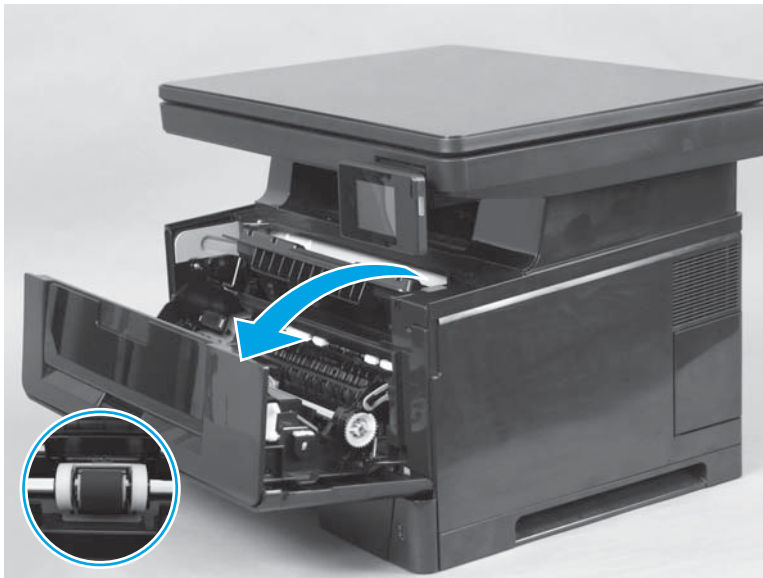
The product tracks the amount of use on the customer-replaceable supplies by keeping a page count.

Swapping supplies between products might cause a misrepresentation of supply life values and is not recommended.

Tray 1 roller kit

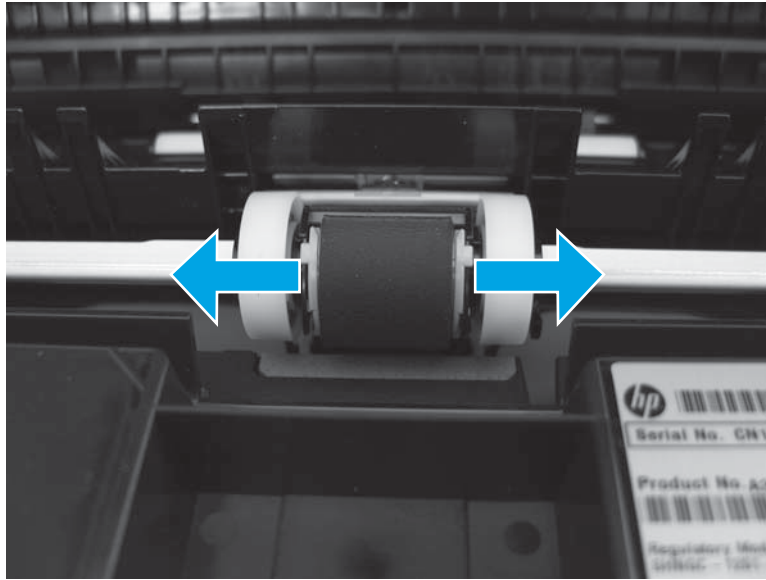
1. Tray 1 pickup roller
 - a. Open the cartridge door and locate the tray 1 pickup roller.

Figure 1-3 Remove the tray 1 pickup roller (1 of 3)



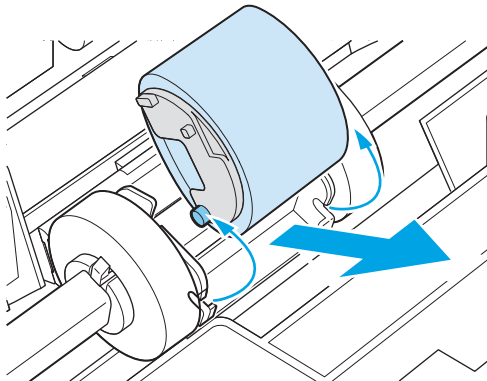
- b. Push out the two black tabs.

Figure 1-4 Remove the tray 1 pickup roller (2 of 3)



- c. Remove the tray 1 pickup roller.

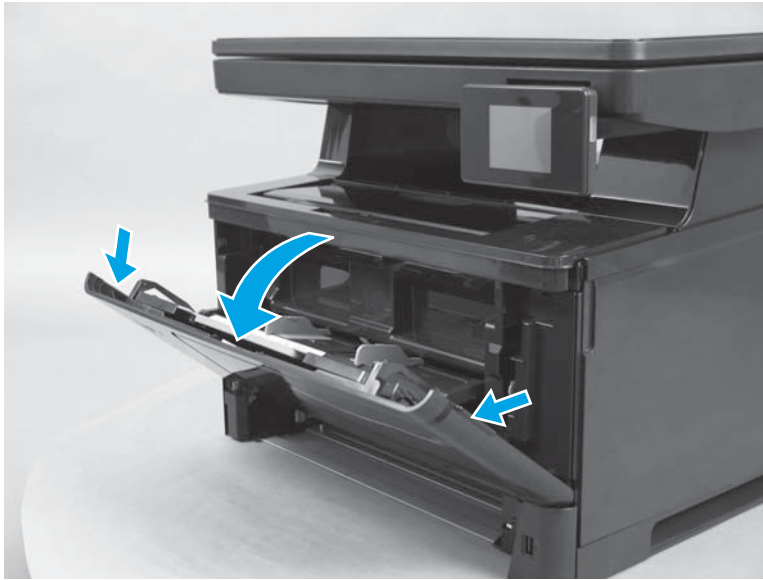
Figure 1-5 Remove the tray 1 pickup roller (3 of 3)



2. Tray 1 separation pad

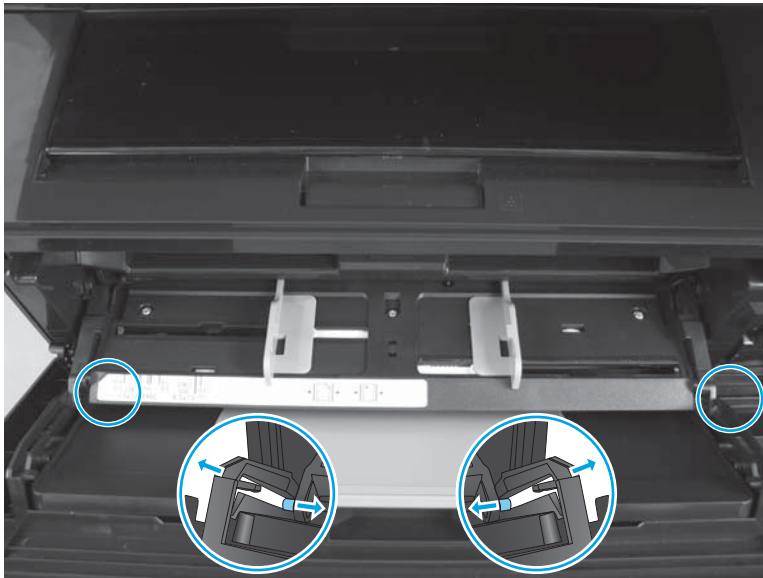
- a. Grasp the handles and then open the multi-purpose tray door.

Figure 1-6 Remove the tray 1 separation pad (1 of 4)



- b. Release two levers.

Figure 1-7 Remove the tray 1 separation pad (2 of 4)



- c. Remove one screw.

Figure 1-8 Remove the tray 1 separation pad (3 of 4)



- d. Lift the input bin and hold it up with your hand, and then remove the tray 1 separation pad assembly.

Figure 1-9 Remove the tray 1 separation pad (4 of 4)

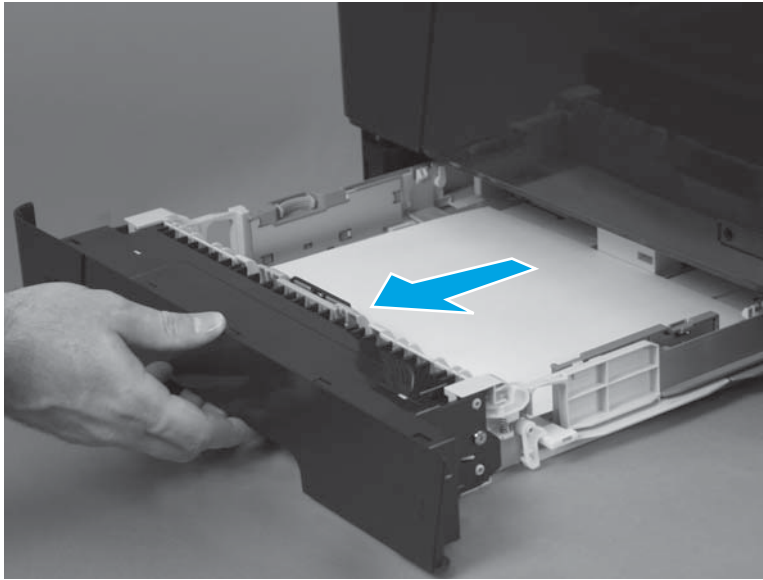


Tray 2 roller kit

1. Tray 2 pickup roller

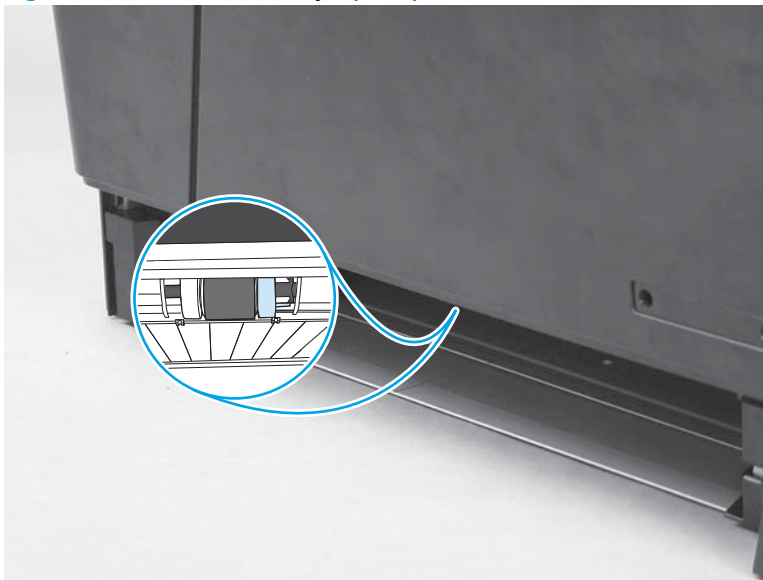
- a. Remove tray 2.

Figure 1-10 Remove the tray 2 pickup roller (1 of 3)



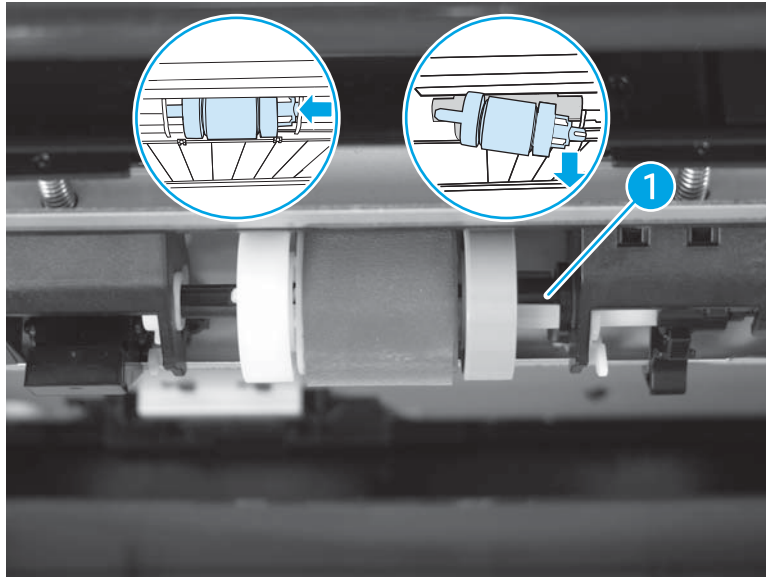
- b. From the front of the product, look up inside the product to identify the roller.

Figure 1-11 Remove the tray 2 pickup roller (2 of 3)



- c. Squeeze the two blue tabs (callout 1) together, push to the left, and then pull the roller down to remove it.

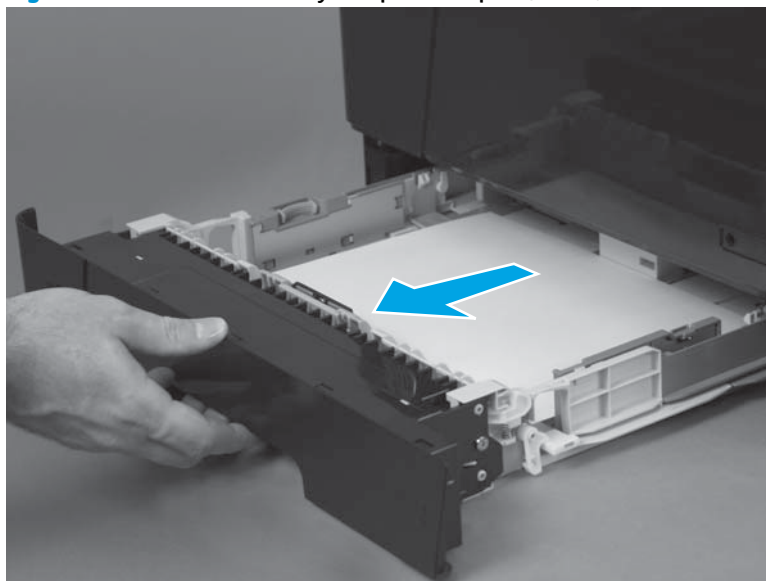
Figure 1-12 Remove the tray 2 pickup roller (2 of 3)



2. Tray 2 separation pad

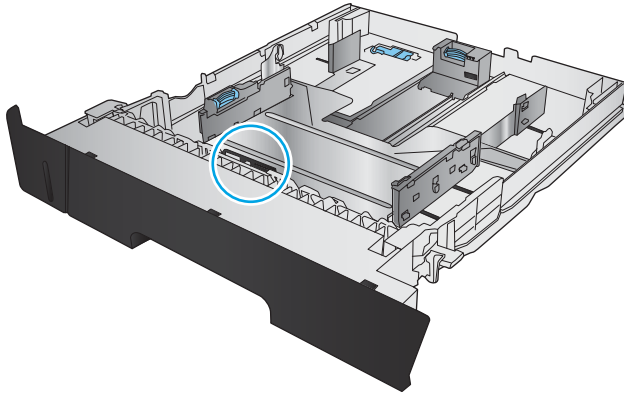
- a. Remove tray 2.

Figure 1-13 Remove the tray 2 separation pad (1 of 4)



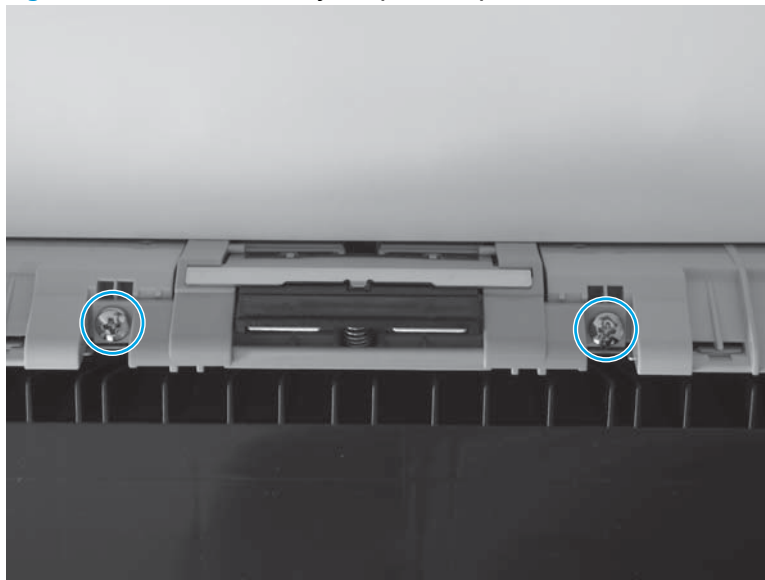
- b. Locate the tray 2 separation pad.

Figure 1-14 Remove the tray 2 separation pad (2 of 4)



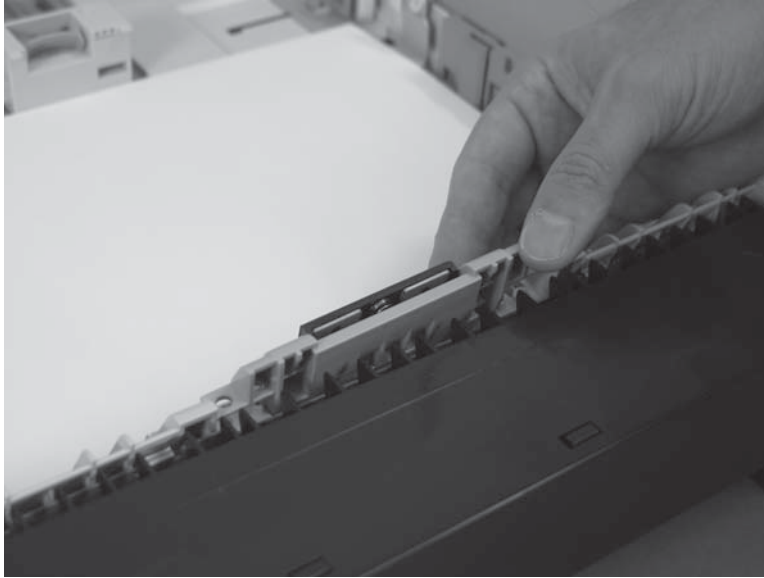
- c. Remove two screws.

Figure 1-15 Remove the tray 2 separation pad (3 of 4)



- d. Lift up the separation pad to remove it.

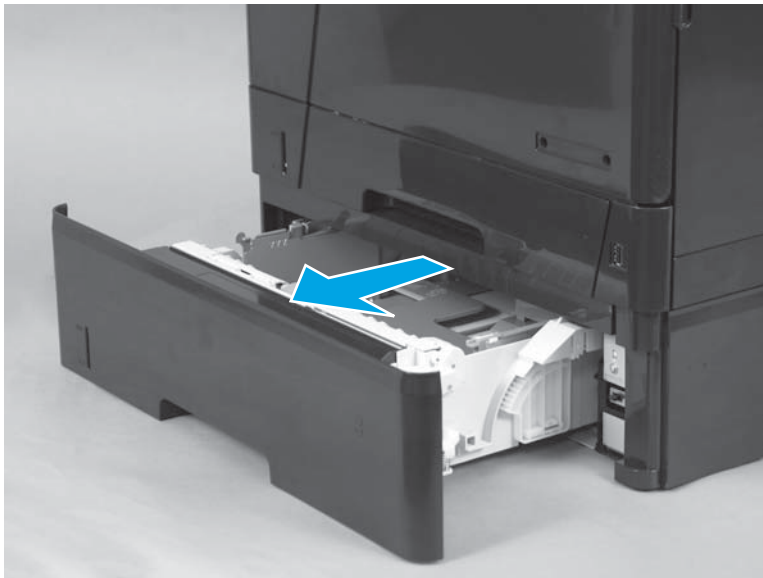
Figure 1-16 Remove the tray 2 separation pad (4 of 4)



Tray 3 roller kit

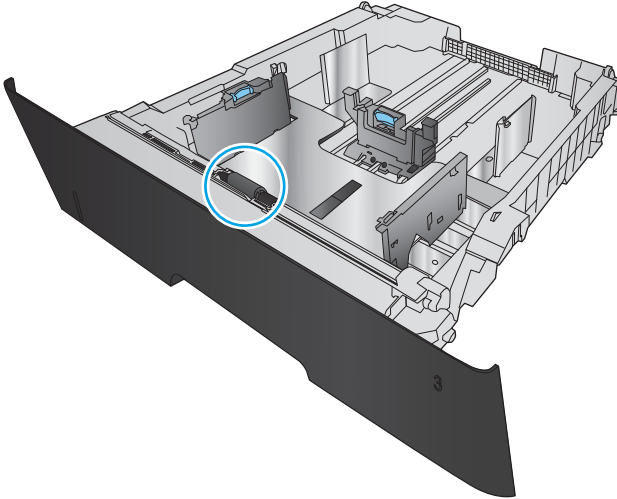
1. Remove tray 3.

Figure 1-17 Remove the tray 3 feed roller 1(1 of 5)



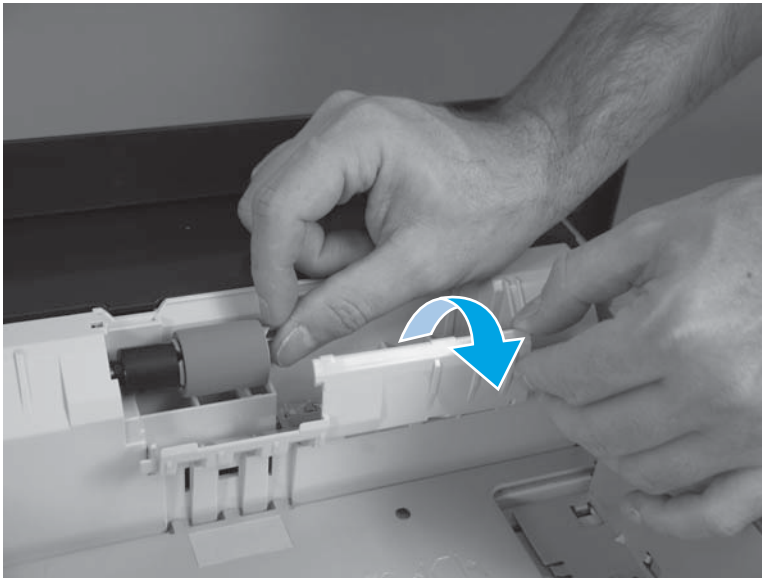
2. Locate the tray 3 feed roller 1 inside tray 3 cassette.

Figure 1-18 Remove the tray 3 feed roller 1 (2 of 5)



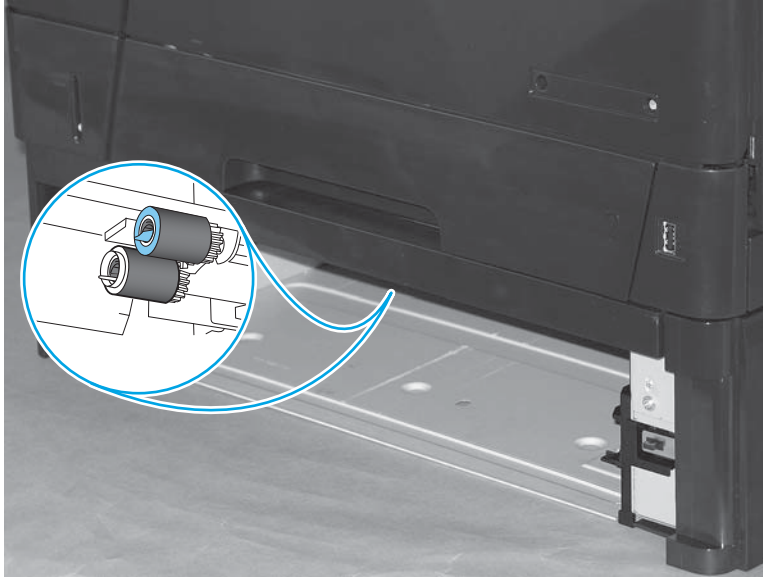
3. Remove the tray 3 feed roller 1 located inside tray 3.

Figure 1-19 Remove the tray 3 feed roller 1 (3 of 5)



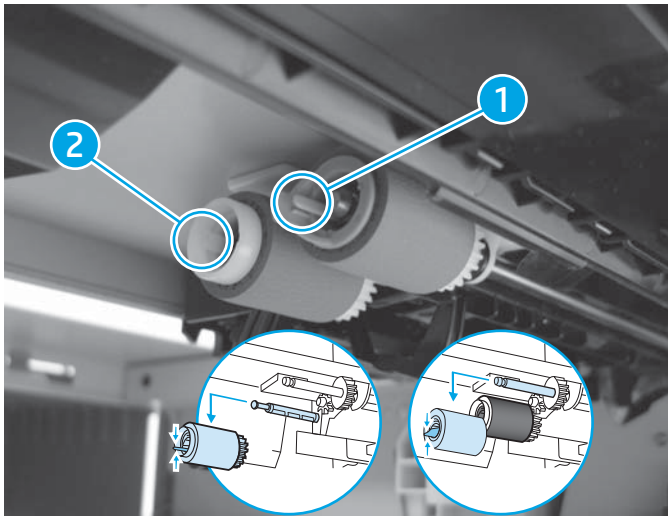
4. Look up inside the product to locate the tray 3 feed roller 2 and tray 3 pickup roller located inside the tray 3 assembly.

Figure 1-20 Remove the tray 3 pickup and feed roller 2 (4 of 5)



5. Remove the blue feed roller by squeezing the left side of the roller tab (callout 1), and then slide it to the left to remove the feed roller. To remove the pickup roller (callout 2), pinch the white tab, and then slide the pickup roller to the left to remove it.

Figure 1-21 Remove the tray 3 pickup and feed roller 2 (5 of 5)

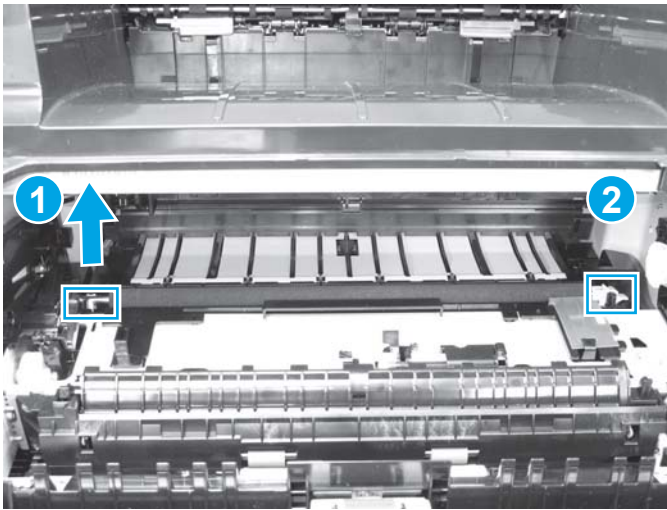


Transfer roller

⚠ WARNING! The transfer roller bar has grease on its surface. Wear a thin glove, like an ESD glove, to keep the grease off your skin.

1. Open the print-cartridge door.
2. Unlatch the blue latch on the right (callout 2), and then lift up the transfer roller on the left side of the product (callout 1) to remove it.

Figure 1-22 Remove the transfer roller



📝 NOTE: Do *not* touch the rubber sponge on the transfer roller.

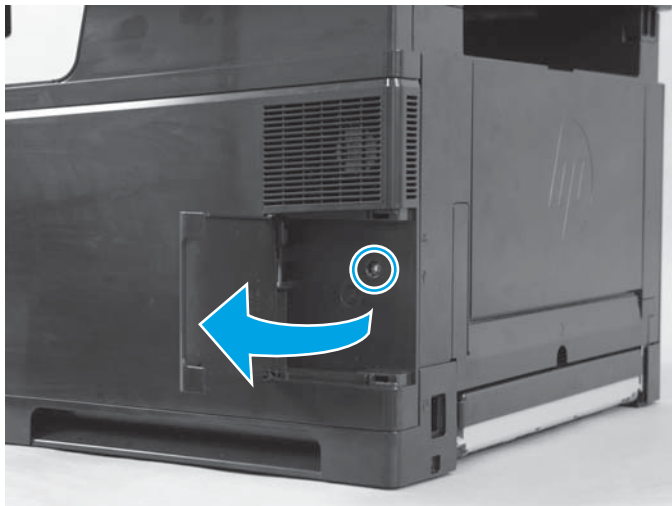
📝 NOTE: When you reinstall the transfer roller, snap it into the left side of the product first, and then install and latch on the right side of the product.

External doors, covers, and panels

Right cover assembly

1. Open the door at the rear of the right side of the product and remove one screw.


Figure 1-23 Remove the right cover (1 of 2)



2. Slide the right cover toward the back of the product and remove it.

Figure 1-24 Remove the right cover (2 of 2)



 **NOTE:** The right upper cover is attached to the right cover assembly and comes off with the right cover assembly when the right cover assembly is removed.

Lower back cover

At the back of the product, insert your finger into the hole in the cover and pull the cover outward to remove the lower back cover.

Figure 1-25 Remove the lower back cover



Rear-cover assembly

1. Before proceeding, remove the following:
 - Duplexer (if installed). See [Duplexer on page 74](#).
 - Lower back cover. See [Lower back cover on page 18](#).
2. Open the rear-cover assembly.

3. Loosen two captive screws recessed in the product.


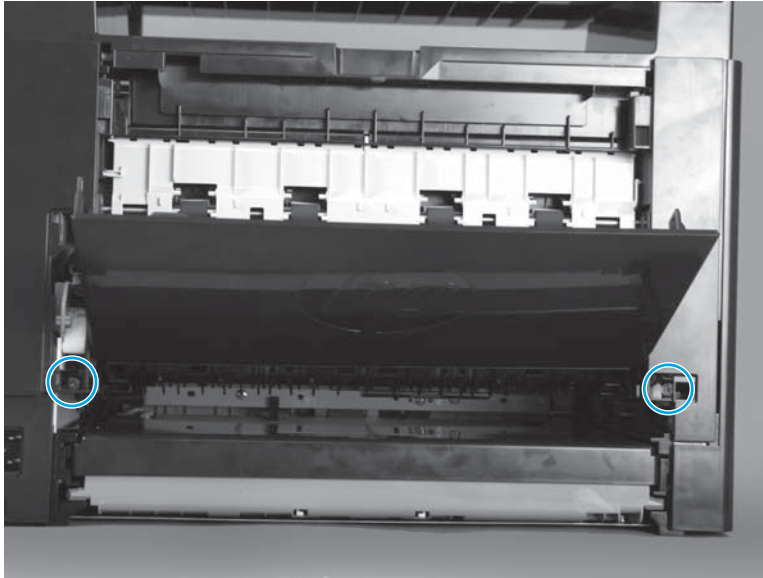
 **NOTE:** The two captive screws loosen but do not come out.

Figure 1-26 Remove the rear-cover assembly (1 of 2)



4. Close the rear-cover.
5. Gently pull the bottom of the rear-cover assembly out, and then pull it up to remove it.

Figure 1-27 Remove the rear-cover assembly (2 of 2)

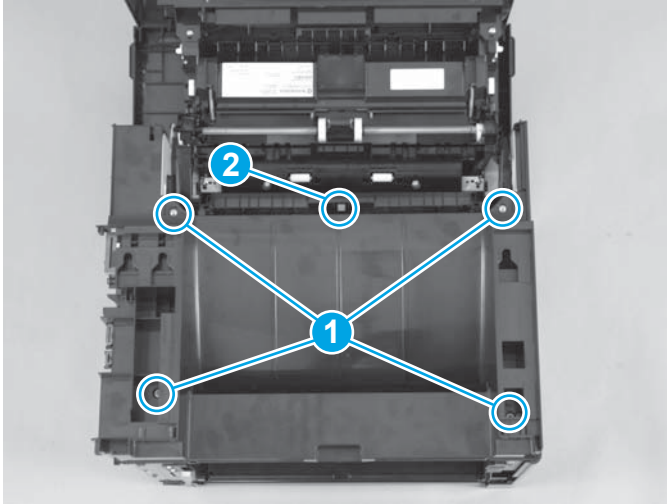


Top cover

1. Before proceeding, remove the following:
 - Right-cover assembly. See [Right cover assembly on page 17](#).
 - Lower-back cover or duplexer. See [Lower back cover on page 18](#) or [Duplexer on page 74](#).

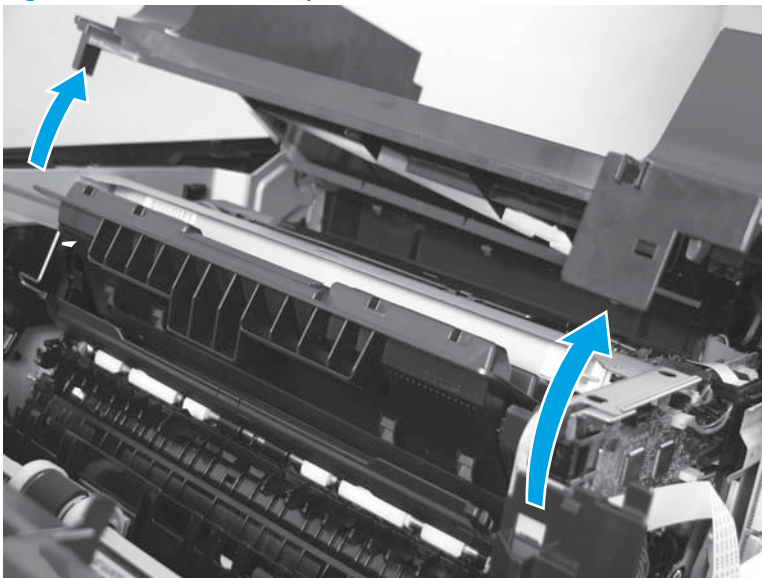
- SSA. See [Scanner subassembly \(SSA\) on page 37](#).
 - Rear-cover assembly. See [Rear-cover assembly on page 18](#).
 - Left-cover. See [Left cover on page 21](#).
2. Open the print-cartridge door.
 3. Remove four screws (callout 1), and then release one tab in the center of the product (callout 2).

Figure 1-28 Remove the top cover (1 of 2)




4. Unhook two tabs on the front of the top cover and then remove the top cover.


Figure 1-29 Remove the top cover (2 of 2)



Left cover

1. Remove the tray 2 cassette and then open the cartridge door.

 **NOTE:** Remove tray 3 if one is installed.

 **CAUTION:** Unhook the tabs in the correct order.

2. Release three tabs (callout 1), turn the left cover (callout 2) in the direction that the arrow indicates, and then remove the left cover.

Figure 1-30 Remove the left cover (1 of 2)

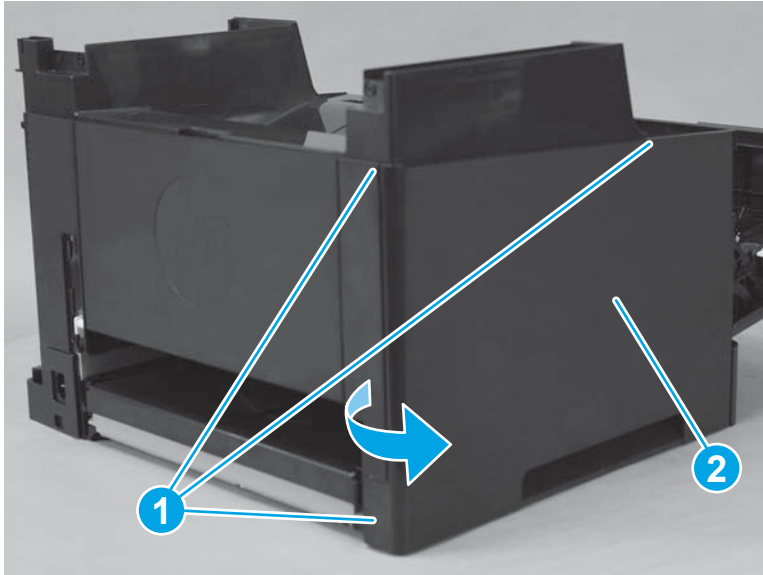
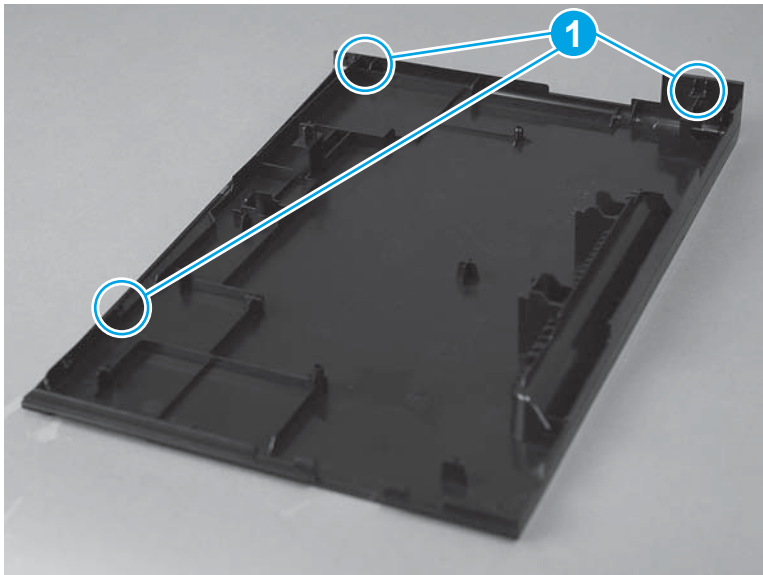


Figure 1-31 Remove the left cover-tab locations (2 of 2)

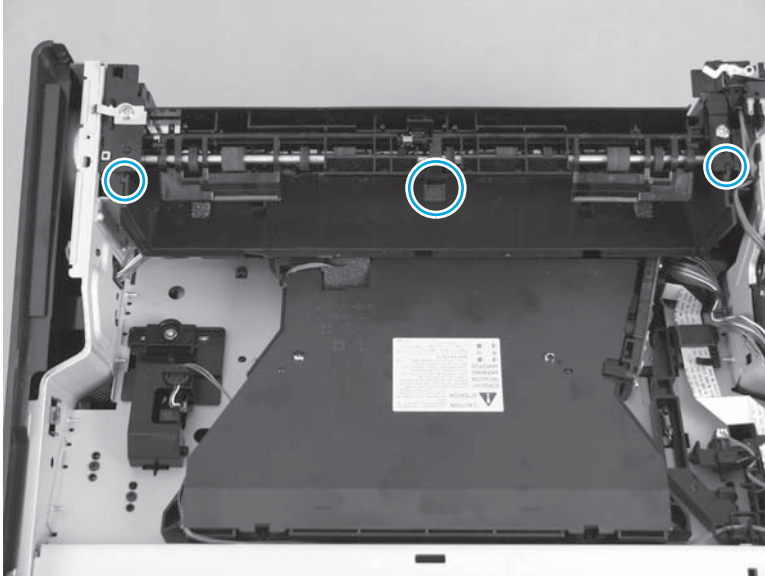


Face-down cover

1. Before proceeding, remove the following:

- Right cover assembly. See [Right cover assembly on page 17](#).
 - SSA. See [Scanner subassembly \(SSA\) on page 37](#).
 - Top cover. See [Top cover on page 19](#).
2. Release three tabs and lift up on the face-down cover to remove.

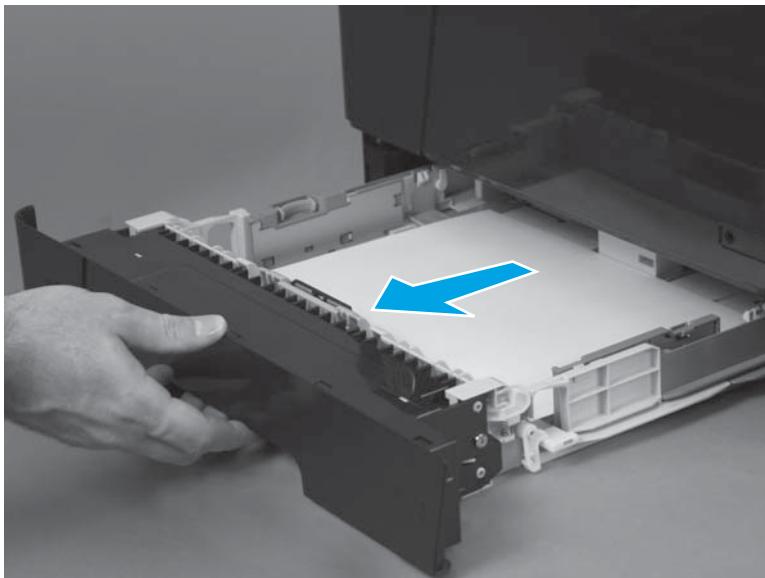
Figure 1-32 Remove the face-down cover



Tray 2

Pull out the cassette tray and lift up to remove it.

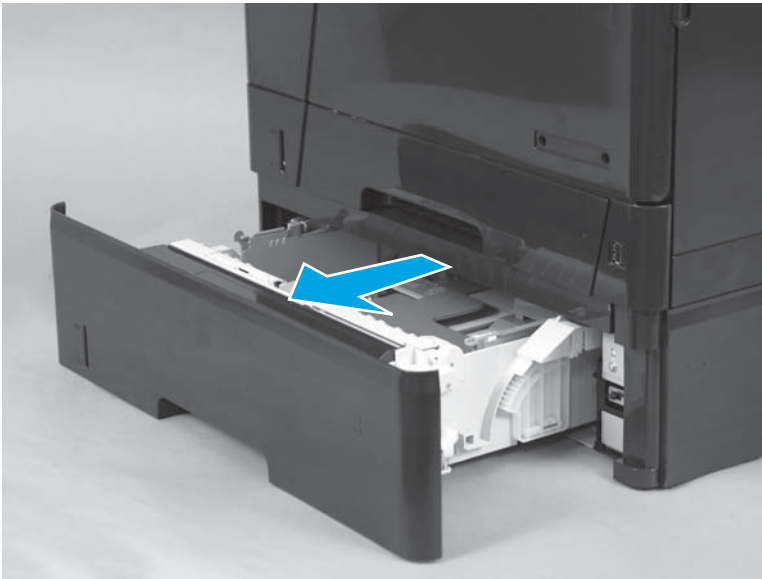
Figure 1-33 Remove tray 2



Tray 3

Pull out the cassette tray and lift up to remove it.

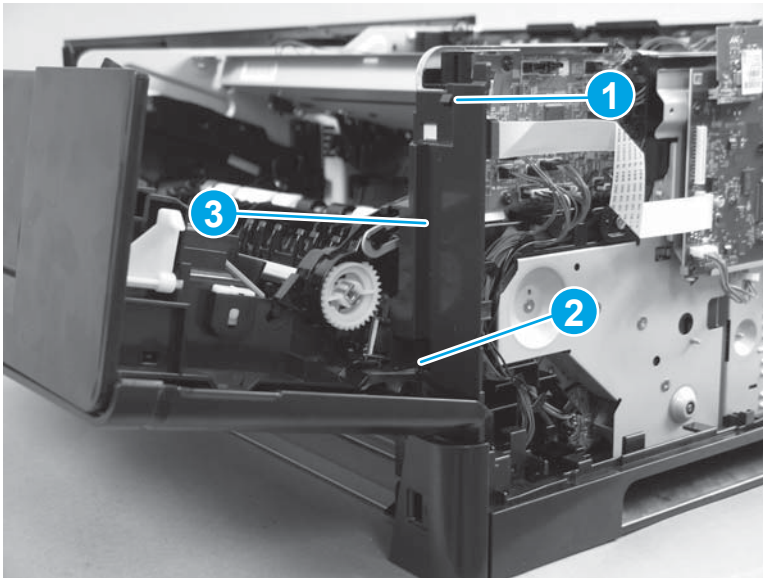
Figure 1-34 Remove tray 3



Right front cover

1. Before proceeding, remove the following:
 - Right cover assembly. See [Right cover assembly on page 17](#).
 - SSA. See [Scanner subassembly \(SSA\) on page 37](#).
 - Top cover. See [Top cover on page 19](#).
2. Open the print-cartridge door.
3. Open the cartridge door assembly.
4. Release one catch (callout 1), one tab (callout 2), and then slide the right front cover (callout 3) downward and remove it.

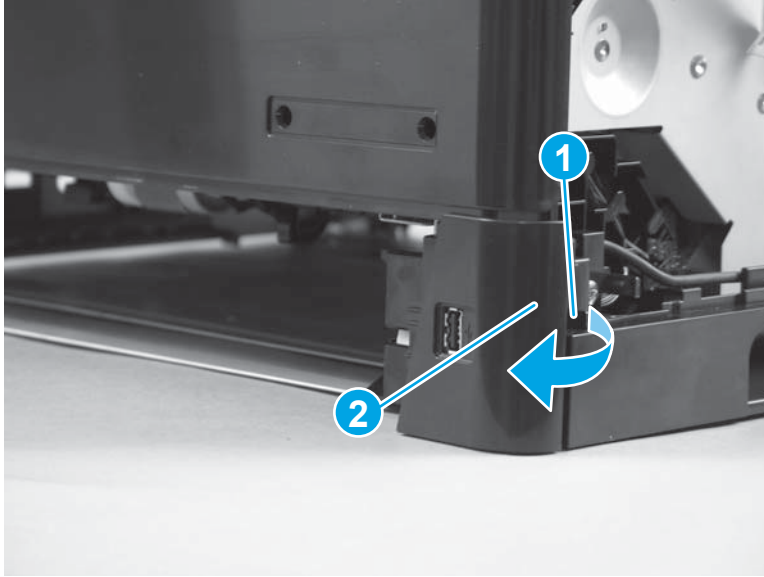
Figure 1-35 Remove the right front cover



Right cassette cover

1. Before proceeding, remove the following:
 - Right cover assembly. See [Right cover assembly on page 17](#).
2. Release one tab (callout 1), and then turn the right cassette cover (callout 2) outward to remove it.

Figure 1-36 Remove the right cassette cover

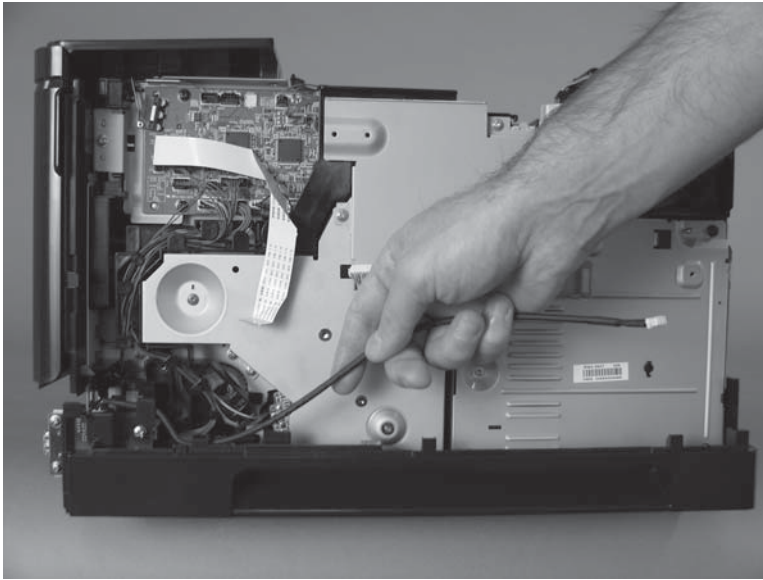


Right handle cover

1. Before proceeding, remove the following:
 - Right cover assembly. See [Right cover assembly on page 17](#).
 - Right cassette cover. See [Right cassette cover on page 25](#)

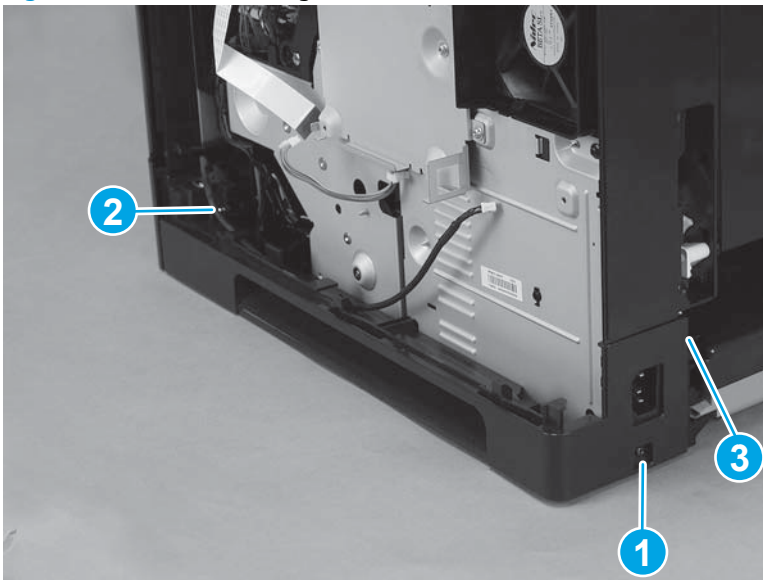
2. Remove the USB cable from the cable guide.

Figure 1-37 Remove the right handle cover (1 of 3)



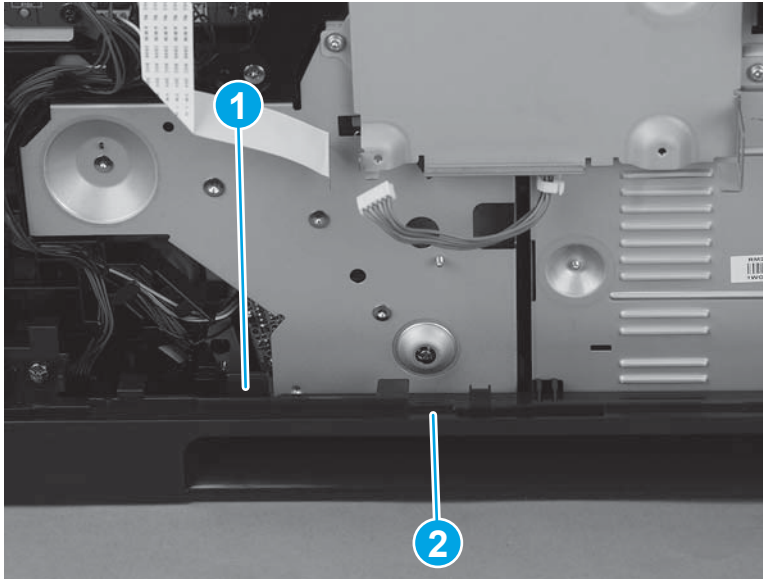
3. Remove one black screw (callout 1), one tapping screw (callout 2), and then release one tab (callout 3).

Figure 1-38 Remove the right handle cover (2 of 3)



4. Release one tab (callout 1), and then remove the right handle cover (callout 2).

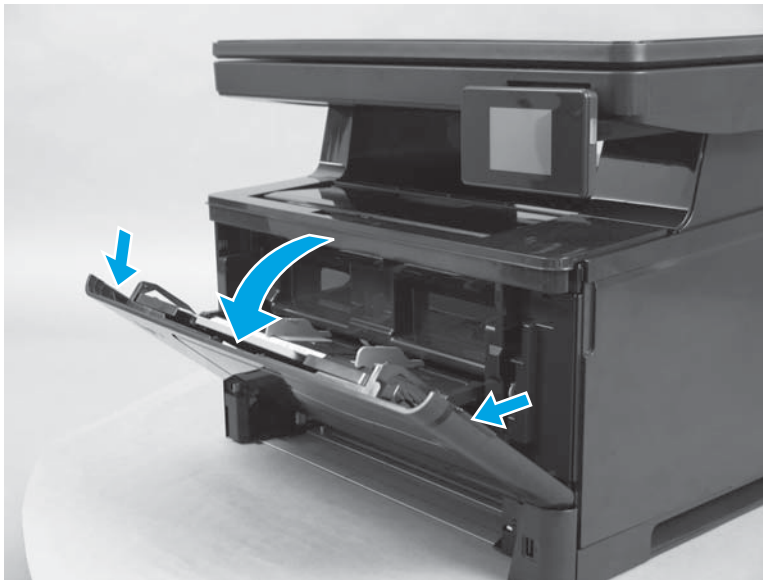
Figure 1-39 Remove the right handle cover (3 of 3)



Multi-purpose tray cover assembly

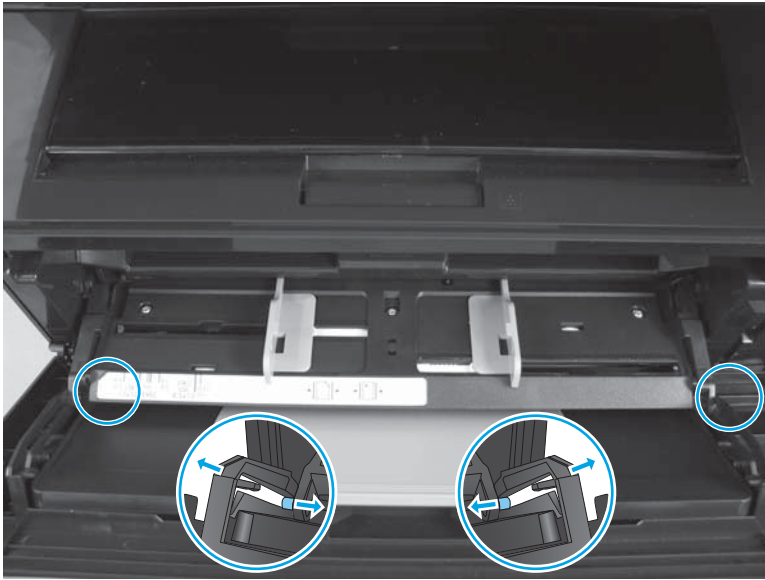
1. Open the multi-purpose tray cover.

Figure 1-40 Remove the multi-purpose cover (1 of 5)



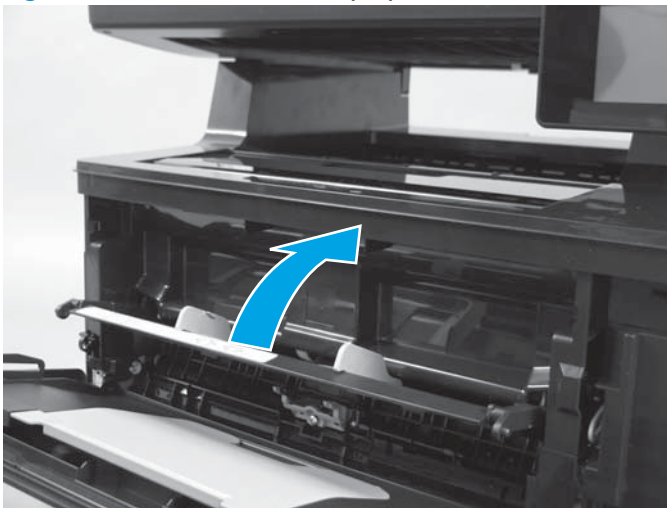
2. Release two bosses.

Figure 1-41 Remove the multi-purpose cover (2 of 5)



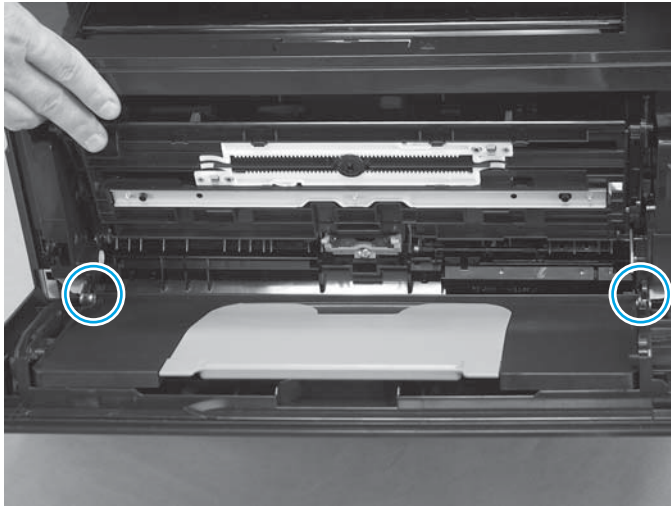
3. Lift the input bin and hold up with your hand.

Figure 1-42 Remove the multi-purpose cover (3 of 5)



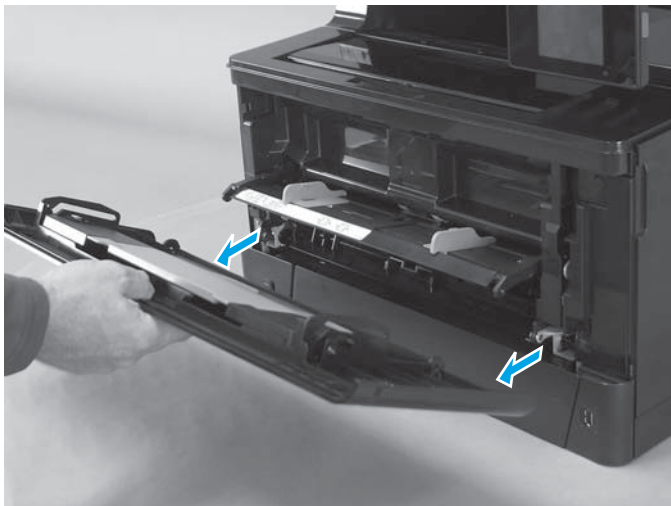
4. Release two bosses.

Figure 1-43 Remove the multi-purpose cover (4 of 5)



5. Remove the multi-purpose tray cover.

Figure 1-44 Remove the multi-purpose cover (5 of 5)

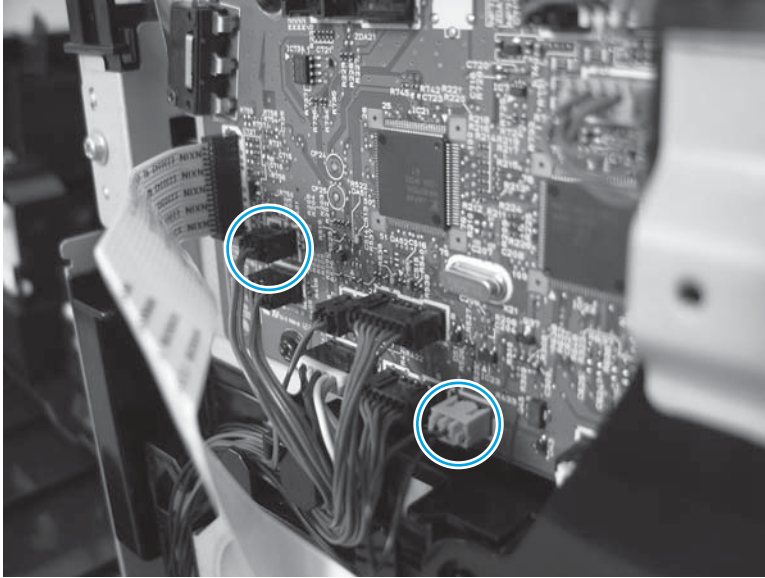


Cartridge door assembly

1. Before proceeding, remove the following:
 - Right cover assembly. See [Right cover assembly on page 17](#).
 - SSA. See [Scanner subassembly \(SSA\) on page 37](#)
 - Left cover. See [Left cover on page 21](#).
 - Tray 2. See [Tray 2 on page 22](#).

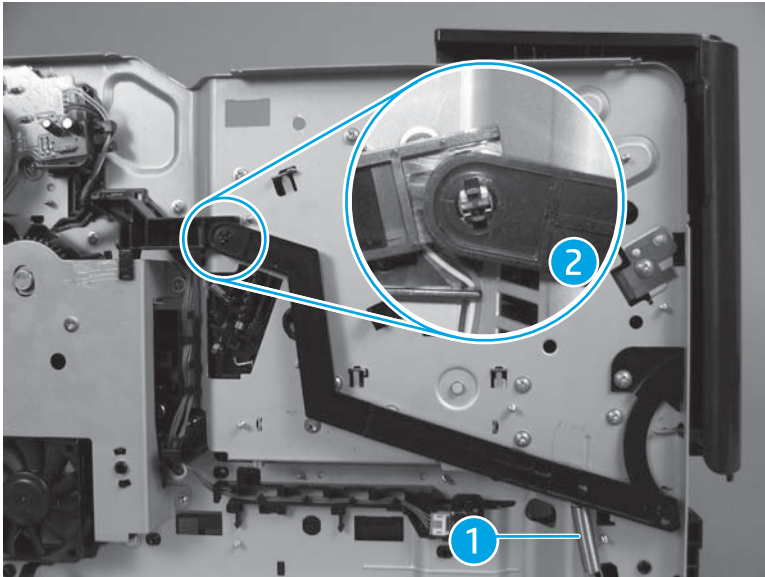
2. Disconnect two connectors on the DC controller, and then remove them from the cable guide.

Figure 1-45 Remove the cartridge door unit (1 of 13)



3. On the left side of the product, close the cartridge door and release one spring (callout 1).
4. Use needle-nose pliers to unhook the tab (callout 2) on the plastic arm.

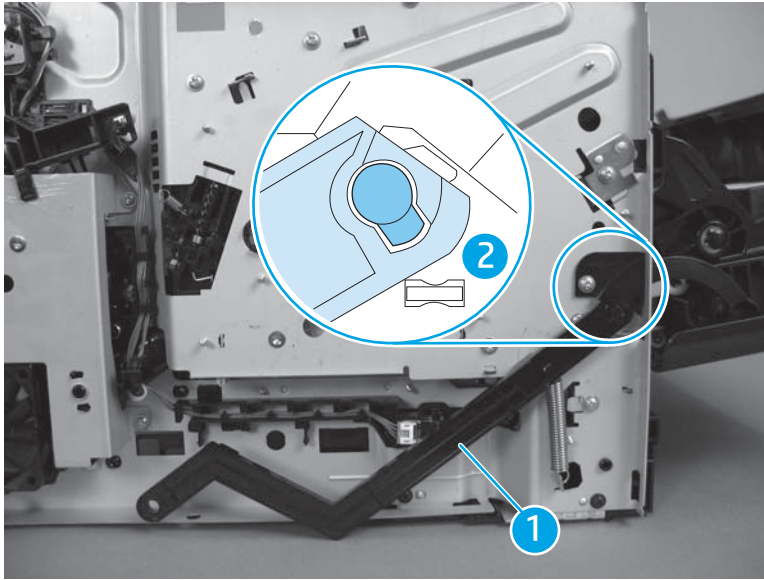
Figure 1-46 Remove the cartridge door unit (2 of 13)



5. Open the cartridge door.

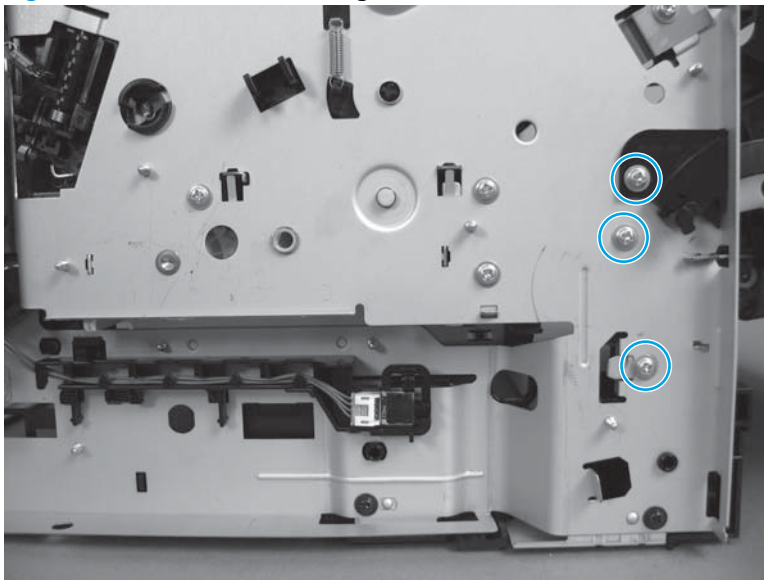
6. Rotate the plastic arm (callout 1) down to unhook the plastic arm from the tab (callout 2).

Figure 1-47 Remove the cartridge door unit (3 of 13)



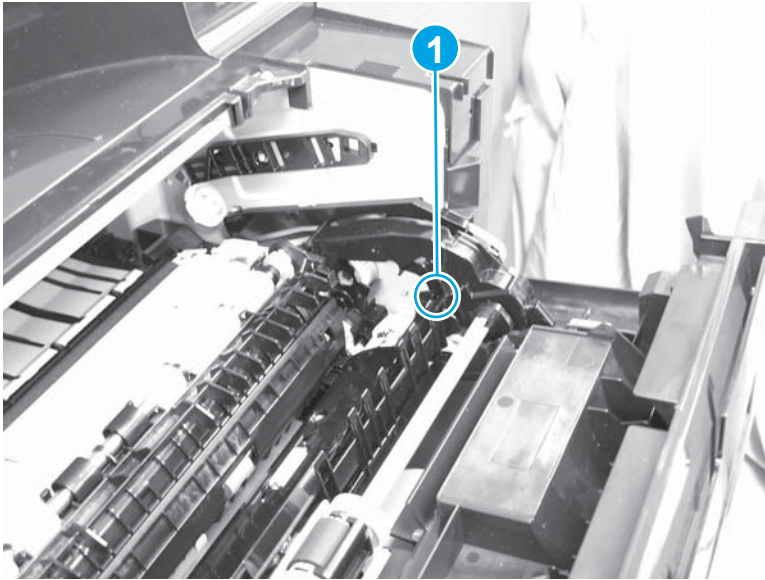
7. Remove three screws.

Figure 1-48 Remove the cartridge door unit (4 of 13)



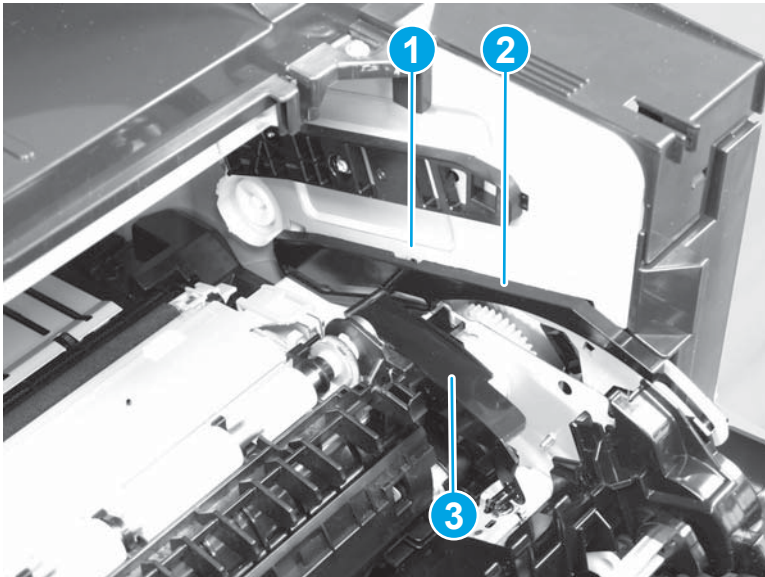
8. Release two tabs (callout 1).

Figure 1-49 Remove the cartridge door unit (5 of 13)



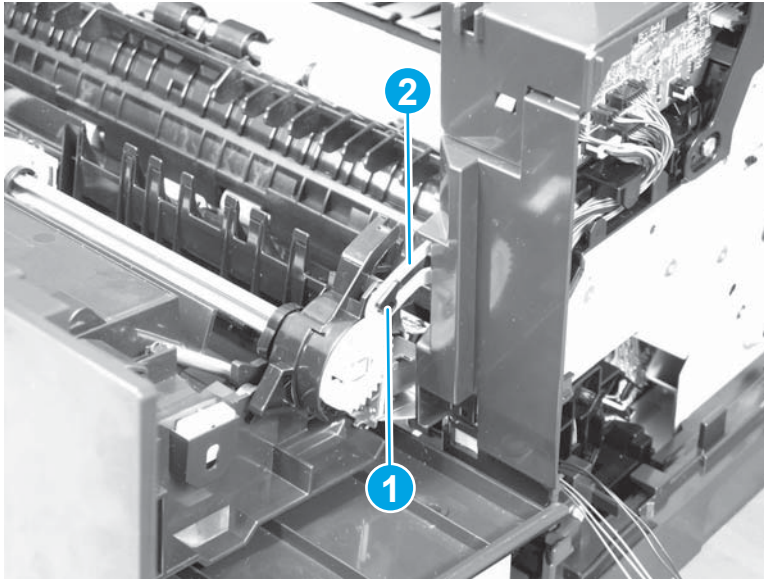
9. Release one tab (callout 1), slide the cartridge guide (callout 2) toward the front of the product, then and remove it together with the gear cover (callout 3).

Figure 1-50 Remove the cartridge door unit (6 of 13)



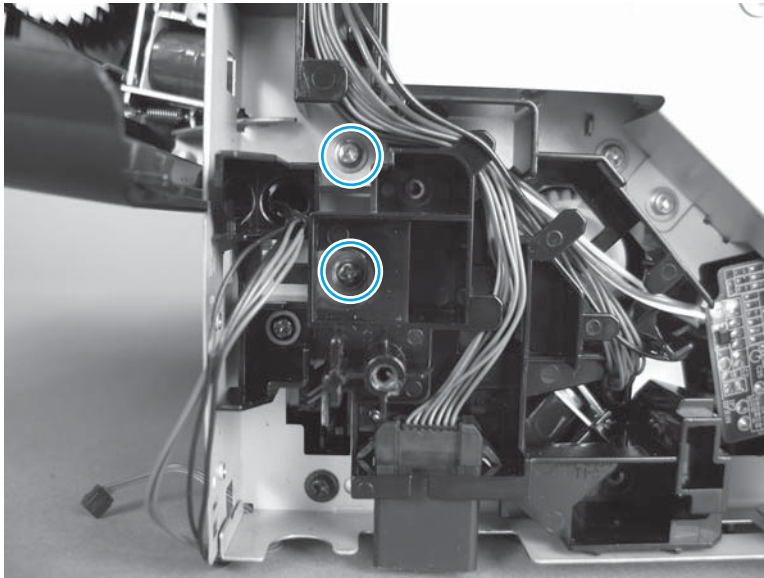
10. Release the arm (callout 2) from the catch part (callout 1).

Figure 1-51 Remove the cartridge door unit (7 of 13)



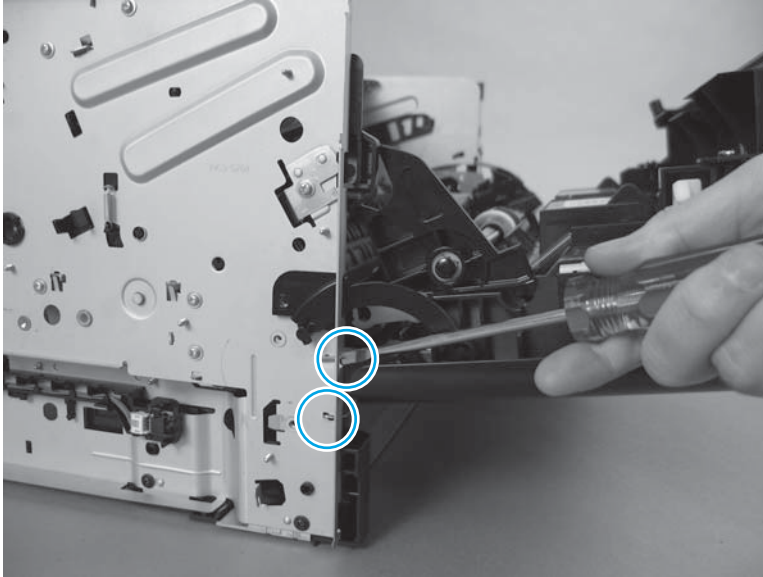
11. Remove two screws on the right side of the product.

Figure 1-52 Remove the cartridge door unit (8 of 13)



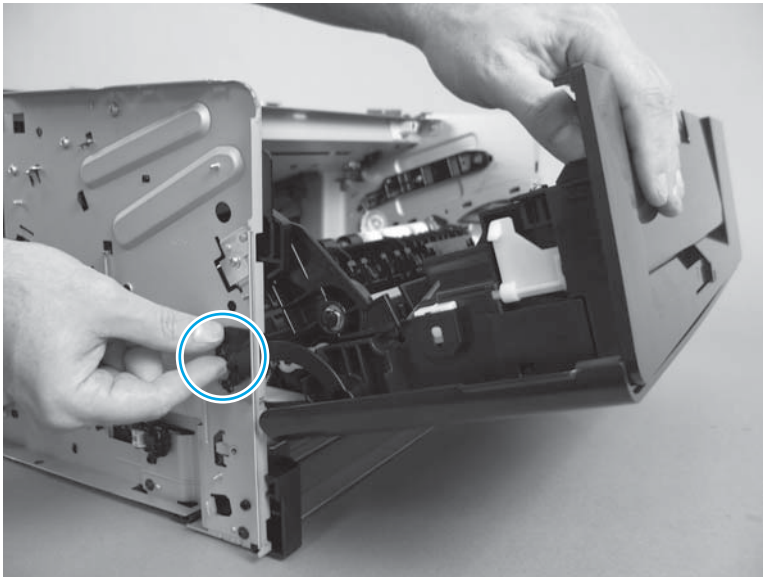
12. On the left side of the product, use a flatblade screwdriver to release two projections that extend from the cartridge door frame into the chassis.

Figure 1-53 Remove the cartridge door unit (9 of 13)



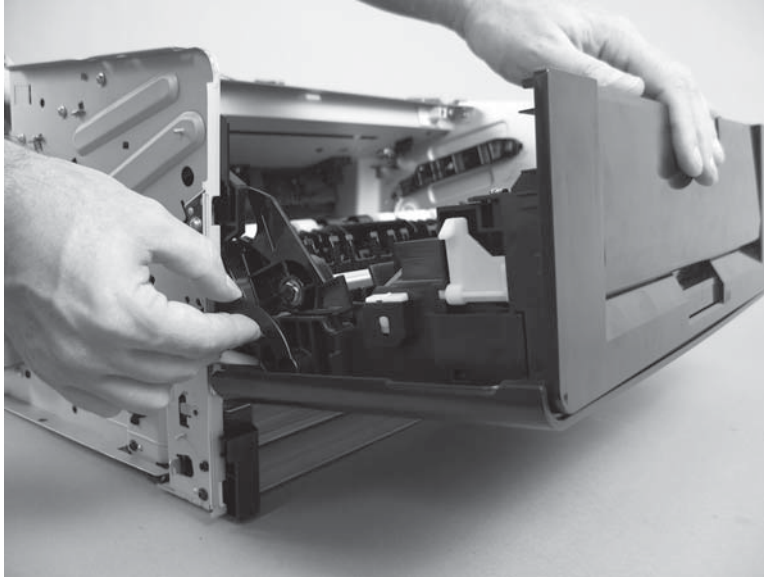
13. Pull the print-cartridge door out slightly and unhook the plastic arm from the chassis.

Figure 1-54 Remove the cartridge door unit (10 of 13)



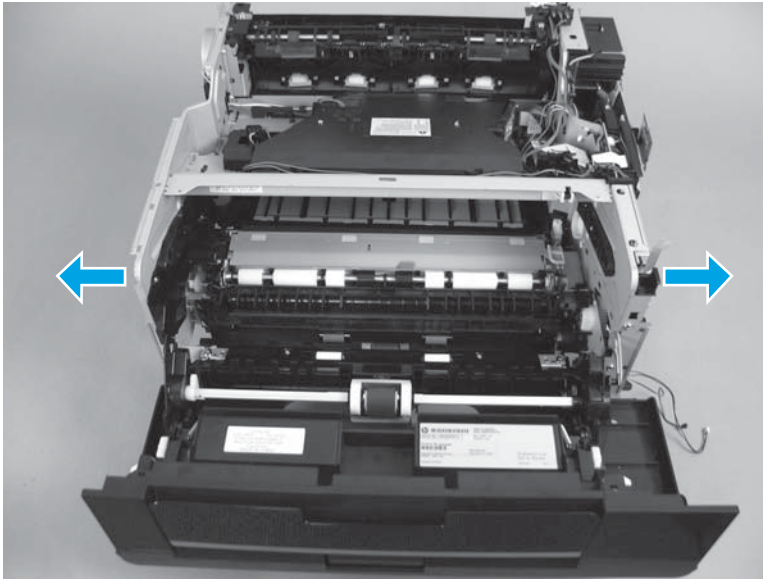
14. Remove the plastic arm from the print cartridge door.

Figure 1-55 Remove the cartridge door unit (11 of 13)



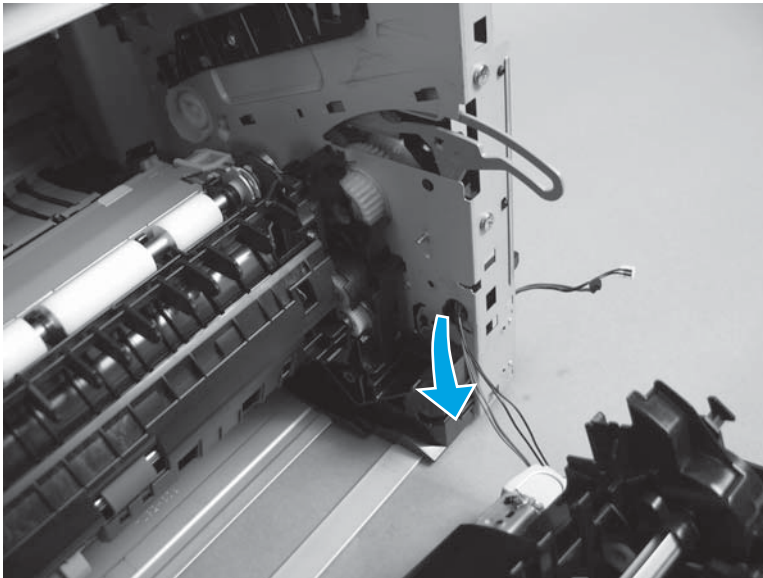
15. Slightly spread the right plate outward, and then carefully pull out the print-cartridge door assembly. Carefully feed the wiring harness through the chassis while removing the cartridge door.

Figure 1-56 Remove the cartridge door unit (12 of 13)



CAUTION: Do not damage the wiring harness on the edge of the cable hole when removing the print-cartridge door assembly.

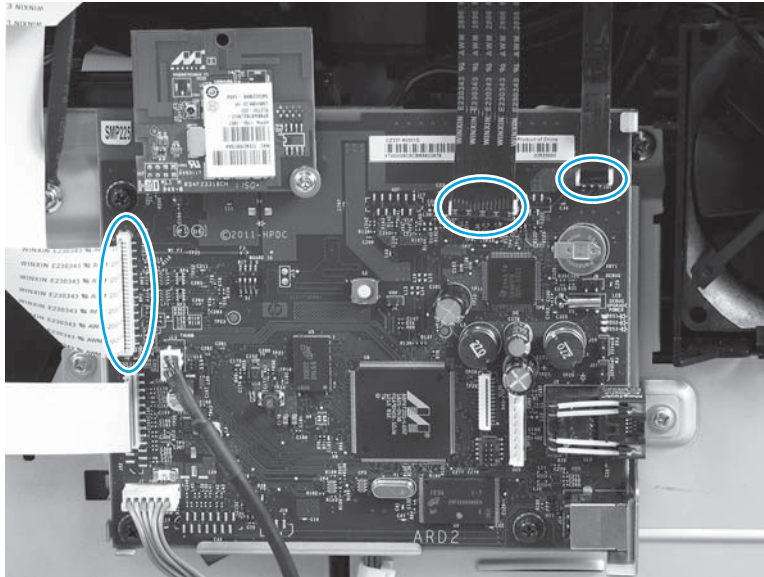
Figure 1-57 Remove the cartridge door unit (13 of 13)



Scanner subassembly (SSA)

1. Before proceeding, remove the following:
 - Right cover assembly. See [Right cover assembly on page 17](#).
2. Disconnect three FFCs.

Figure 1-58 Remove the SSA (1 of 6)



3. Remove the FFCs from the ferrites.

Figure 1-59 Remove the SSA (2 of 6)

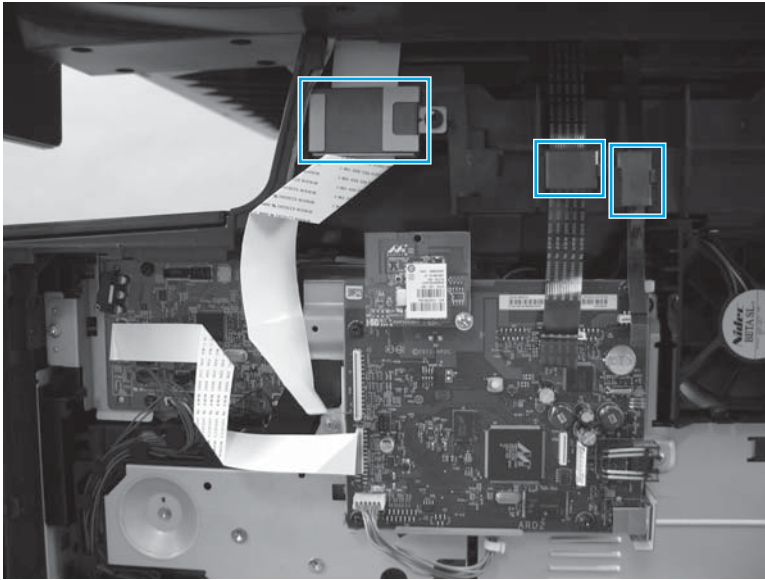
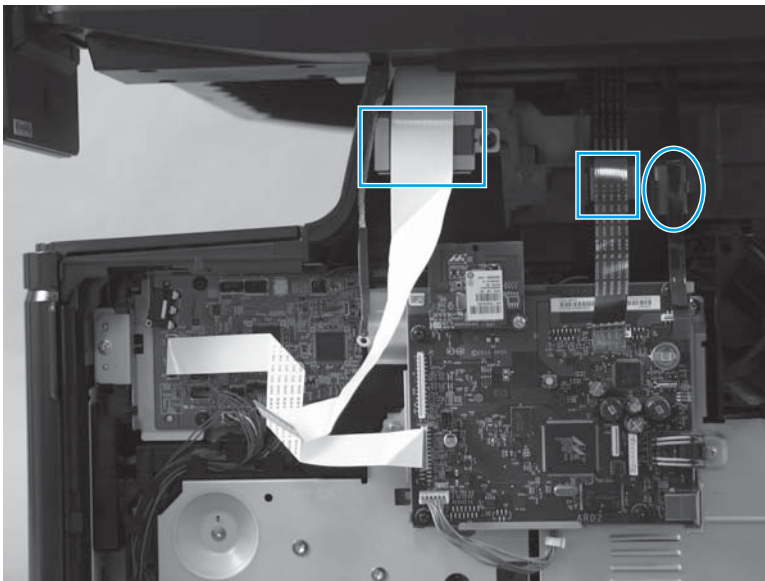
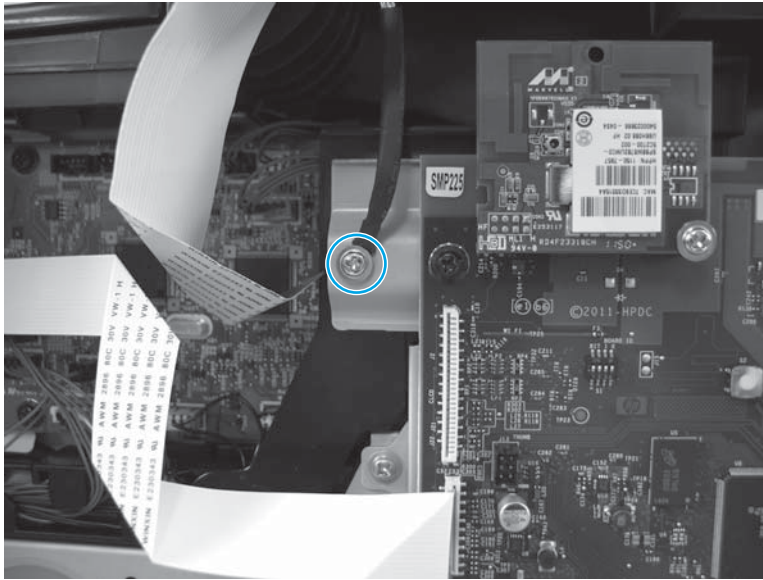


Figure 1-60 Remove the SSA (3 of 6)



4. Disconnect the ground wire.

Figure 1-61 Remove the SSA (4 of 6)



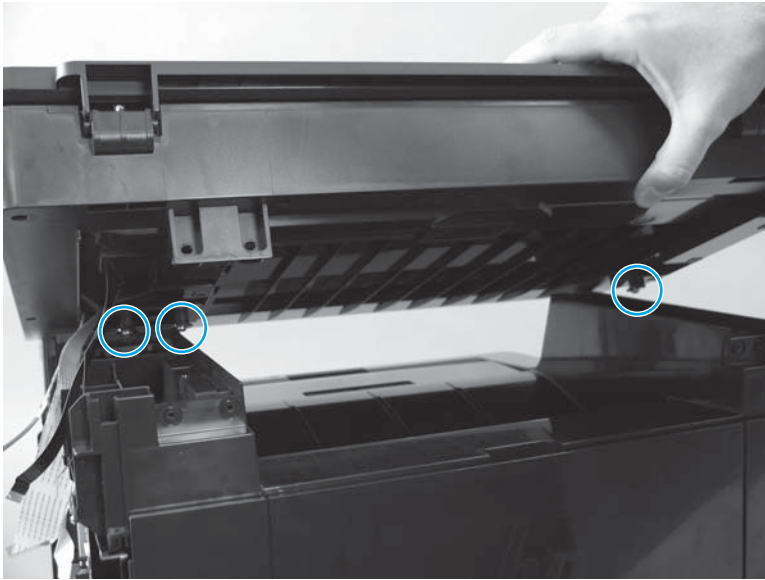
5. Remove four screws.

Figure 1-62 Remove the SSA (5 of 6)



6. Slide the SSA back and then up to release three studs from the top cover. Remove the SSA.

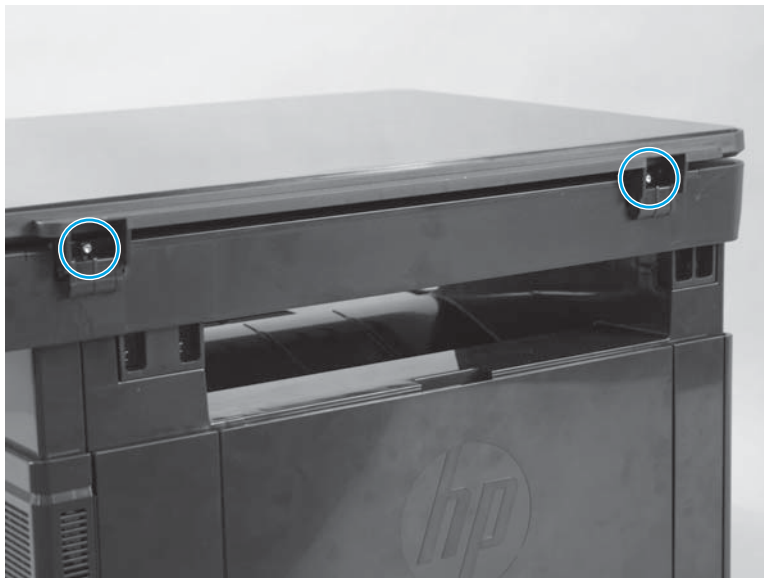
Figure 1-63 Remove the SSA (6 of 6)



Scanner subassembly (SSA) lid

1. Remove two screws using a Torx® screw driver.

Figure 1-64 Remove the SSA lid (1 of 2)



2. Lift the SSA lid up to remove it.

Figure 1-65 Remove the SSA lid (2 of 2)



Control panel

1. Before proceeding, remove the following:
 - SSA. See [Scanner subassembly \(SSA\) on page 37](#).
2. Place the SSA upside down on a level surface.

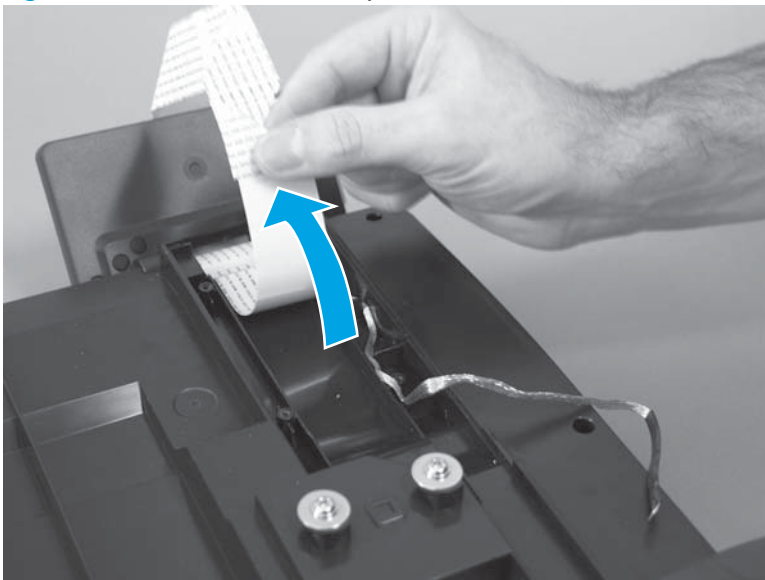
3. Remove four screws, and then remove the control panel cover.

Figure 1-66 Remove the control panel (1 of 4)



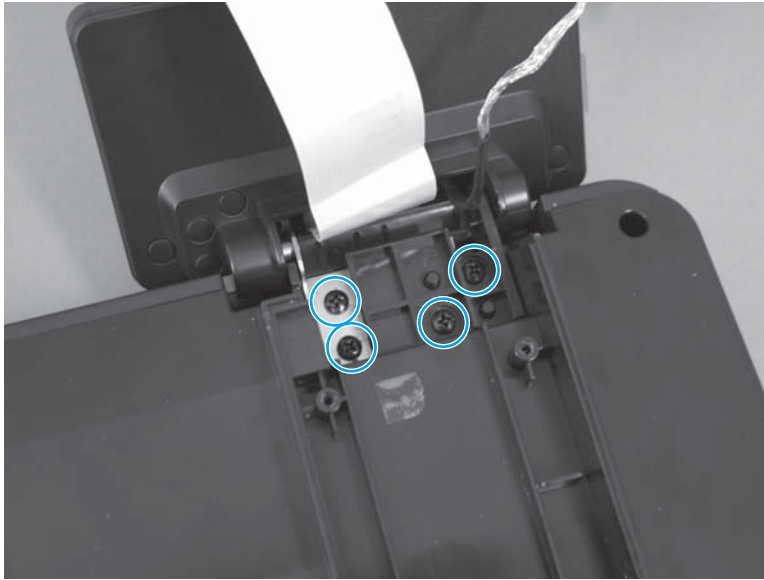
4. Carefully lift up on the adhesive-backed control panel FFC and release it from the SSA.

Figure 1-67 Remove the control panel (2 of 4)



5. Remove four screws, and then remove the control panel ground wire from the retainers on the SSA.

Figure 1-68 Remove the control panel (3 of 4)



6. Remove the control panel.

Figure 1-69 Remove the control panel (4 of 4)

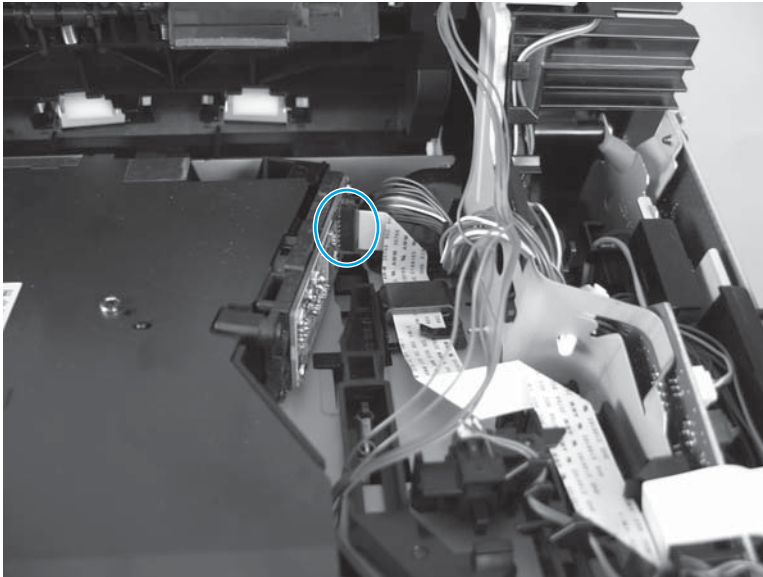


Internal assemblies

Laser/scanner

1. Before proceeding, remove the following:
 - Right cover assembly. See [Right cover assembly on page 17](#).
 - Lower back cover or duplexer. See [Lower back cover on page 18](#) or [Duplexer on page 74](#).
 - SSA. See [Scanner subassembly \(SSA\) on page 37](#).
 - Rear-cover assembly. See [Rear-cover assembly on page 18](#).
 - Top cover. See [Top cover on page 19](#).
 - Face-down cover. See [Face-down cover on page 21](#).
2. Disconnect one flat flexible cable.

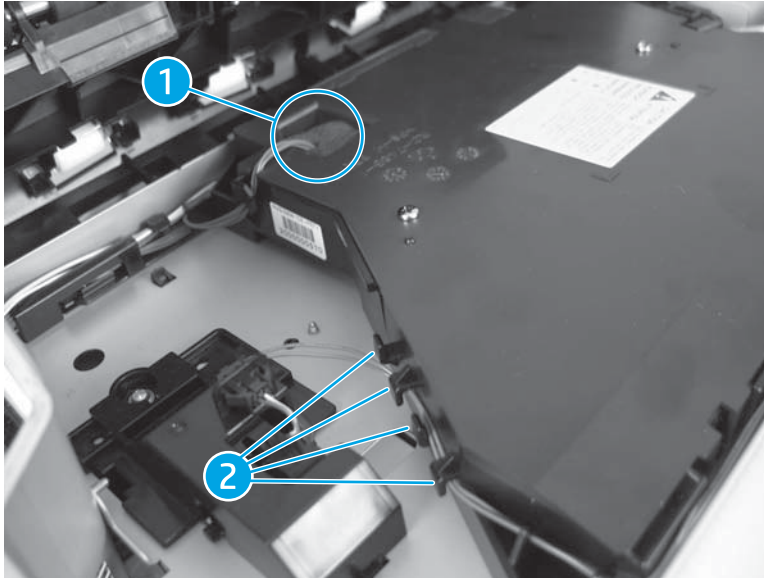
Figure 1-70 Remove the laser/scanner (1 of 3)



3. Remove the foam cover, and then disconnect one connector (callout 1) and release it from the cable guide. Release the wire harness (callout 2) from the retainer on the laser/scanner assembly.

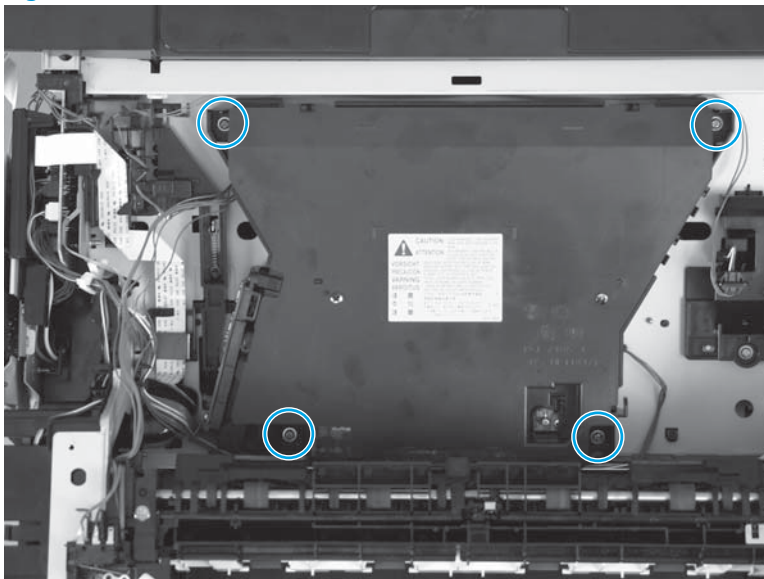
 **NOTE:** Do not disconnect the connector for the wire harness (callout 2).

Figure 1-71 Remove the laser/scanner (2 of 3)



4. Remove four screws and remove the laser/scanner.

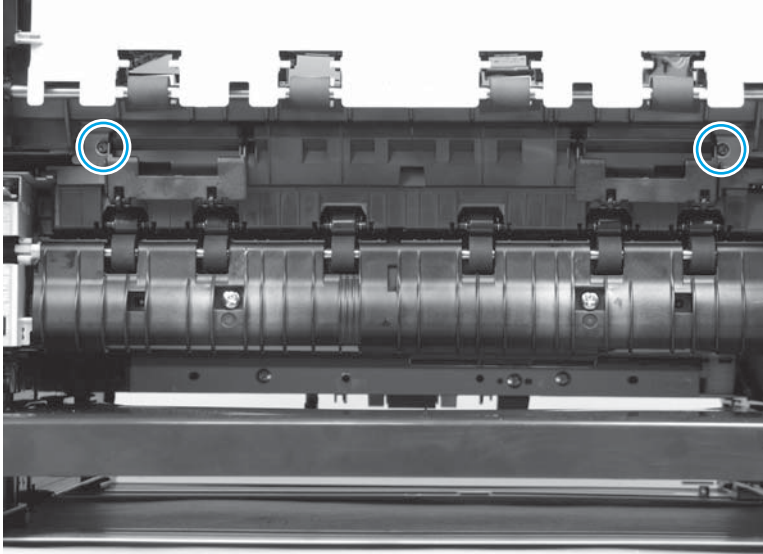
Figure 1-72 Remove the laser/scanner (3 of 3)



Fuser

1. Before proceeding, remove the following:
 - Right cover assembly. See [Right cover assembly on page 17](#).
 - Lower back cover or duplexer. See [Lower back cover on page 18](#) or [Duplexer on page 74](#).
 - Rear-cover assembly. See [Rear-cover assembly on page 18](#).
2. Remove two screws, hold the middle of the fuser, and then pull it out of the product to remove it.

Figure 1-73 Remove the fuser

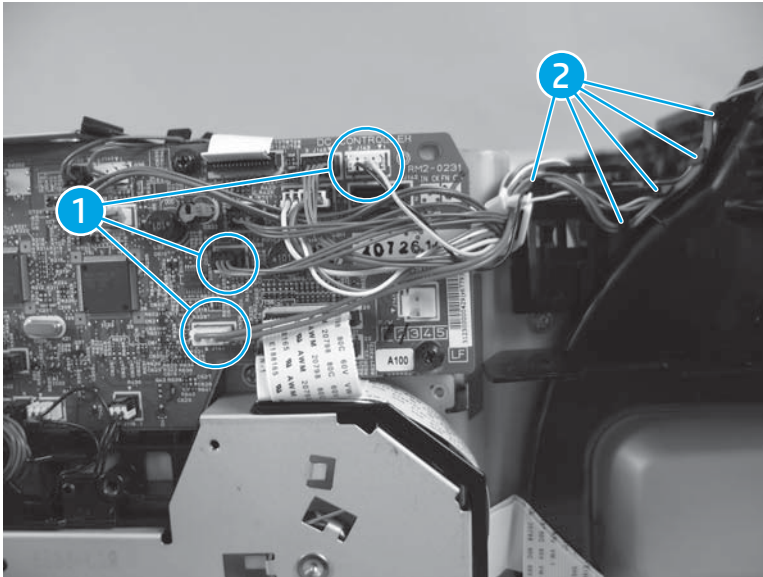


Fuser motor

1. Before proceeding, remove the following:
 - Lower back cover or duplexer. See [Lower back cover on page 18](#) or [Duplexer on page 74](#).
 - Left cover. See [Left cover on page 21](#).
 - Top cover. See [Top cover on page 19](#).

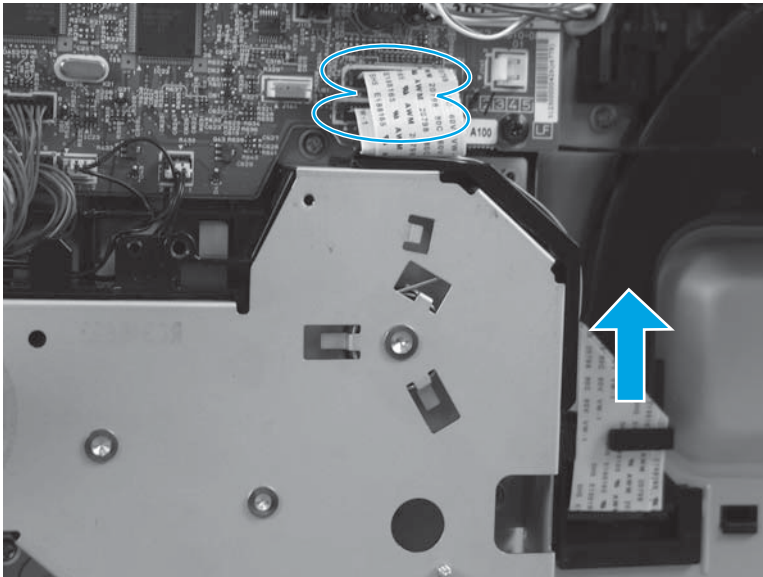
2. Disconnect three connectors (callout 1) from the DC controller, and then remove the wire harness from the cable guide (callout 2).

Figure 1-75 Remove the main fan (1 of 3)



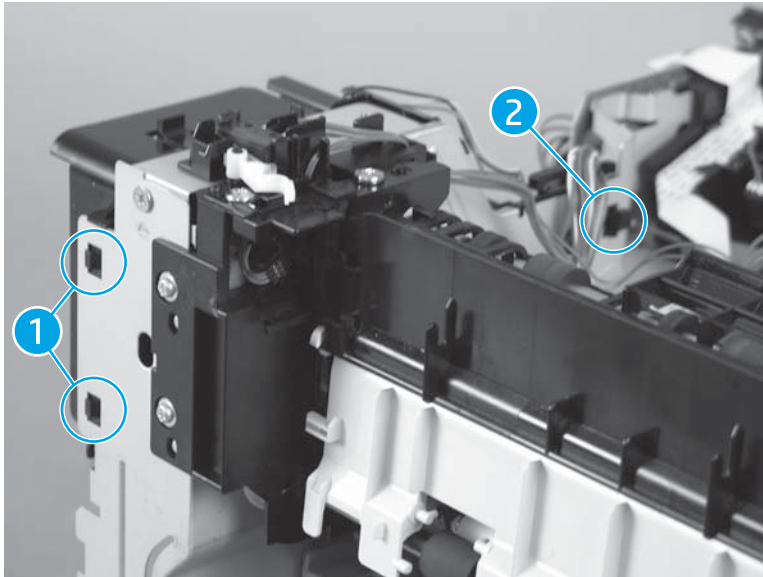
3. Disconnect two FFCs from the DC controller, and then remove the FFCs from the cable guide.

Figure 1-76 Remove the main fan (2 of 3)



4. Release two tabs on the back-corner of the chassis (callout 1), and then release one tab on the top of the chassis (callout 2). Remove the main fan.

Figure 1-77 Remove the main fan (3 of 3)

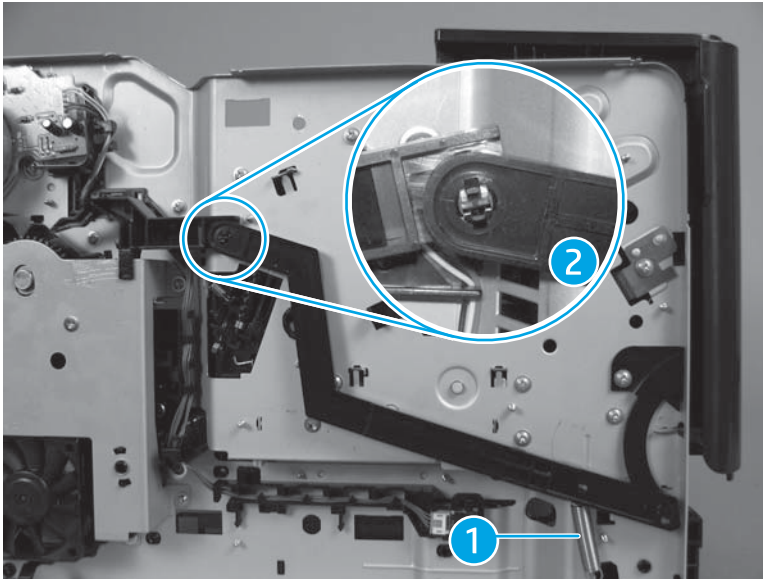


Left fan

1. Before proceeding, remove the following:
 - Right cover assembly. See [Right cover assembly on page 17](#).
 - SSA. See [Scanner subassembly \(SSA\) on page 37](#).
 - Top cover. See [Top cover on page 19](#).
 - Left cover. See [Left cover on page 21](#).
2. On the left side of the product, close the cartridge door and release one spring (callout 1).

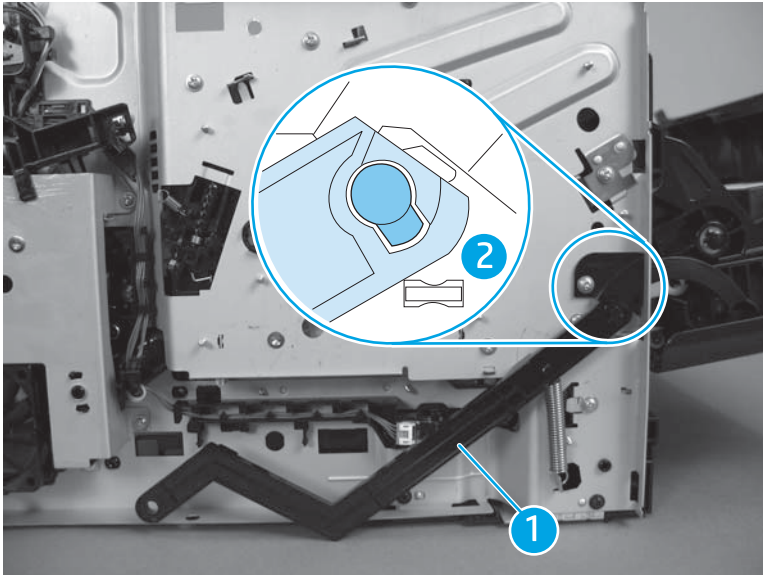
3. Use needle-nose pliers to unhook the tabs (callout 2) on the plastic arm.

Figure 1-78 Remove the sub fan (1 of 5)



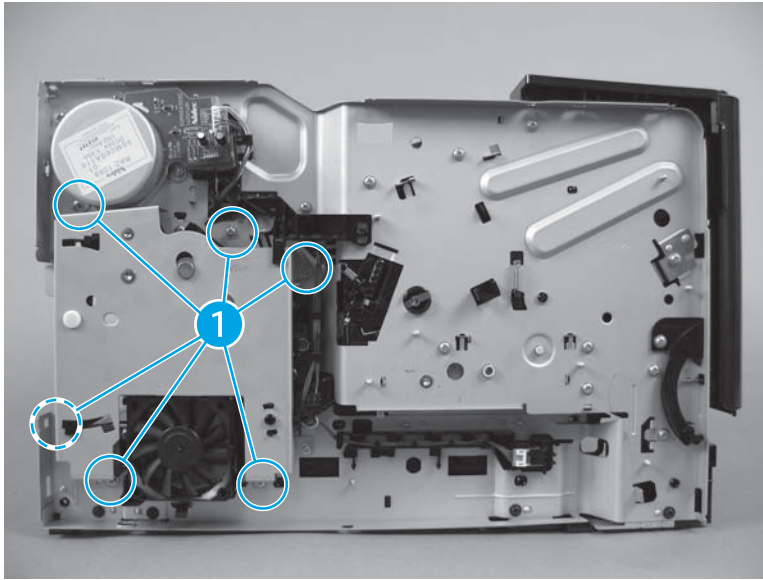
4. Open the cartridge door.
5. Rotate the plastic arm (callout 1) down to unhook the plastic arm from the tab (callout 2).

Figure 1-79 Remove the sub fan (2 of 5)



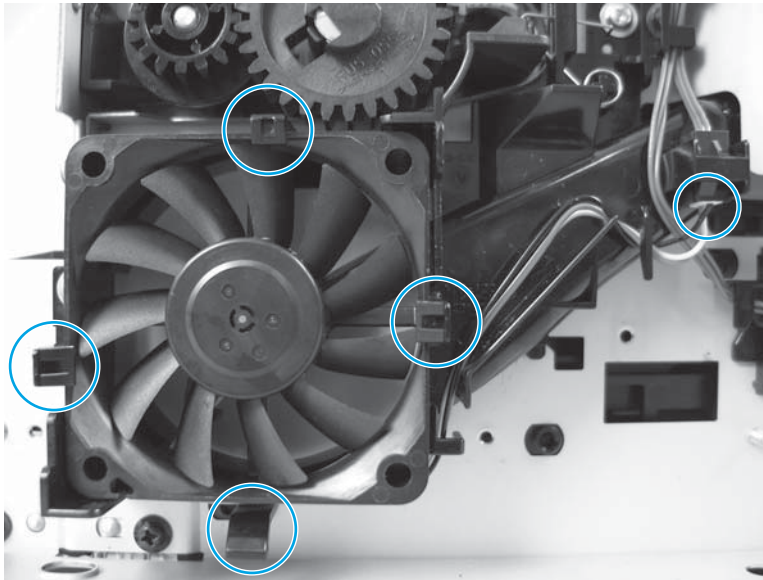
6. Remove six screws, and then remove the fuser drive plate.

Figure 1-80 Remove the sub fan (3 of 5)



7. Disconnect one connector, and then release four tabs. Remove the sub fan.

Figure 1-81 Remove the sub fan (4 of 5)




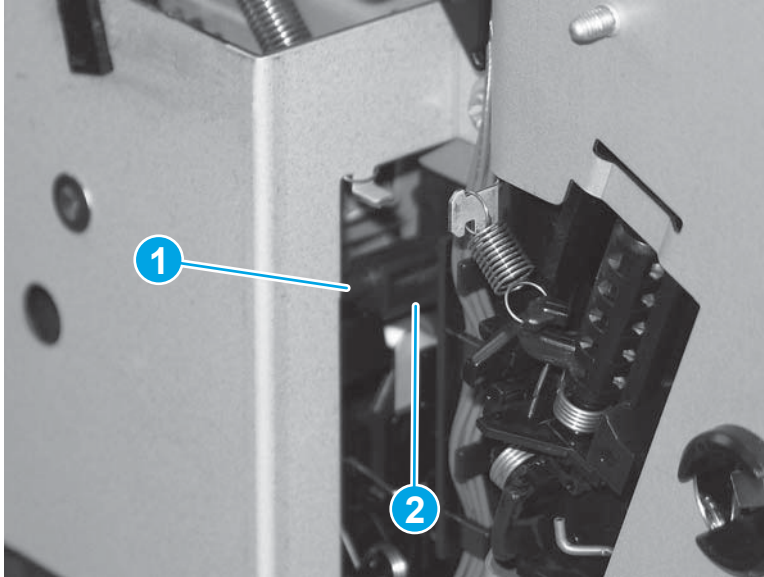
 **TIP:** When you reinstall the fuser drive plate, make sure that you insert the tab (callout 1) into the arm (callout 2).

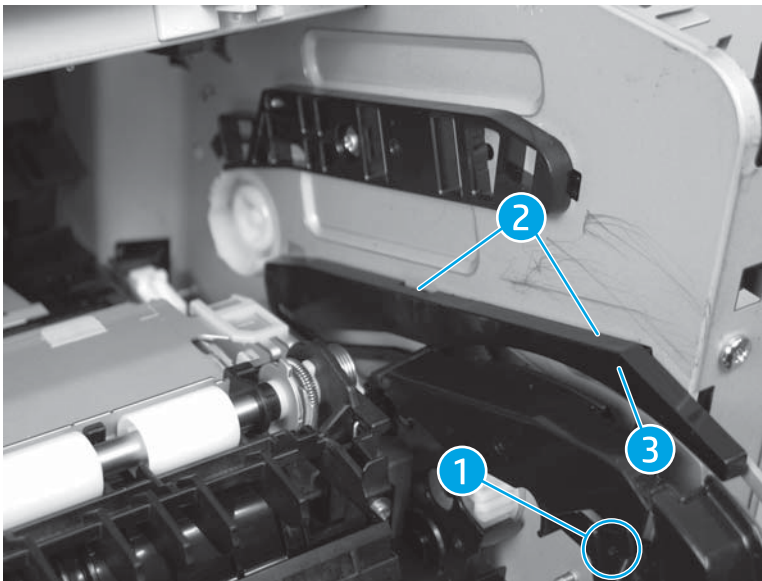
Figure 1-82 Remove the sub fan (5 of 5)



Registration unit

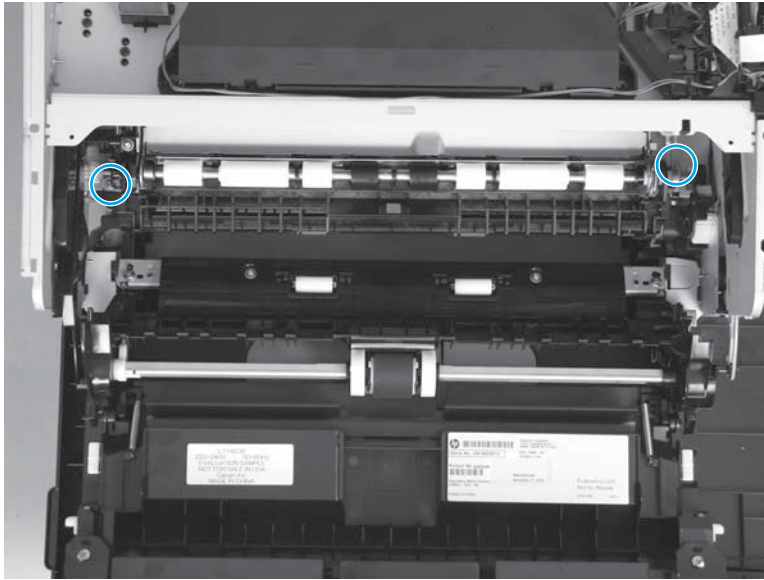
1. Before proceeding, remove the following:
 - Right cover assembly. See [Right cover assembly on page 17](#).
 - SSA. See [Scanner subassembly \(SSA\) on page 37](#).
2. Open the print-cartridge door.
3. Use needle-nose pliers to release two tabs (callout 1). Release two tabs (callout 2) on the gear cover (callout 3), and then slide the gear cover forward to remove.

Figure 1-83 Remove the registration unit (1 of 2)



4. Remove two screws and then lift up the registration unit to remove.

Figure 1-84 Remove the registration unit (2 of 2)

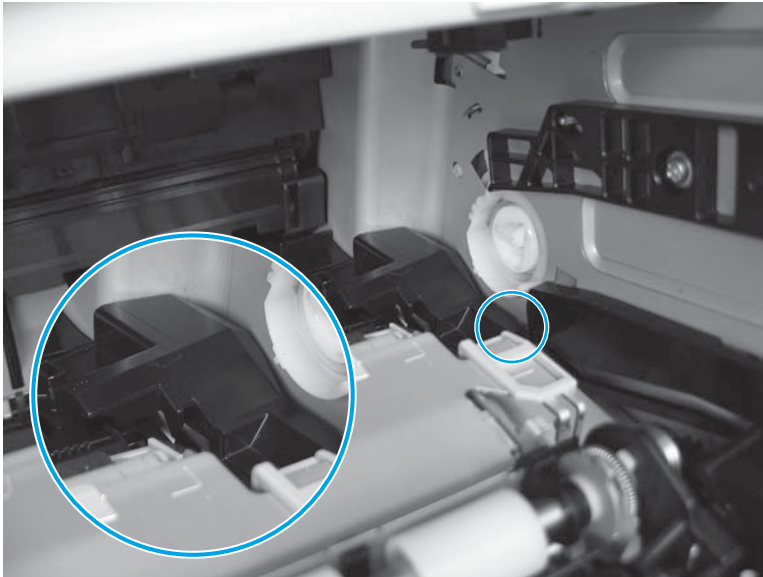


Paper-feed assembly

1. Before proceeding, remove the following:
 - Right cover assembly. See [Right cover assembly on page 17](#).
 - SSA. See [Scanner subassembly \(SSA\) on page 37](#).
 - Registration unit. See [Registration unit on page 52](#).
 - Fuser. See [Fuser on page 46](#).
 - Transfer roller. See [Transfer roller on page 16](#).

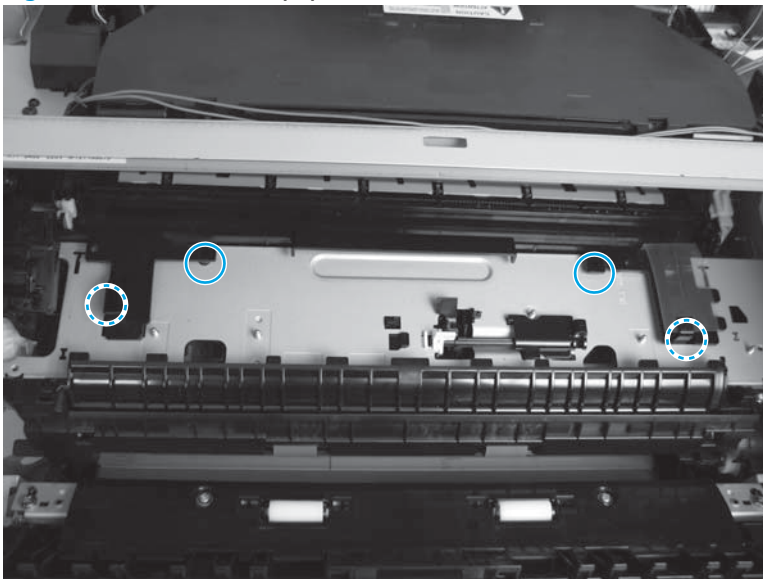
2. Use a flatblade screwdriver, at the indicated location, to release the connector cover. Remove the connector cover.

Figure 1-85 Remove the paper-feed unit (1 of 3)



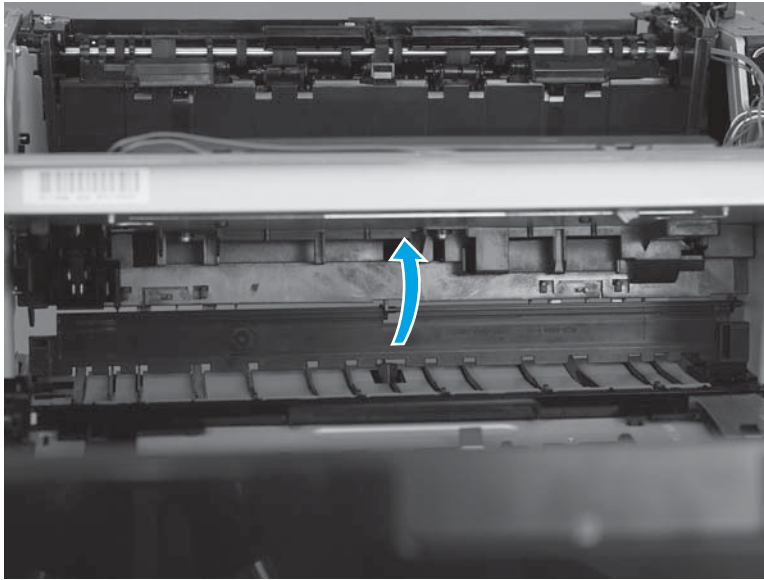
3. Remove the registration unit. See [Registration unit on page 52](#).
4. Unhook four tabs.

Figure 1-86 Remove the paper-feed unit (2 of 3)



5. Hold up the fuser shutter, and then remove the paper feed unit.

Figure 1-87 Remove the paper-feed unit (3 of 3)

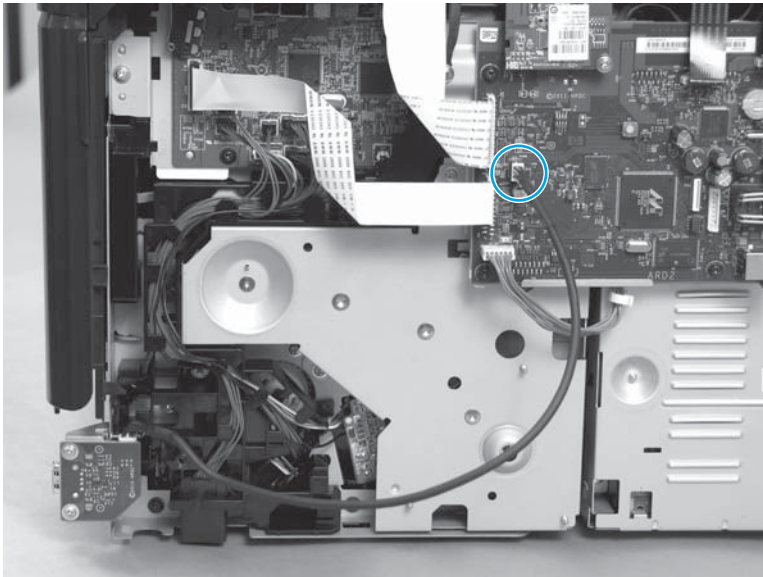


Printed circuit assemblies (PCAs)

Front USB PCA

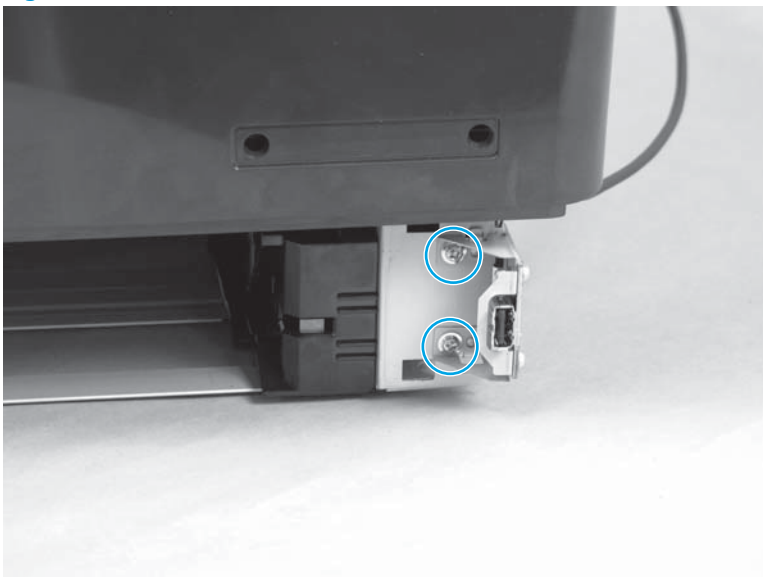
1. Before proceeding, remove the following:
 - Right cover assembly. See [Right cover assembly on page 17](#).
 - Tray 2. See [Tray 2 on page 22](#).
 - Right cassette cover. See [Right cassette cover on page 25](#).
2. Disconnect the Front USB PCA cable from the formatter PCA.

Figure 1-88 Remove the Front USB PCA (1 of 4)



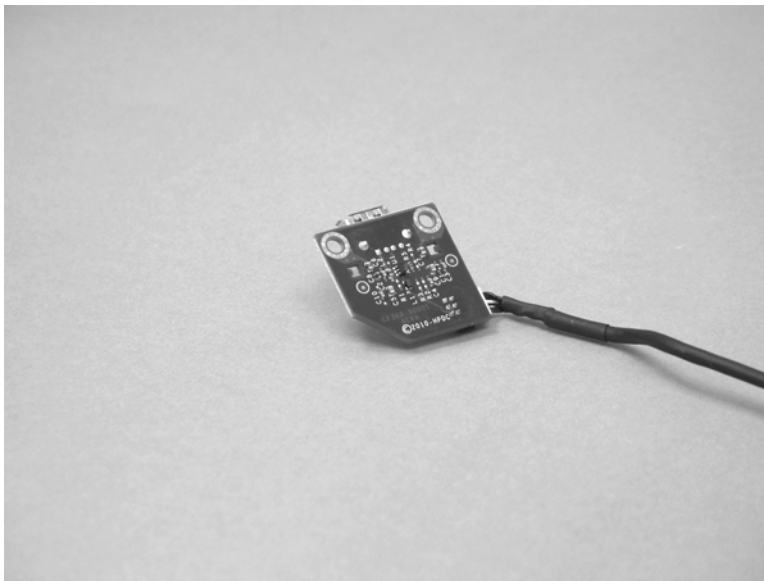
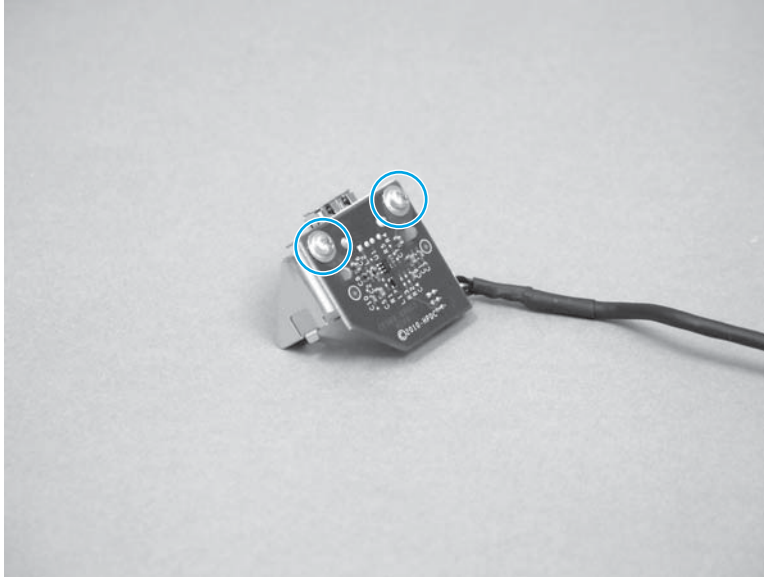
3. Remove two screws, and then remove the Front USB PCA mounting bracket from the chassis.

Figure 1-89 Remove the Front USB PCA (2 of 4)



4. Place the Front USB PCA and mounting bracket on a level work place, remove two screws, and then separate the Front USB PCA from the mounting bracket.

Figure 1-90 Remove the Front USB PCA (3 of 4)



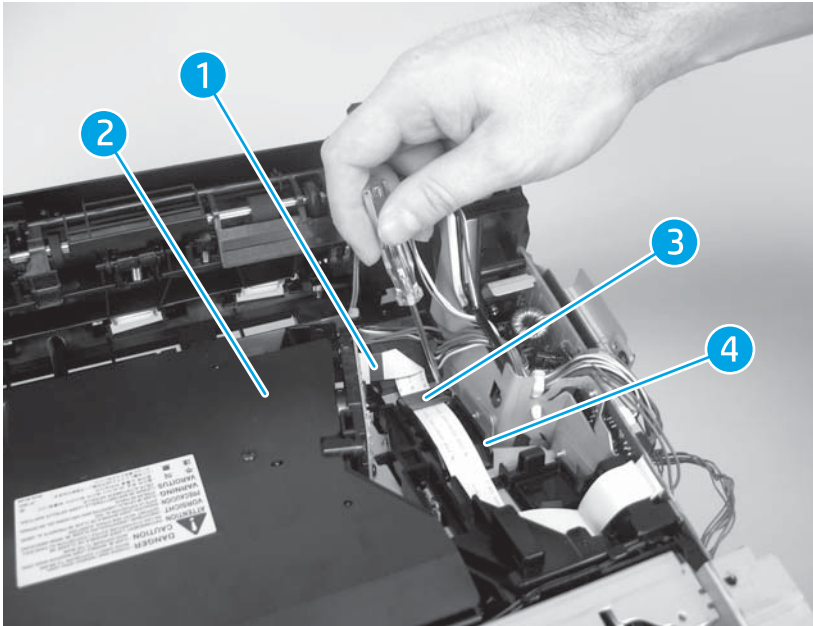
5. Disconnect the USB cable from the Front USB PCA.

DC controller PCA

1. Before proceeding, remove the following:
 - Right cover assembly. See [Right cover assembly on page 17](#).
 - Formatter PCA. See [Formatter and Wi-Fi PCAs on page 59](#).
 - SSA. See [Scanner subassembly \(SSA\) on page 37](#).
2. On the top of the product, disconnect one flat flexible cable (callout 1) from the laser/scanner (callout 2).

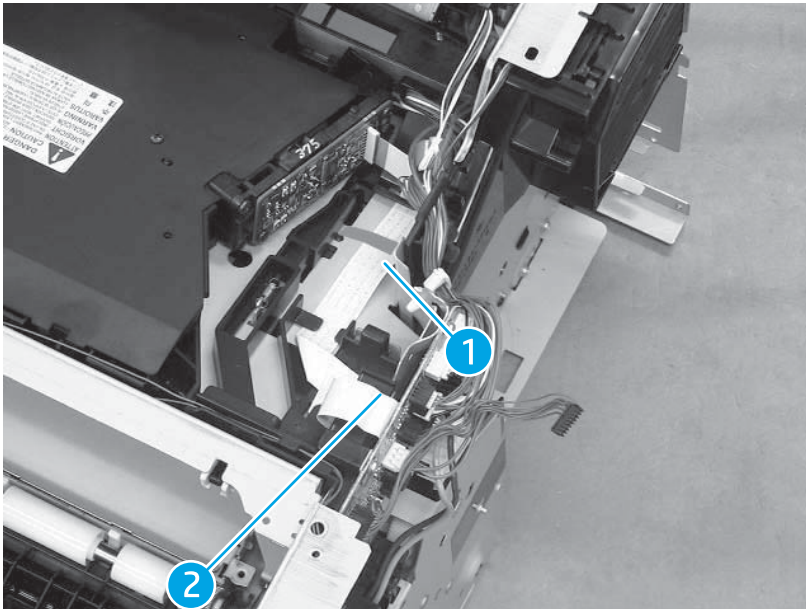
3. Use a flatblade screwdriver to release the ferrite block (callout 3) from the plastic holder (callout 4).

Figure 1-91 Remove the DC controller (1 of 4)



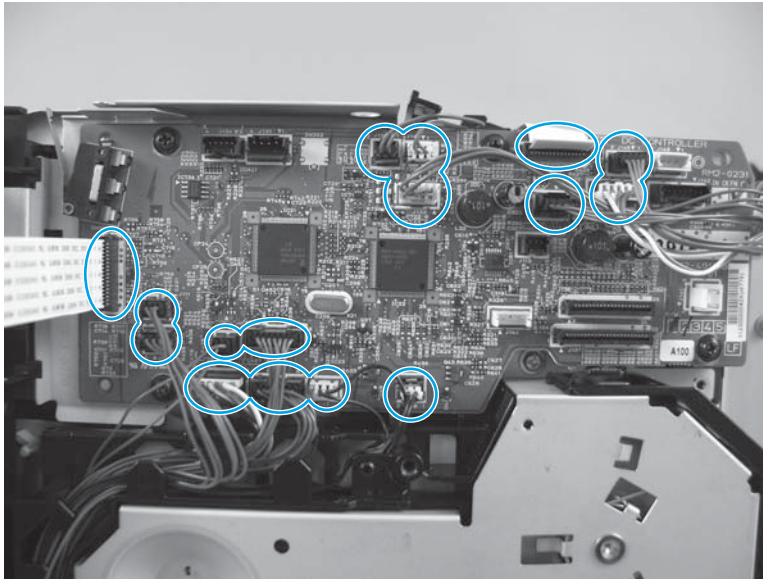
4. Release one flat flexible cable (callout 1) from the cable guide (callout 2).

Figure 1-92 Remove the DC controller (2 of 4)



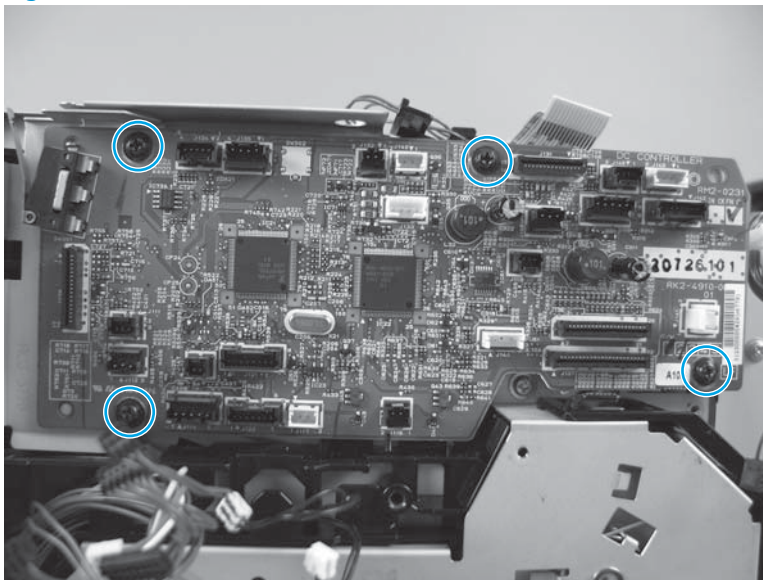
5. Disconnect 14 connectors and two flat flexible cables.

Figure 1-93 Remove the DC controller (3 of 4)



6. Remove four screws and then remove the DC controller PCA.

Figure 1-94 Remove the DC controller (4 of 4)

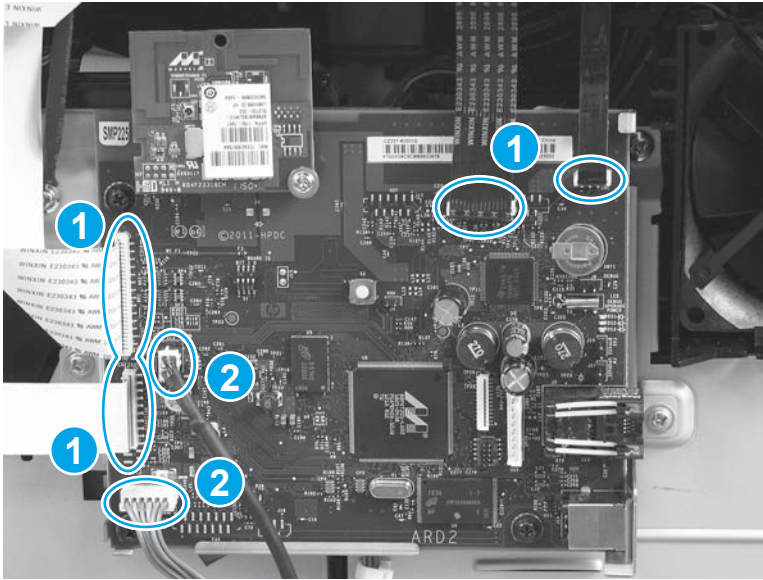


Formatter and Wi-Fi PCAs

1. Remove the right cover assembly. See [Right cover assembly on page 17](#).

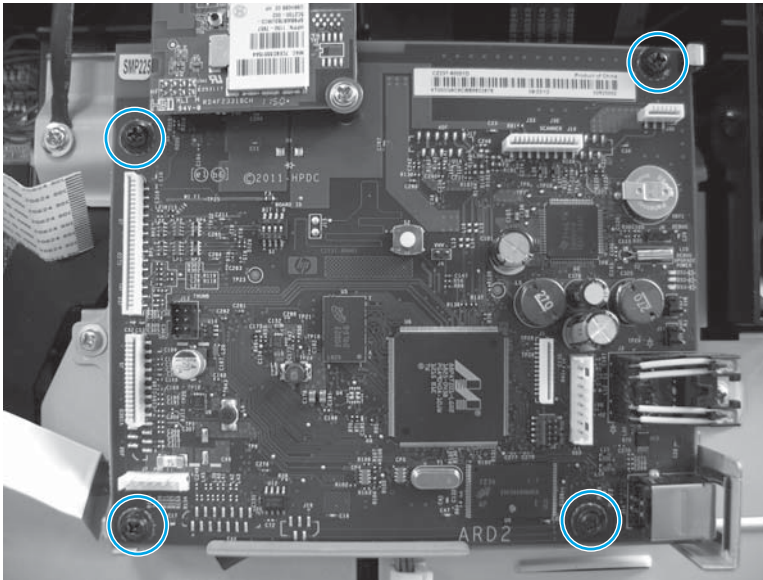
2. Remove four FFCs (callout 1), and two connectors (callout 2) on the formatter PCA.

Figure 1-95 Remove the formatter and Wi-Fi PCAs (1 of 3)



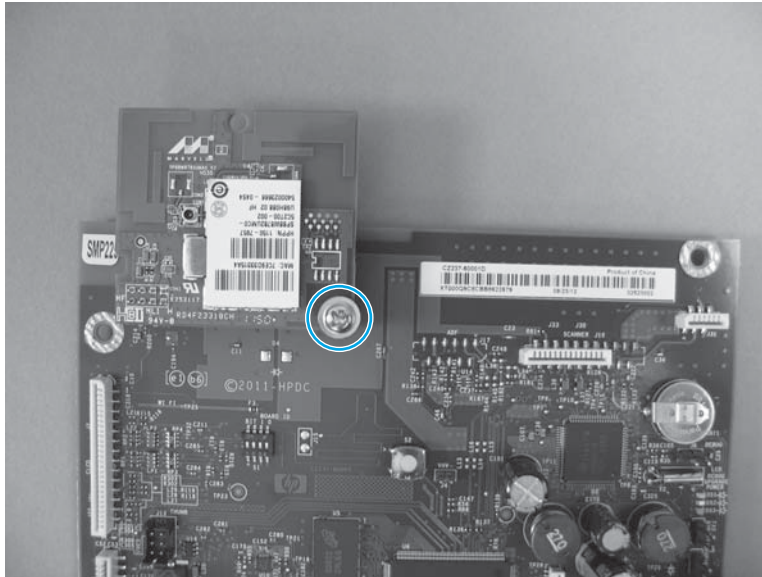
3. Remove four screws, and then remove the formatter PCA.

Figure 1-96 Remove the formatter and Wi-Fi PCAs (2 of 3)




4. Place the formatter PCA on a level work surface, and then remove one screw. Unplug the Wi-Fi PCA from the formatter PCA to remove the Wi-Fi PCA.

Figure 1-97 Remove the formatter and Wi-Fi PCAs (3 of 3)



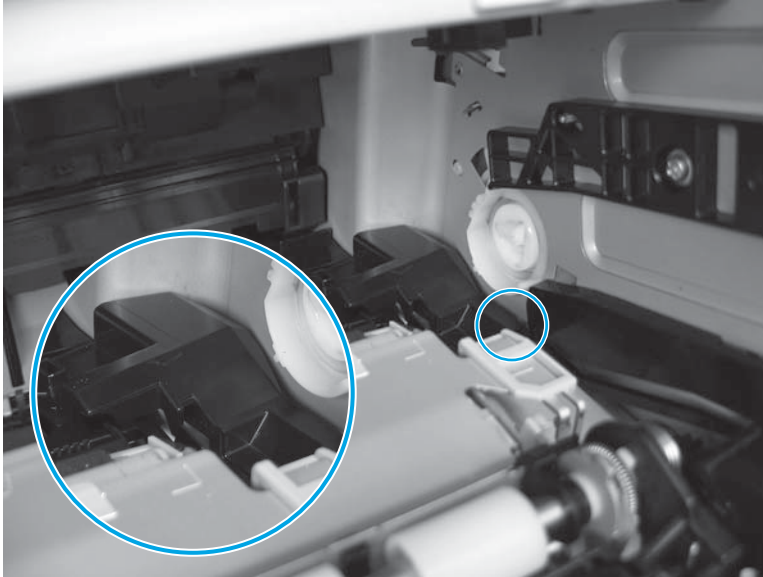
High-voltage power supply

 **NOTE:** You do *not* need to remove the cartridge door unit to remove the high-voltage power supply, but you must remove the registration unit.

1. Before proceeding, remove the following:
 - Right cover assembly. See [Right cover assembly on page 17](#).
 - Formatter PCA. See [Formatter and Wi-Fi PCAs on page 59](#).
 - Lower back cover or duplexer. See [Lower back cover on page 18](#) or [Duplexer on page 74](#).
 - SSA. See [Scanner subassembly \(SSA\) on page 37](#).
 - Rear-cover assembly. See [Rear-cover assembly on page 18](#).
 - Top cover. See [Top cover on page 19](#).
 - Left cover. See [Left cover on page 21](#).
 - Transfer roller. See [Transfer roller on page 16](#).
 - Registration unit. [Registration unit on page 52](#)
 - Paper feed unit. See [Paper-feed assembly on page 53](#)
 - Fuser. See [Fuser on page 46](#).

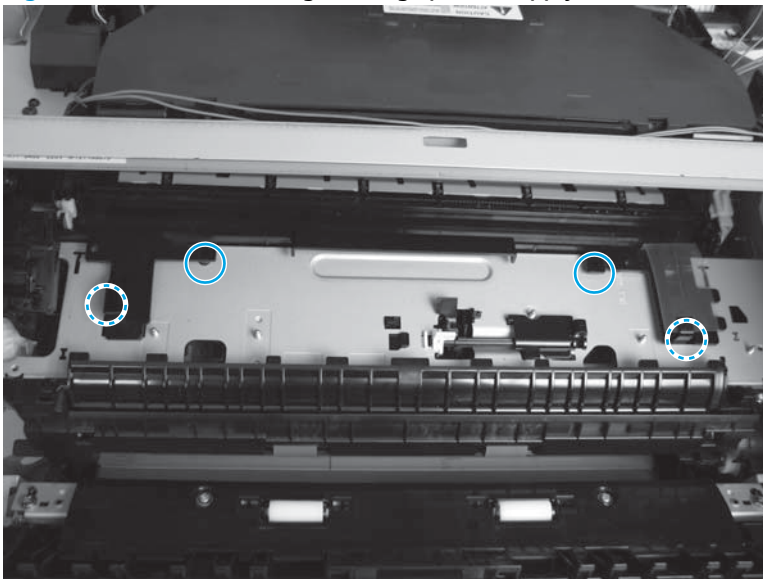
2. Use a flatblade screwdriver to release the connector cover. Put the point of the screwdriver at the indicated location and then remove the connector cover.

Figure 1-98 Remove the high-voltage power supply (1 of 14)



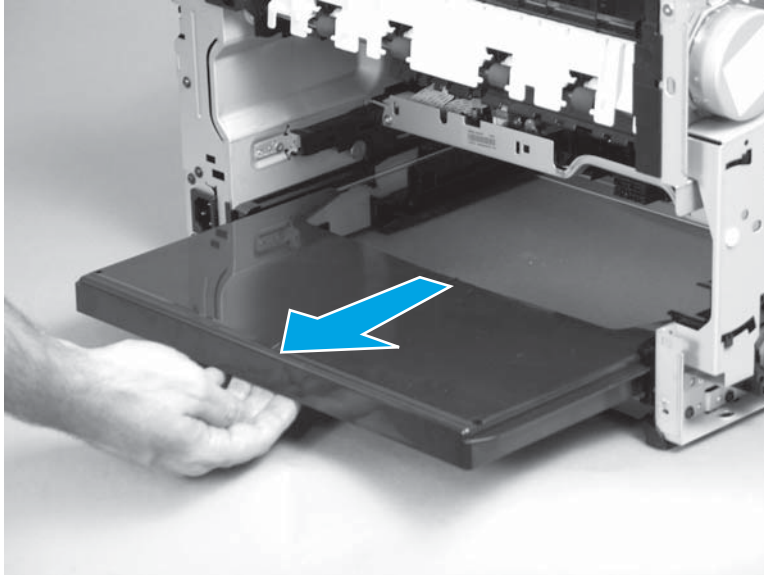
3. Remove the registration unit. See [Registration unit on page 52](#).
4. Unhook four tabs and remove the paper feed unit.

Figure 1-99 Remove the high-voltage power supply (2 of 14)



5. At the back of the product, pull the plastic cover toward you and unhook two springs. Flex the plastic cover by pressing the two sides inward and remove it from the back of the product.

Figure 1-100 Remove the high-voltage power supply (3 of 14)



6. From the back of the product, unhook the front tab on the guide on the left side of the product.


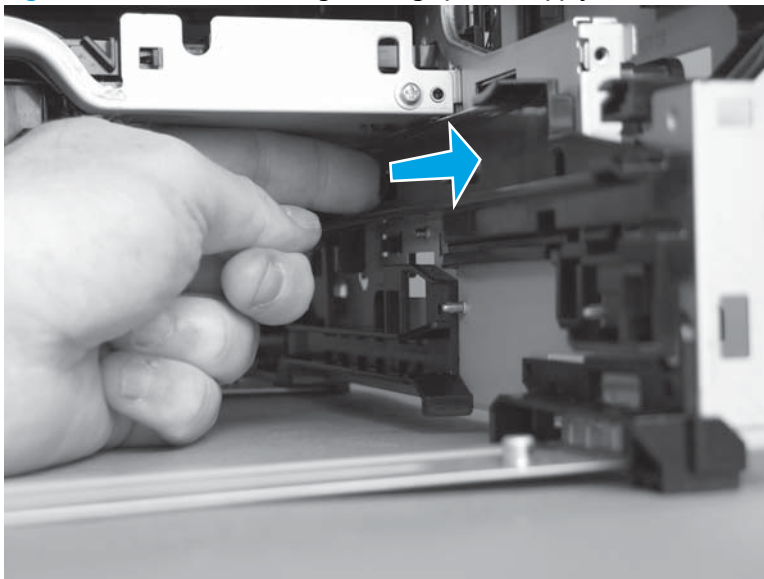
 **NOTE:** This tab is the one furthest from you.

Figure 1-101 Remove the high-voltage power supply (4 of 14)



7. Unhook the rear tab.


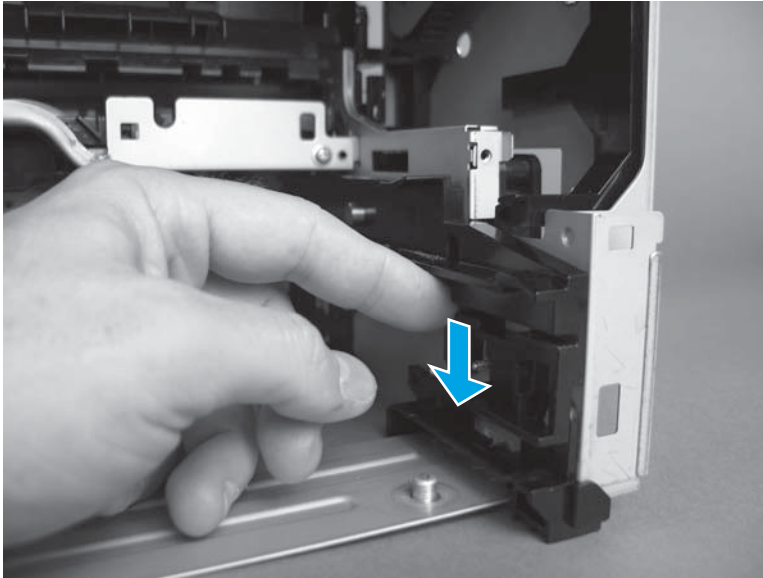
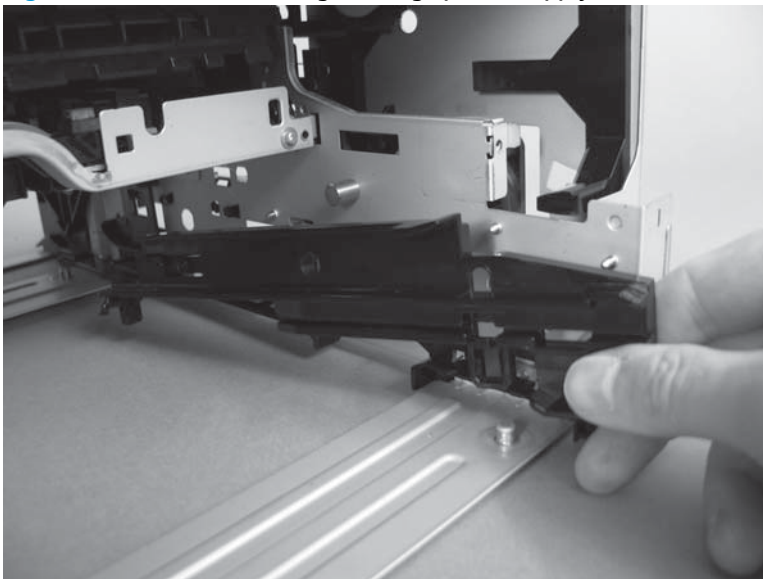
 **NOTE:** This tab is the one closest to you.

Figure 1-102 Remove the high-voltage power supply (5 of 14)



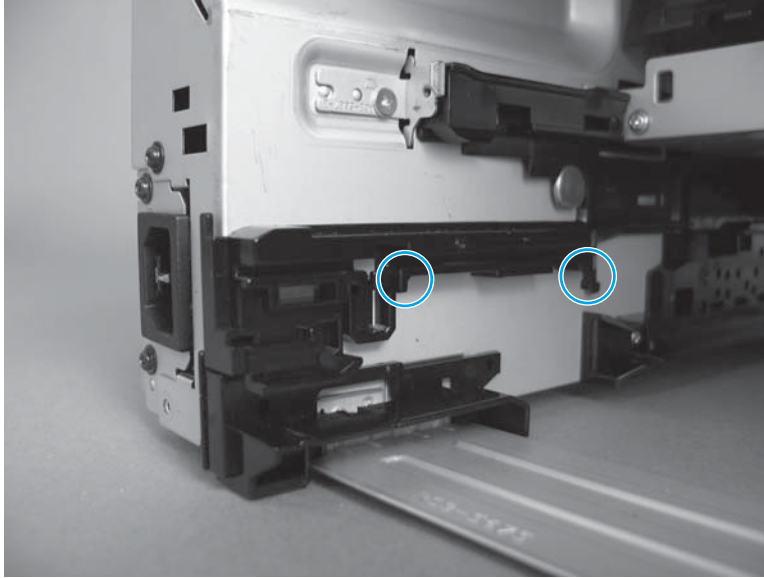
8. From the back lower left of the product, slightly turn the guide upward and move it to the left to remove it.


Figure 1-103 Remove the high-voltage power supply (6 of 14)



9. Unhook two tabs on the right side of the product and remove the guide.

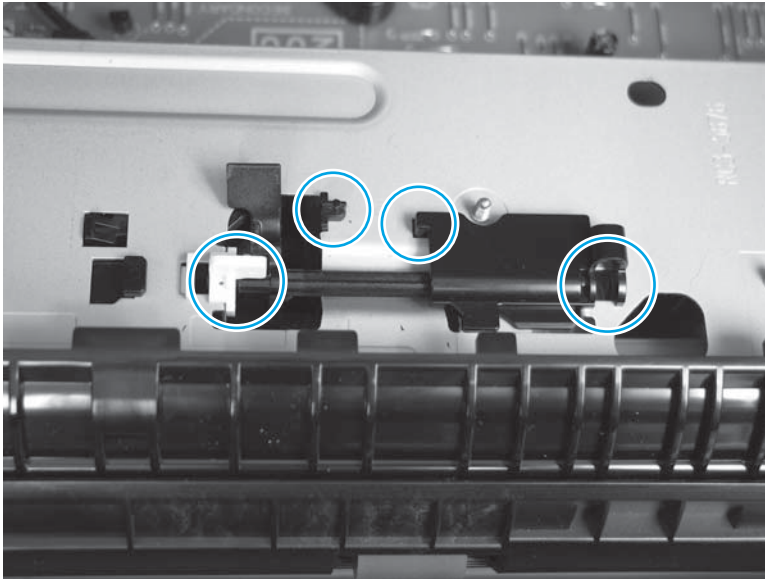
Figure 1-104 Remove the high-voltage power supply (7 of 14)



 **TIP:** When you reinstall, install the rear tab and then the front tab.

10. Unhook four tabs, and then remove the sensor flag and two bushings.

Figure 1-105 Remove the high-voltage power supply (8 of 14)




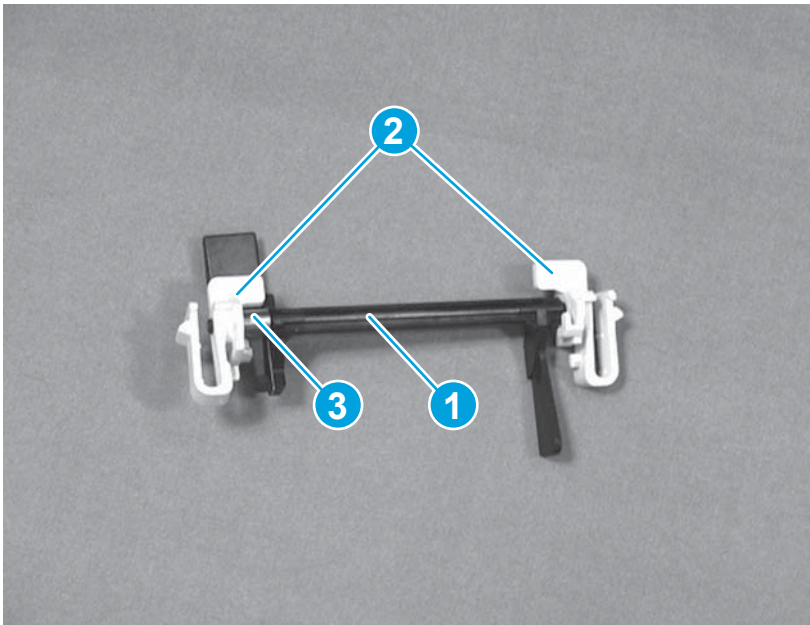
 **NOTE:** Before you reinstall the sensor flag, preset the sensor lever (callout 1), two bushings (callout 2), and one spring (callout 3).

Figure 1-106 Remove the high-voltage power supply (9 of 14)



11. Disconnect two flat flexible cables (callout 1) and one connector (callout 2) from the high-voltage power supply PCA.


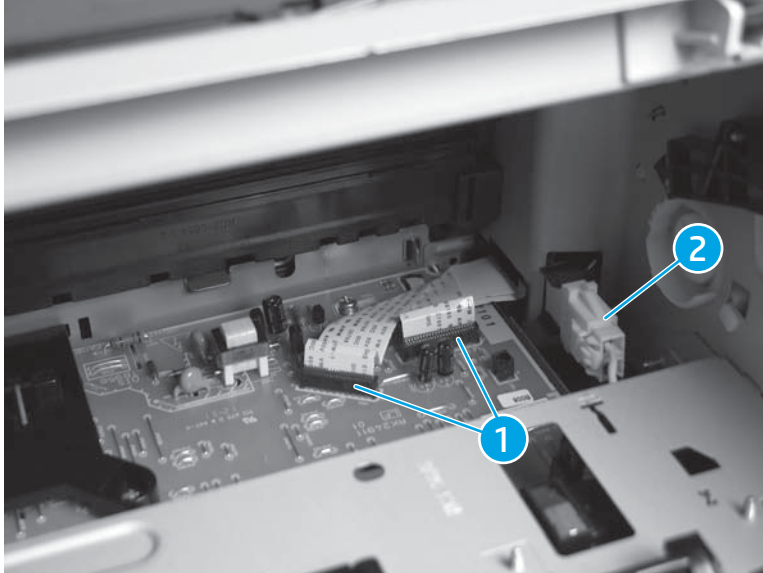
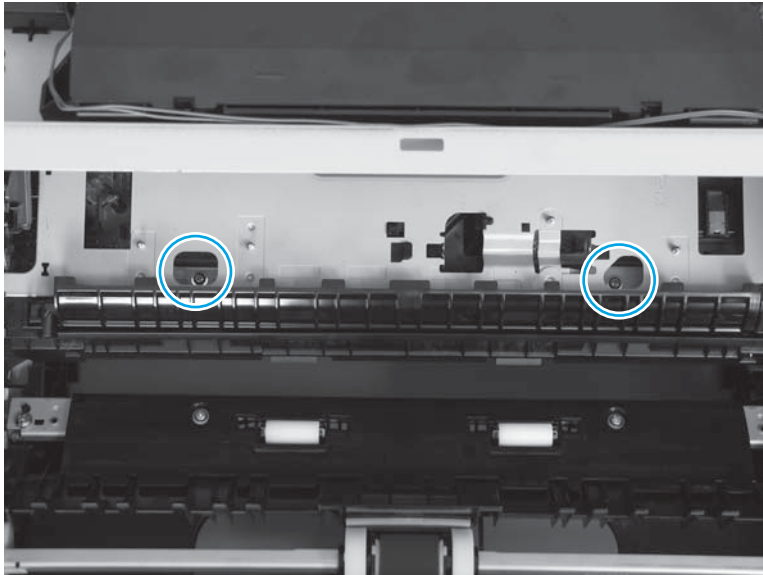
 **NOTE:** The connector (callout 2) release is on the left side of the connector. Push the connector release when disconnecting the connector.

Figure 1-107 Remove the high-voltage power supply (10 of 14)



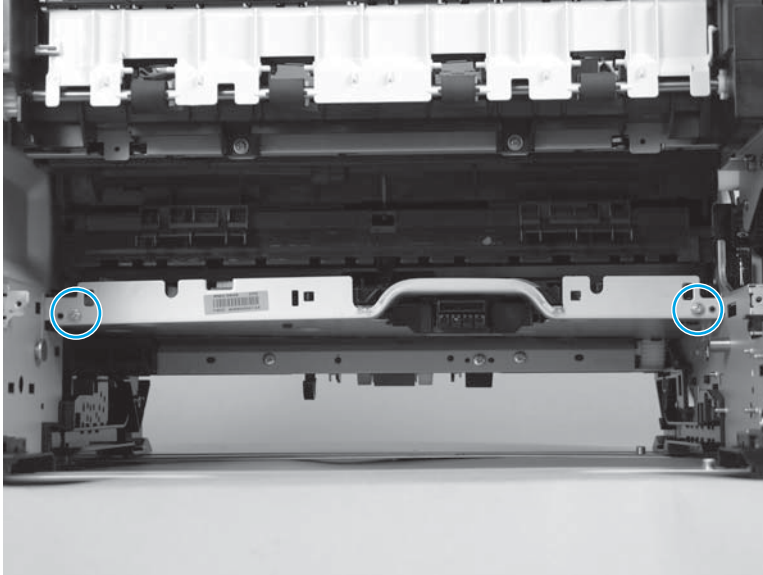
12. Remove two screws at the front of the product.

Figure 1-108 Remove the high-voltage power supply (11 of 14)



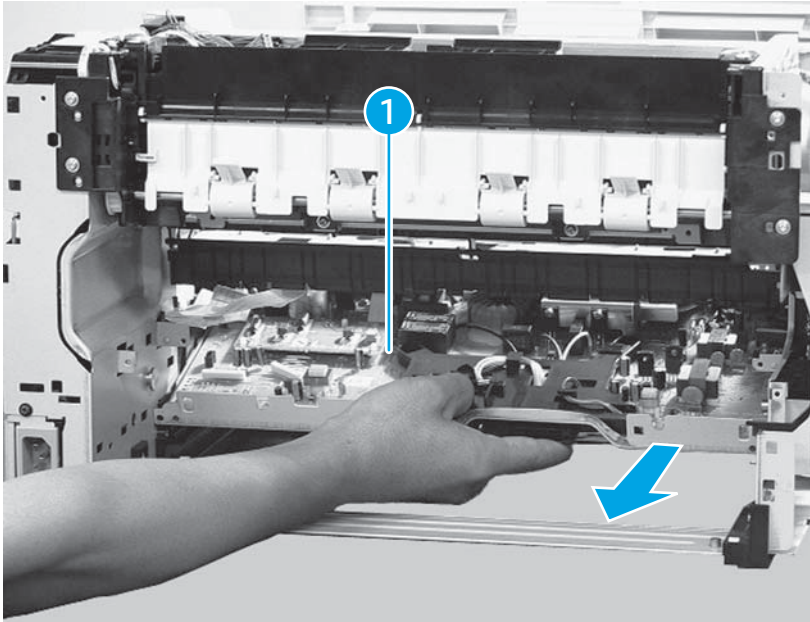
13. Remove two screws at the back of the product, and then pull the high-voltage power supply out of the back of the chassis to remove.

Figure 1-109 Remove the high-voltage power supply (12 of 14)



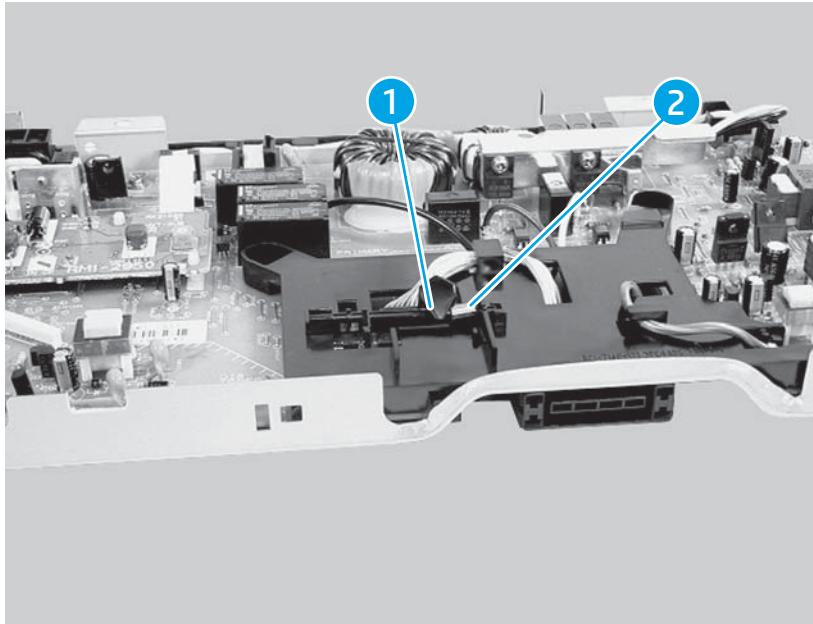
14. Pull the high-voltage power supply (callout 1) toward you slightly and tilt it down to remove it.

Figure 1-110 Remove the high-voltage power supply (13 of 14)



15. Remove the sensor lever (callout 1) and the spring (callout 2) from the high-voltage power supply.

Figure 1-111 Remove the high-voltage power supply (14 of 14)

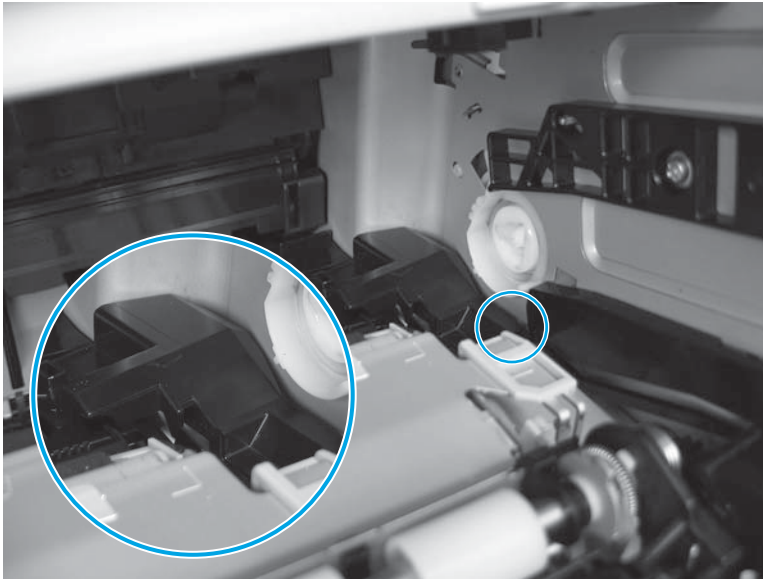


Low-voltage power supply PCA

1. Before proceeding, remove the following:
 - Right cover assembly. See [Right cover assembly on page 17](#).
 - Formatter PCA. See [Formatter and Wi-Fi PCAs on page 59](#).
 - SSA. See [Scanner subassembly \(SSA\) on page 37](#).
 - Rear-cover assembly. See [Rear-cover assembly on page 18](#).
 - Right handle cover. See [Right handle cover on page 25](#).
 - Top cover. See [Top cover on page 19](#).

2. Use a flatblade screwdriver to release the power supply connector cover, and then remove the power supply connector cover.

Figure 1-112 Remove the low-voltage power supply PCA (1 of 6)



3. Use a flatblade screwdriver to disconnect the power supply connector.

 **TIP:** It is easier to disconnect the connector with the paper feed assembly removed.


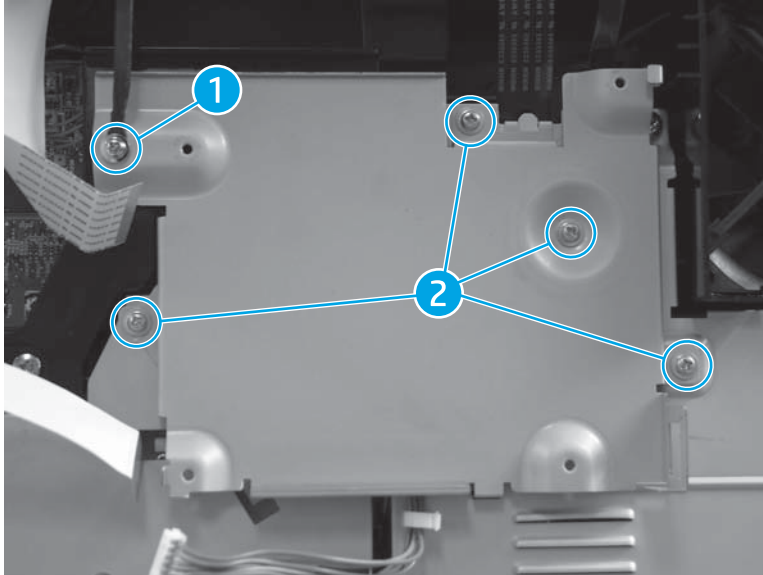
 **NOTE:** The connector release is on the left side of the connector. Push the connector release when disconnecting the connector.

Figure 1-113 Remove the low-voltage power supply PCA (2 of 6)



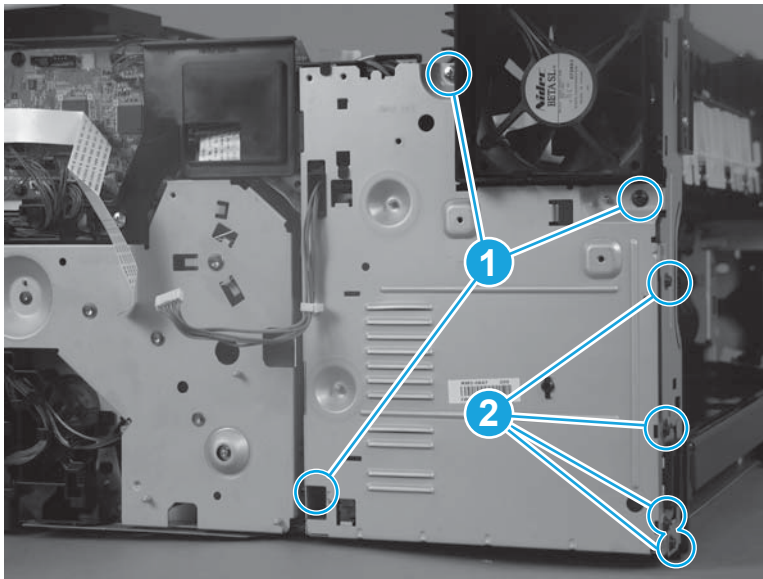
4. Remove one screw for the grounding wire (callout 1), and then remove four screws (callout 2). Remove the formatter PCA mounting plate.

Figure 1-114 Remove the formatter PCA mounting plate



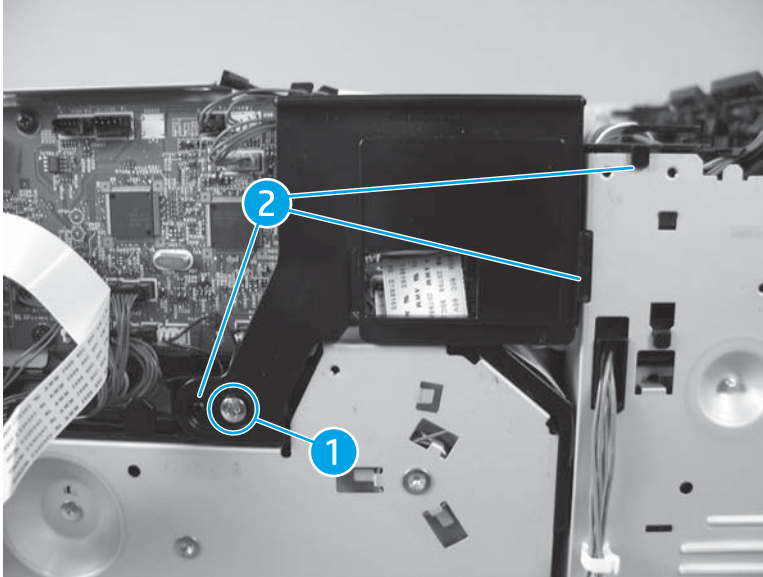
5. Remove three screws from the right-side of the product (callout 1) and four screws from the back of the product (callout 2).

Figure 1-115 Remove the low-voltage power supply PCA (3 of 6)



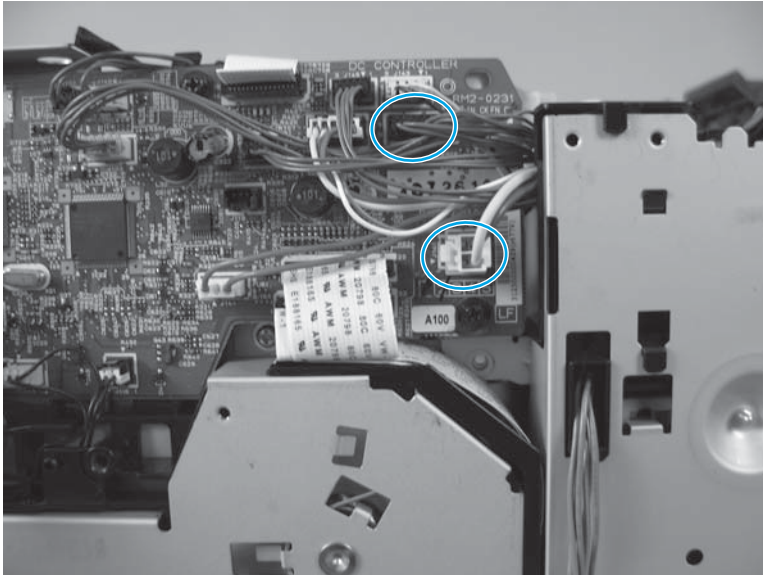
6. Remove one screw (callout 1), release three tabs (callout 2), and then remove the black cover from the DC controller PCA.

Figure 1-116 Remove the low-voltage power supply PCA (4 of 6)



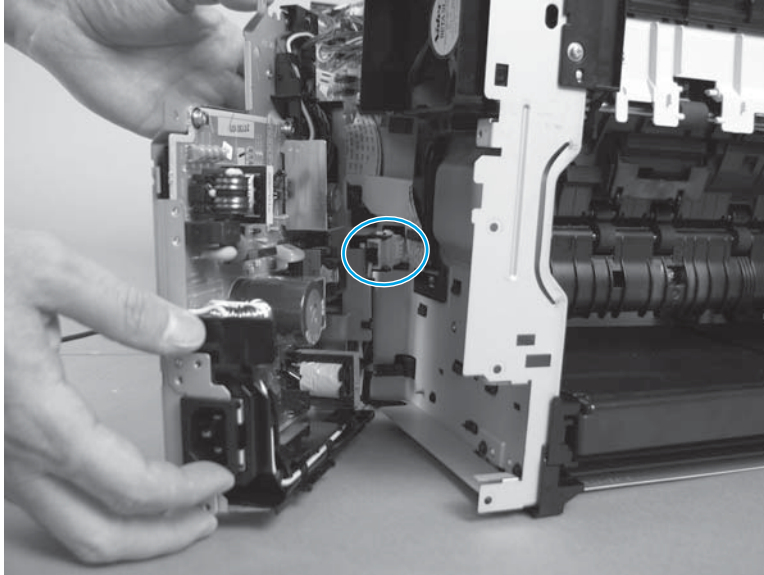
7. Disconnect two connectors.

Figure 1-117 Remove the low-voltage power supply PCA (5 of 6)



8. Carefully pull the low-voltage power supply away from the chassis, making sure the power supply connector clears its hole in the chassis, and remove the low-voltage power supply.

Figure 1-118 Remove the low-voltage power supply PCA (6 of 6)

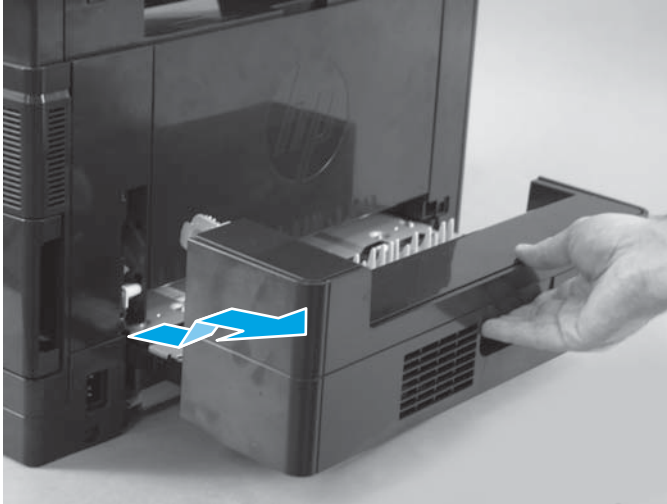


Duplexer

Duplexer

1. At the back of the product, pull out the duplexer until it stops.
2. Lift up the duplexer, and then slightly pull it toward you to remove it.

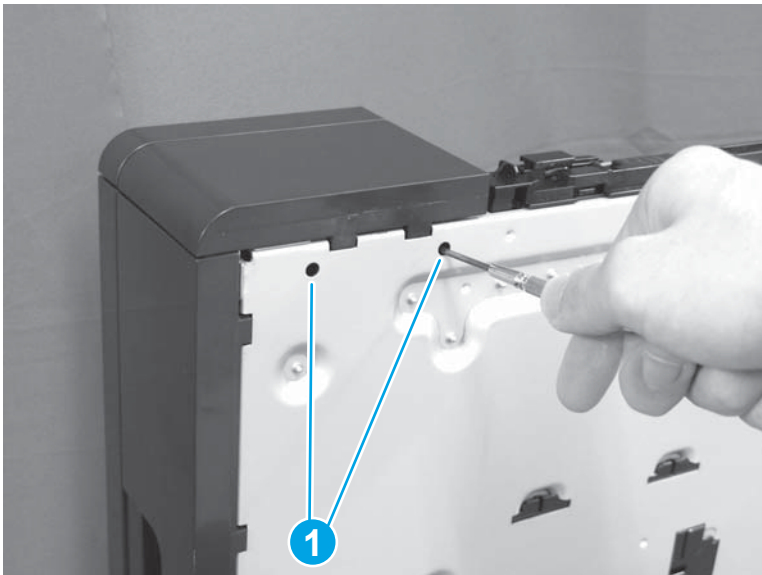
Figure 1-119 Remove the duplexer



Duplexer left cover

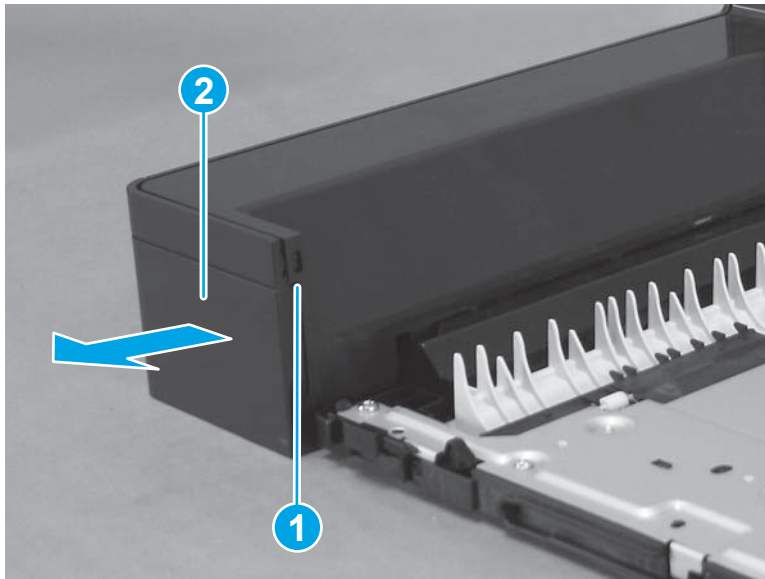
1. Using a flatblade screwdriver, unhook two tabs (callout 1) on the bottom of the duplexer.

Figure 1-120 Remove the duplexer left cover (1 of 2)



2. Release one tab (callout 1) and then hold up and pull the left cover (callout 2) in the direction that the arrow indicates to remove it.

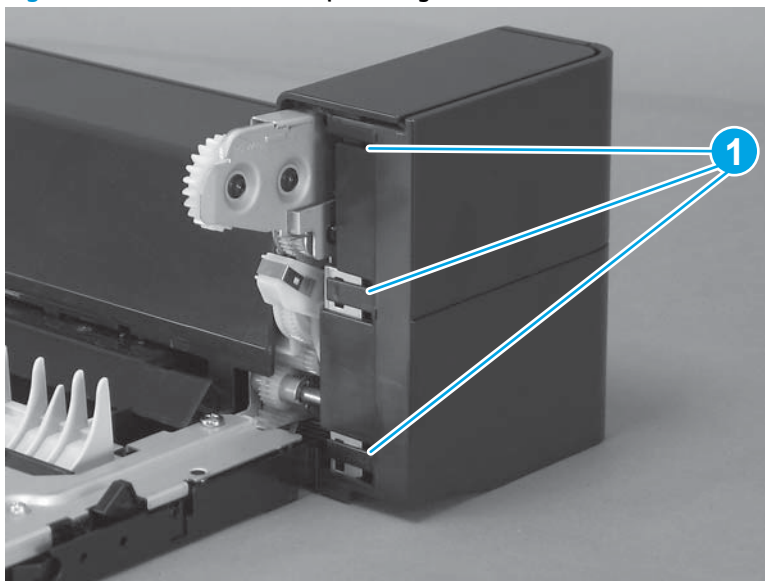
Figure 1-121 Remove the duplexer left cover (2 of 2)



Duplexer right cover

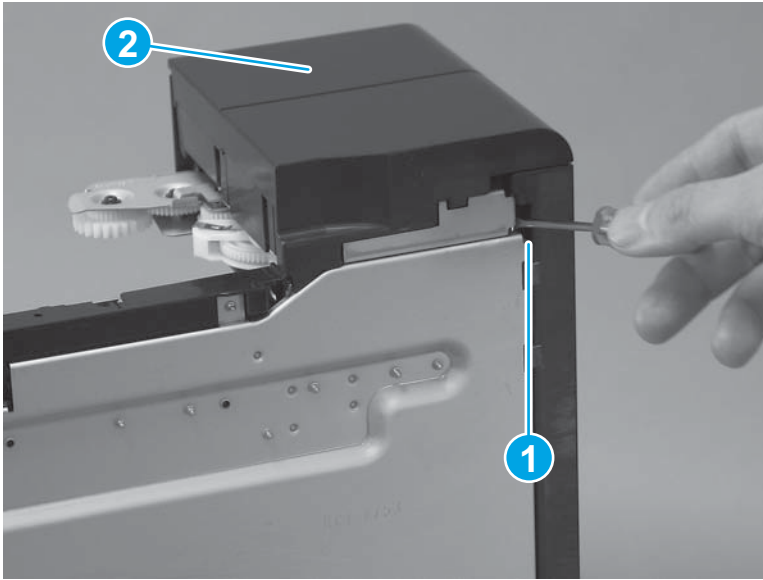
1. Release three tabs (callout 1).

Figure 1-122 Remove the duplexer right cover (1 of 2)



2. Release one tab (callout 1), and then remove the right cover (callout 2).

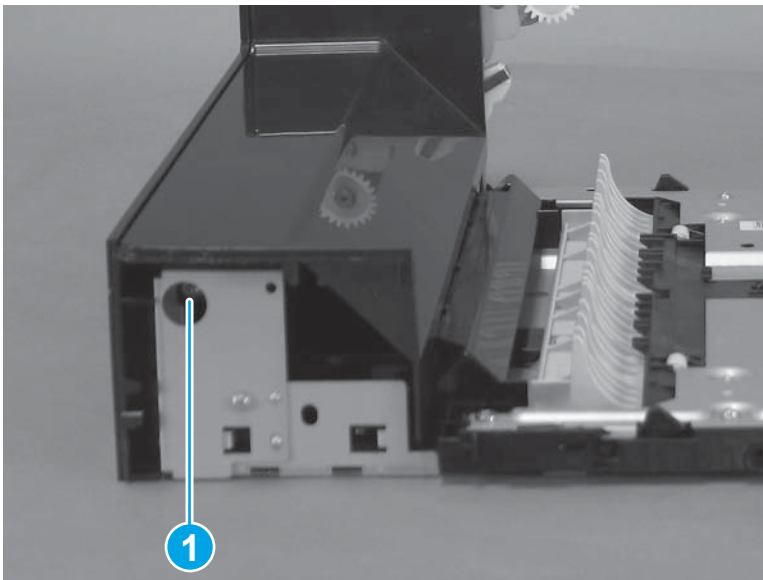
Figure 1-123 Remove the duplexer right cover (2 of 2)



Duplexer top cover

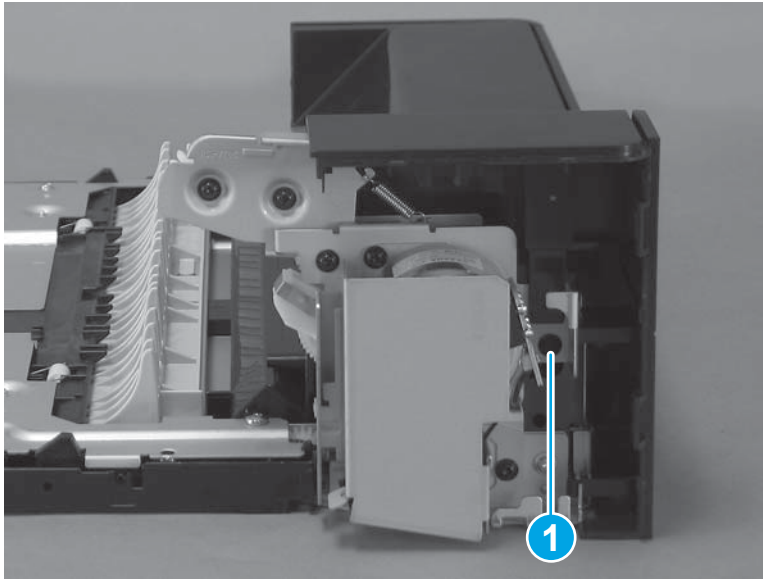
1. Before proceeding, remove the following:
 - Duplexer left cover. See [Duplexer left cover on page 74](#).
 - Duplexer right cover. See [Duplexer right cover on page 75](#).
2. On the right side of the duplexer, remove one screw (callout 1).

Figure 1-124 Remove the duplexer top cover (1 of 3)



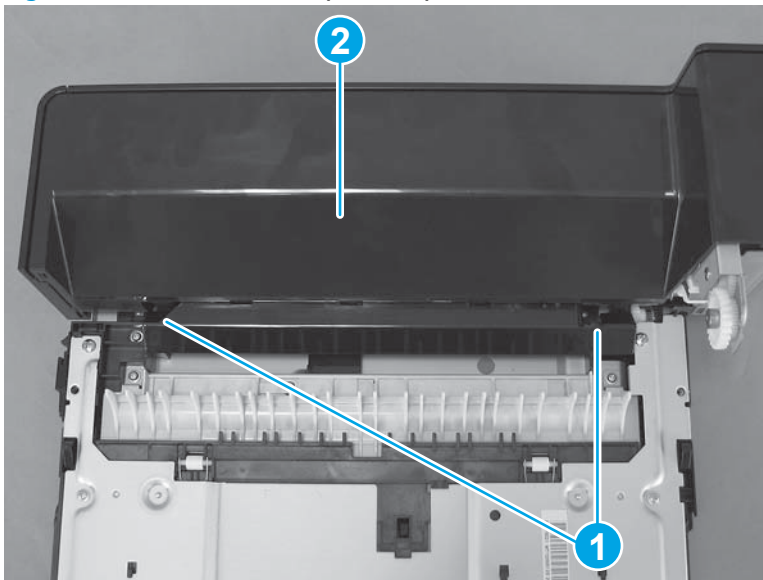
3. Release one boss (callout 1).

Figure 1-125 Remove the duplexer top cover (2 of 3)



4. Release two tabs (callout 1) and then remove the top cover (callout 2).

Figure 1-126 Remove the duplexer top cover (3 of 3)

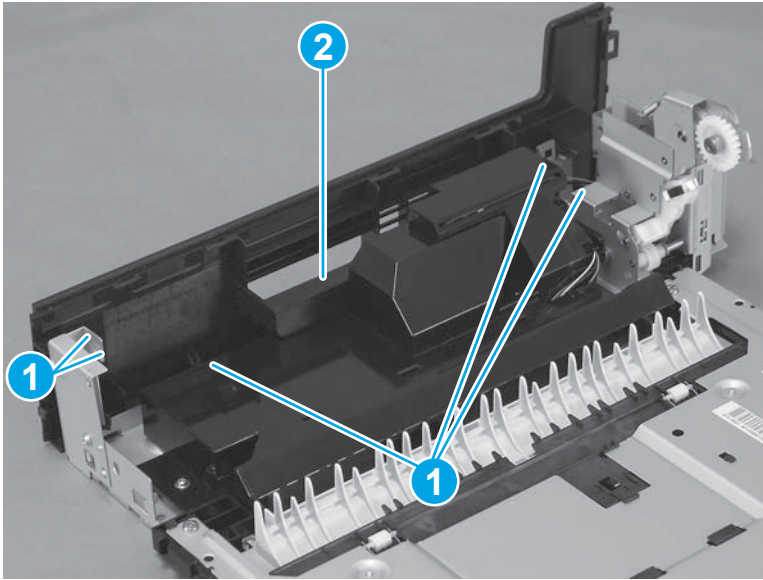


Duplexer rear cover

1. Before proceeding, remove the following:
 - Duplexer right cover. See [Duplexer right cover on page 75](#).
 - Duplexer left cover. See [Duplexer left cover on page 74](#).
 - Duplexer top cover. See [Duplexer top cover on page 76](#).

2. Release five tabs (callout 1), and then remove the rear cover (callout 2).

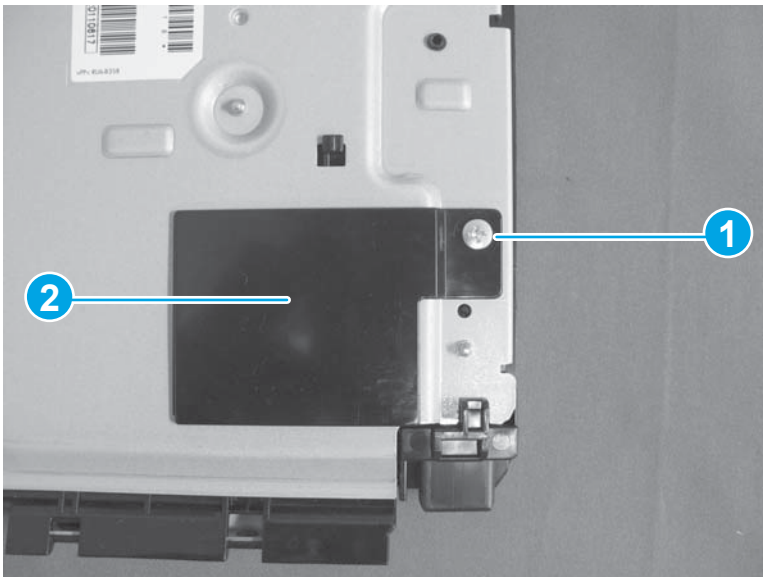
Figure 1-127 Remove the duplexer rear cover



Duplex drive assembly

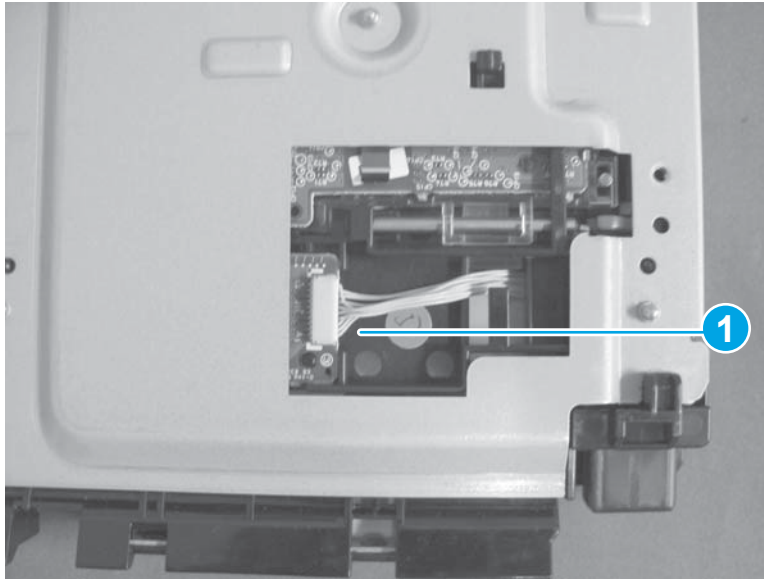
1. Before proceeding, remove the following:
 - Duplexer right cover. See [Duplexer right cover on page 75](#).
 - Duplexer left cover. See [Duplexer left cover on page 74](#).
 - Duplexer top cover. See [Duplexer top cover on page 76](#).
 - Duplexer rear-cover. See [Duplexer rear cover on page 77](#)
2. Remove one screw (callout 1) and the connector cover (callout 2).

Figure 1-128 Remove the duplex drive assembly (1 of 17)



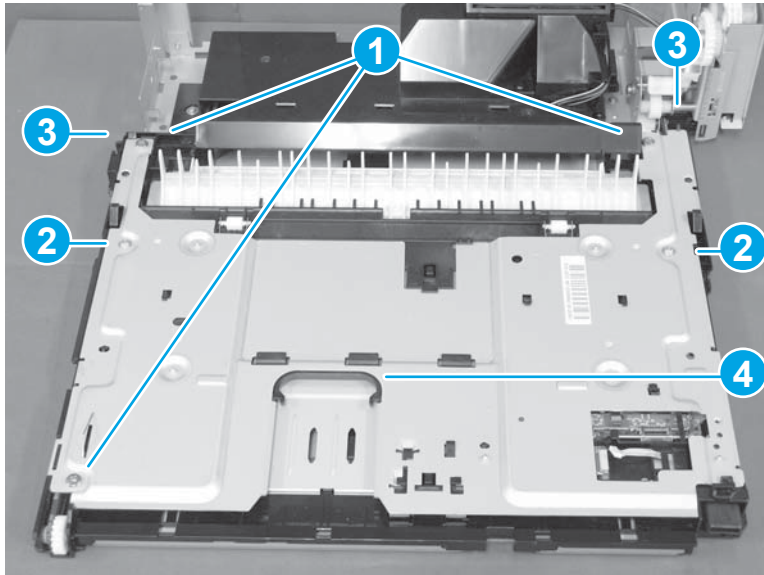
3. Disconnect one connector (callout 1).

Figure 1-129 Remove the duplex drive assembly (2 of 17)



4. Remove three tapping screws (callout 1), two screws (callout 2), release two tabs (callout 3), and then remove the upper guide assembly (callout 4).

Figure 1-130 Remove the duplex drive assembly (3 of 17)



5. Remove the springs on both sides (callout 1) when removing the upper guide assembly.

Figure 1-131 Remove the duplex drive assembly (4 of 17)

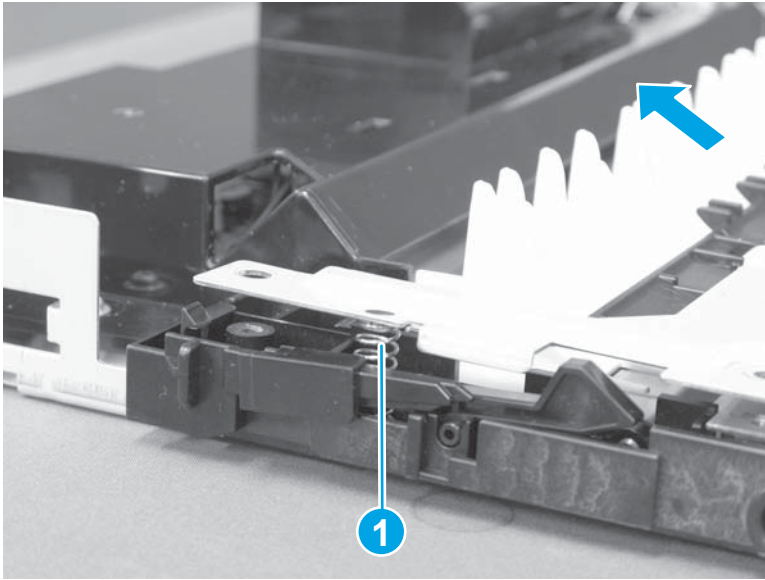
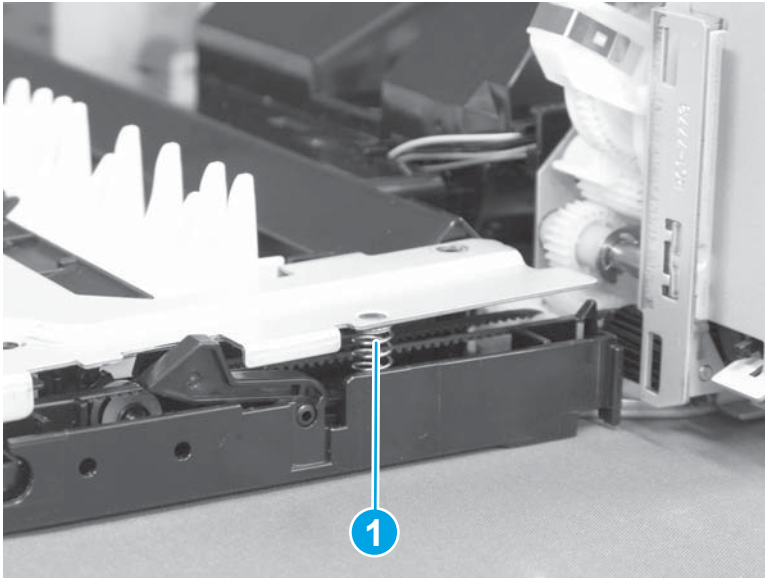
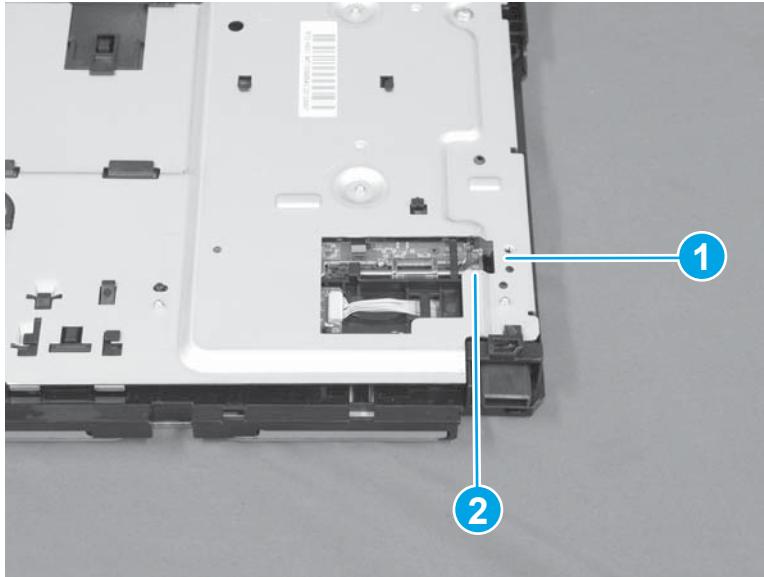


Figure 1-132 Remove the duplex drive assembly (5 of 17)



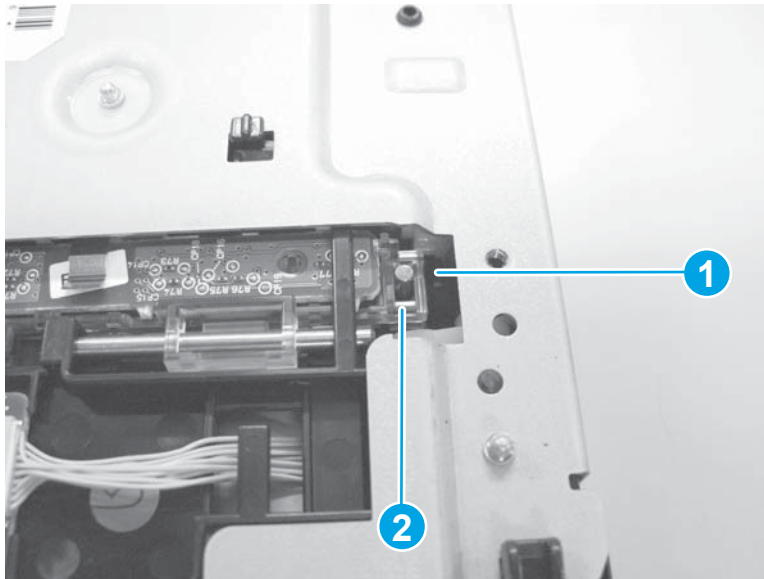
6. Make sure that the shaft (callout 1) of the LED assembly is correctly placed in the hole (callout 2) of the photoreceiver sensor assembly when reassembling the upper guide assembly.

Figure 1-133 Remove the duplex drive assembly (6 of 17)



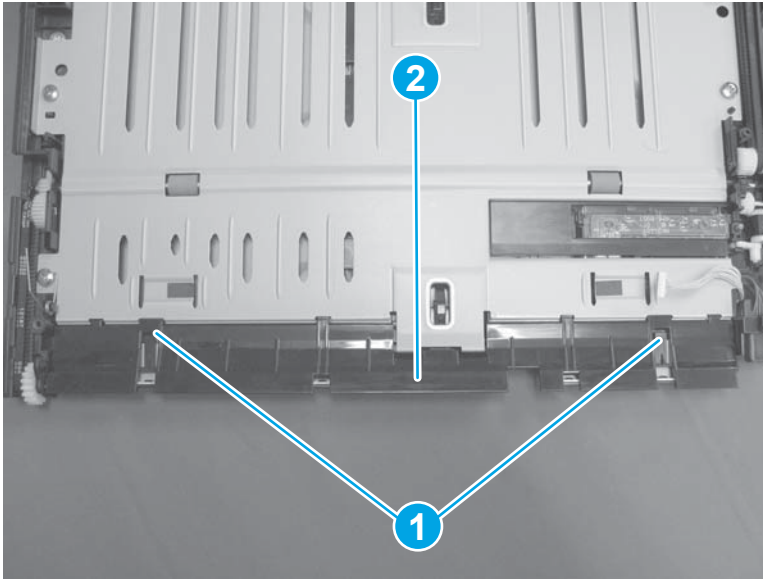
Close-up view of LED shaft assembly.

Figure 1-134 Remove the duplex drive assembly (7 of 17)



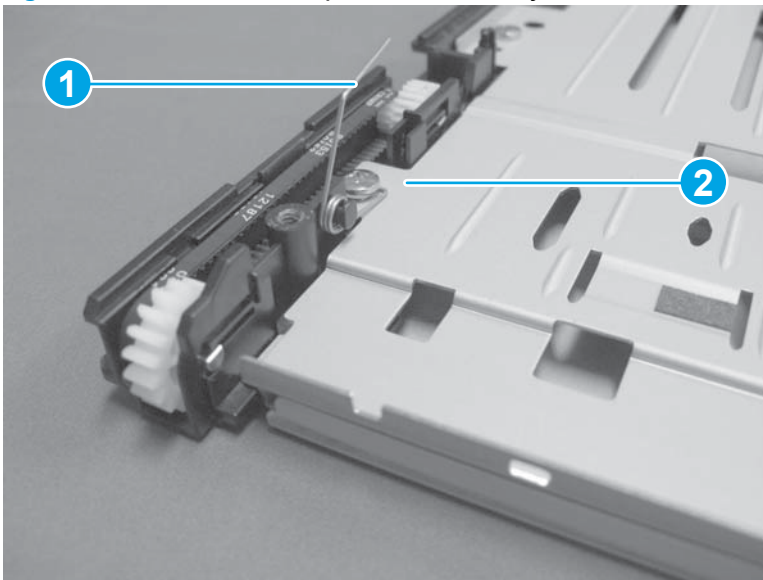
7. Release two tabs (callout 1), and then remove the pickup guide (callout 2).

Figure 1-135 Remove the duplex drive assembly (8 of 17)



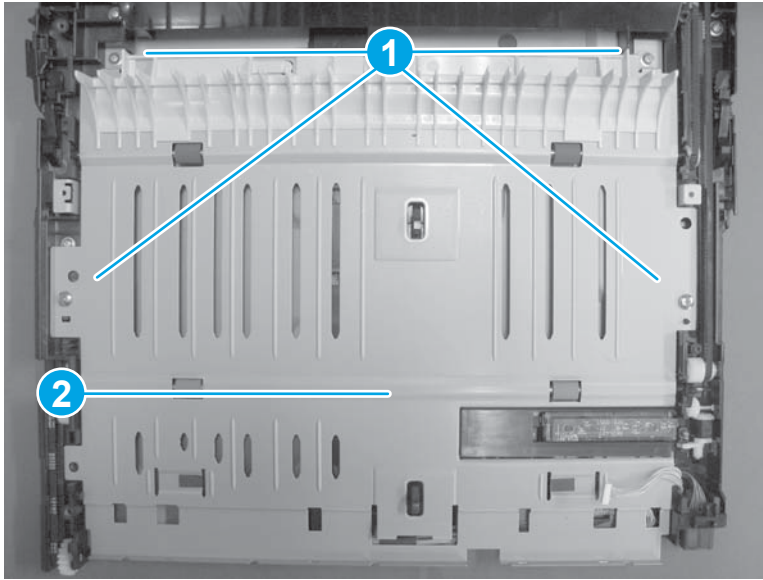
8. Remove one screw (callout 1), and then remove the spring (callout 2).

Figure 1-136 Remove the duplex drive assembly (9 of 17)



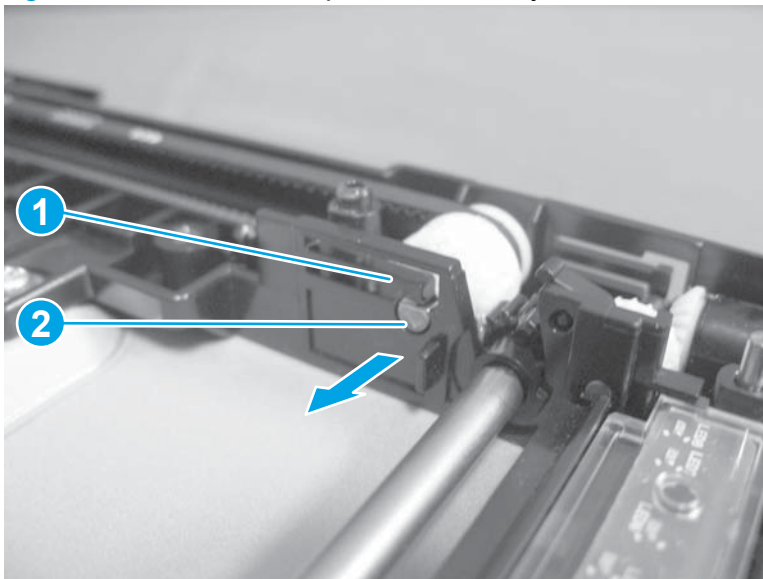
9. Remove four screws (callout 1), and then remove the lower guide (callout 2).

Figure 1-137 Remove the duplex drive assembly (10 of 17)



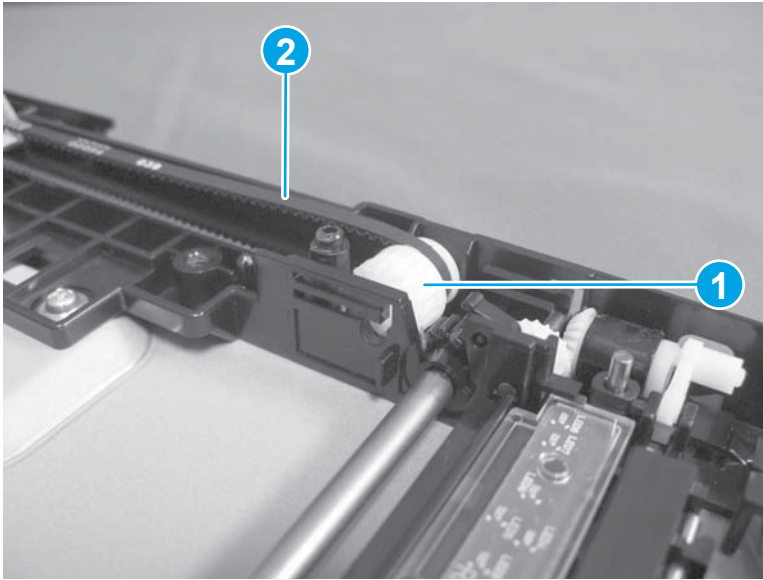
10. Release one tab (callout 1) upward, and then slide the shaft (callout 2) in the direction that the arrow indicates to remove it.

Figure 1-138 Remove the duplex drive assembly (11 of 17)



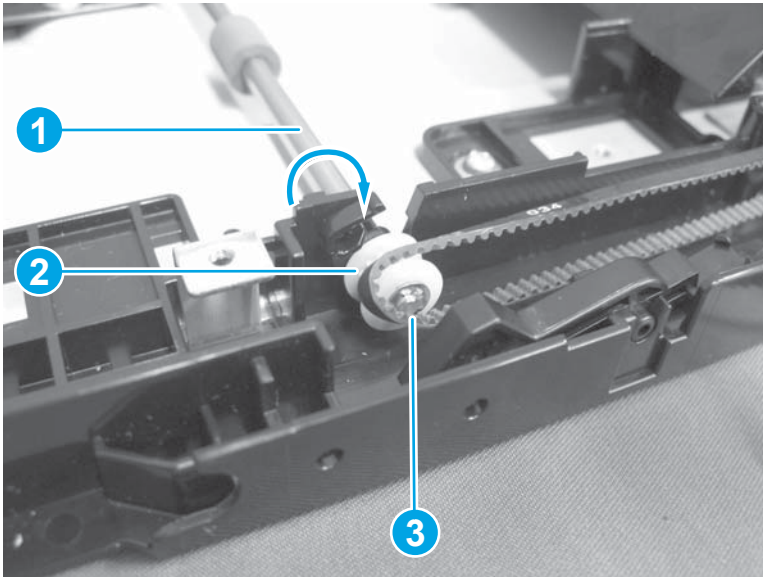
11. Hold up the gear (callout 1), and then loose the belt (callout 2).

Figure 1-139 Remove the duplex drive assembly (12 of 17)



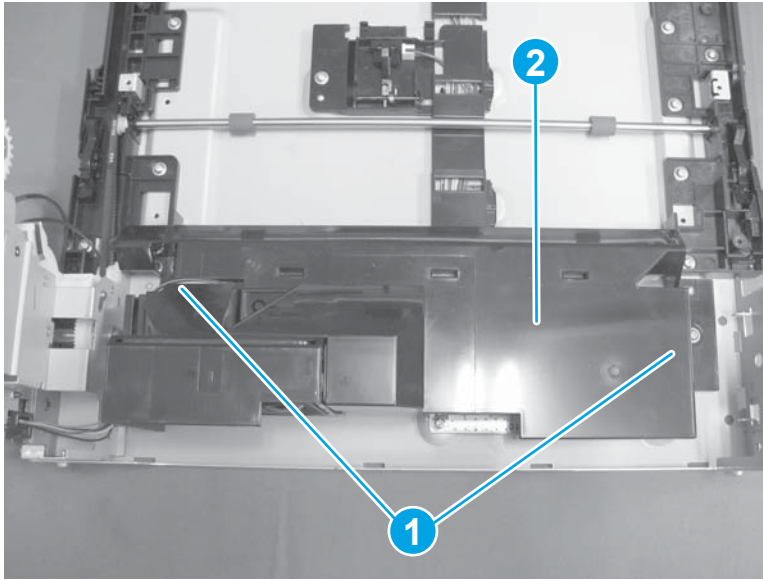
12. Turn the shaft (callout 1) in the direction that the arrow indicates, and then remove the belt (callout 3) from the gear (callout 2).

Figure 1-140 Remove the duplex drive assembly (13 of 17)



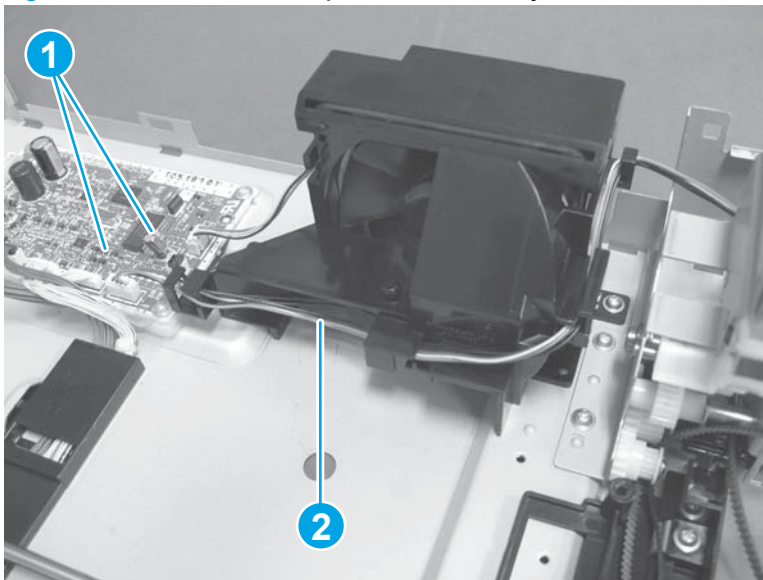
13. Remove two screws (callout 1) and the duct (callout 2).

Figure 1-141 Remove the duplex drive assembly (14 of 17)



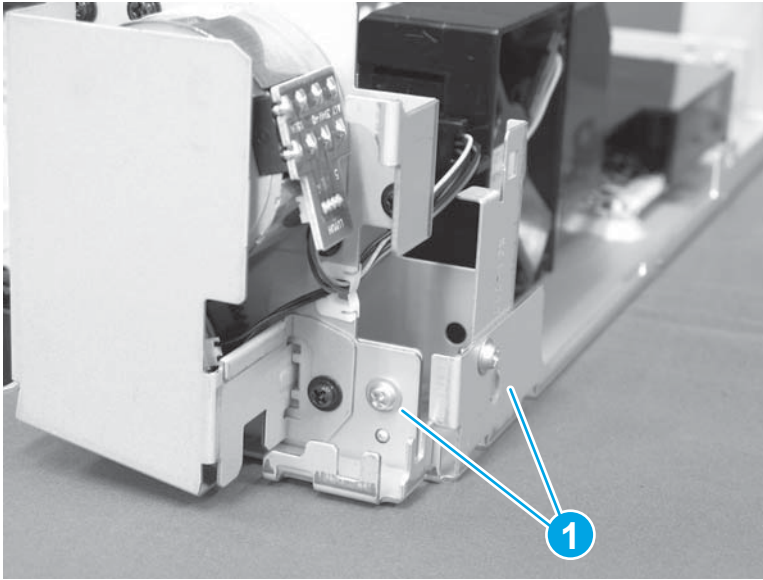
14. Disconnect two connectors (callout 1), and then release the cables (callout 2) from the cable guide.

Figure 1-142 Remove the duplex drive assembly (15 of 17)



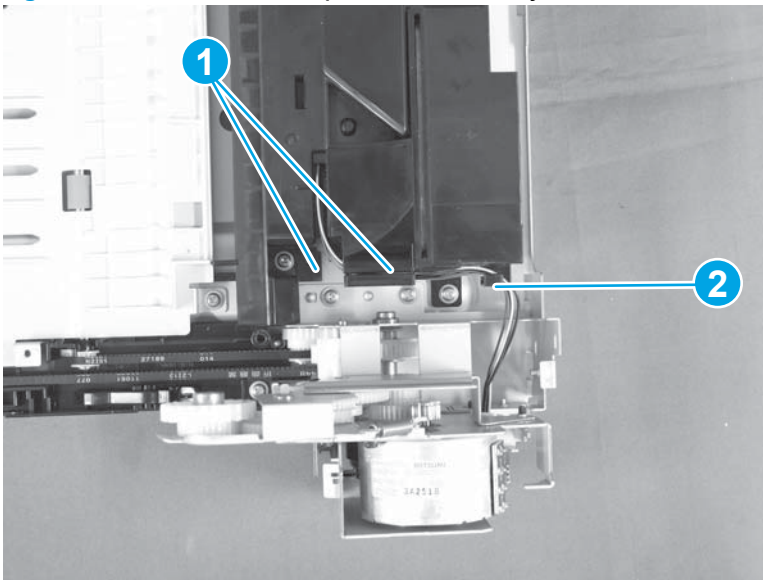
15. Remove two screws (callout 1).

Figure 1-143 Remove the duplex drive assembly (16 of 17)



16. Remove two screws (callout 1), and then remove the duplex drive assembly (callout 2).

Figure 1-144 Remove the duplex drive assembly (17 of 17)

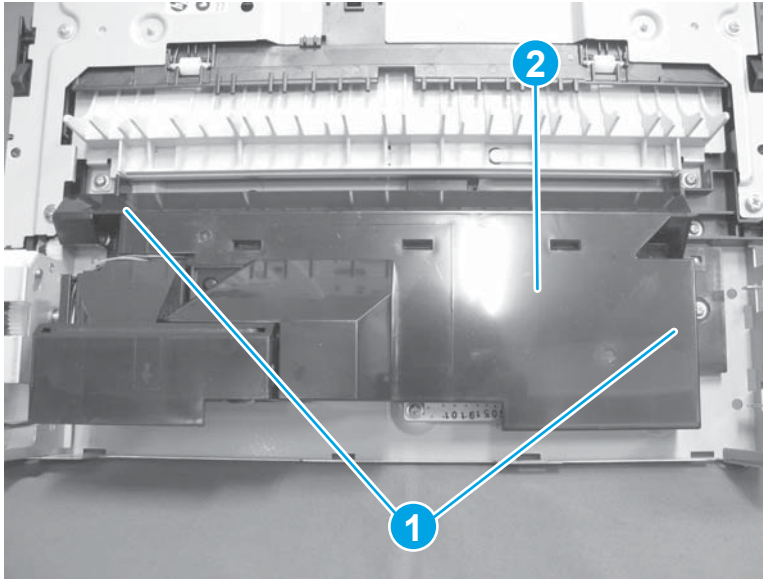


Duplexer driver PCA

1. Before proceeding, remove the following:
 - Duplexer right cover. See [Duplexer right cover on page 75](#).
 - Duplexer left cover. See [Duplexer left cover on page 74](#).
 - Duplexer top cover. See [Duplexer top cover on page 76](#).
 - Duplexer back cover. See [Duplexer rear cover on page 77](#).

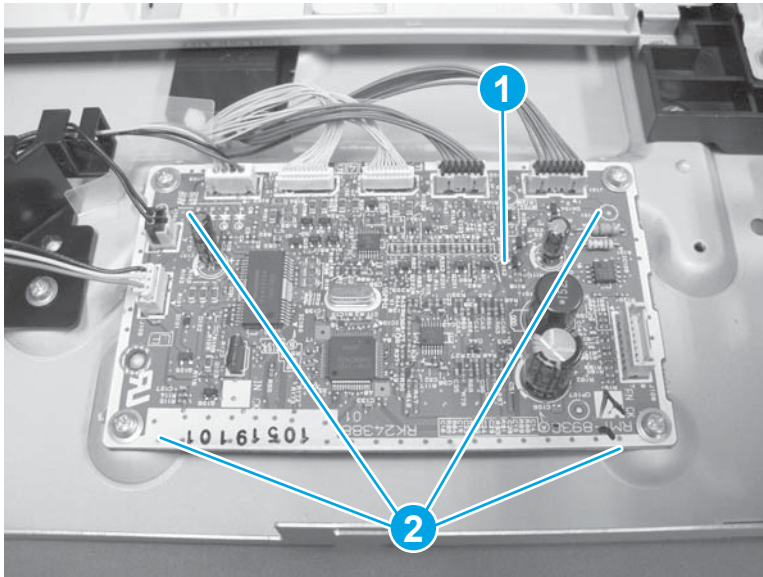
2. Remove two screws (callout 1) and one duct (callout 2).

Figure 1-145 Remove the duplexer feed motor (1 of 5)



3. Disconnect seven connectors on the duplex driver (callout 1), remove four screws (callout 2), and then remove the duplex driver.

Figure 1-146 Remove the duplexer feed motor (2 of 5)

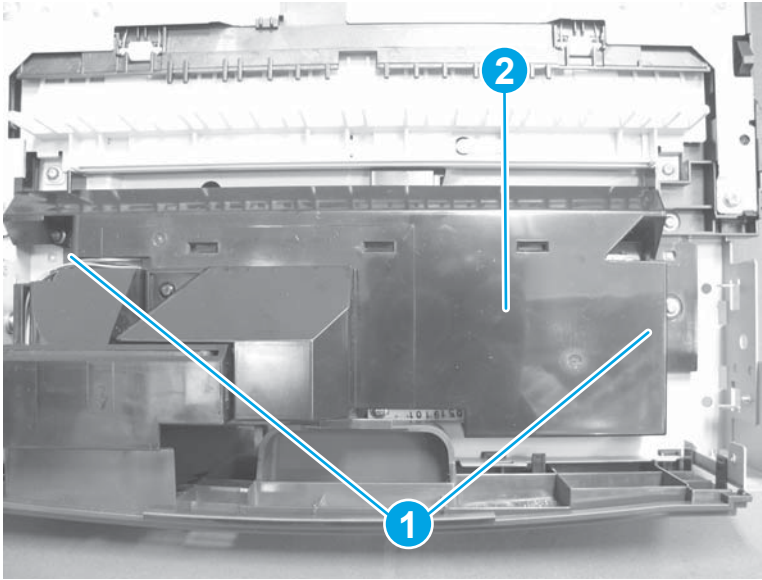


Duplexer fan

1. Before proceeding, remove the following:
 - Duplexer right cover. See [Duplexer right cover on page 75](#).
 - Duplexer left cover. See [Duplexer left cover on page 74](#).
 - Duplexer top cover. See [Duplexer top cover on page 76](#).

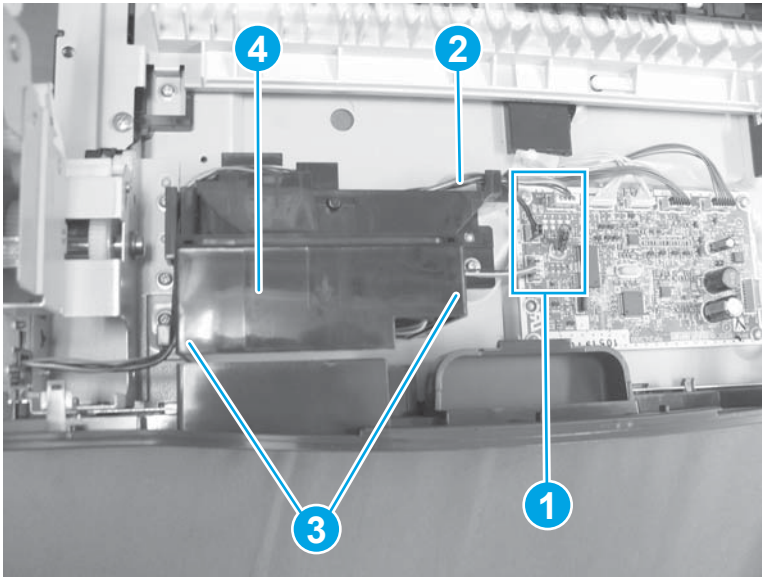
2. Remove two screws (callout 1), and then remove one duct (callout 2).

Figure 1-147 Remove the duplexer fan (1 of 4)



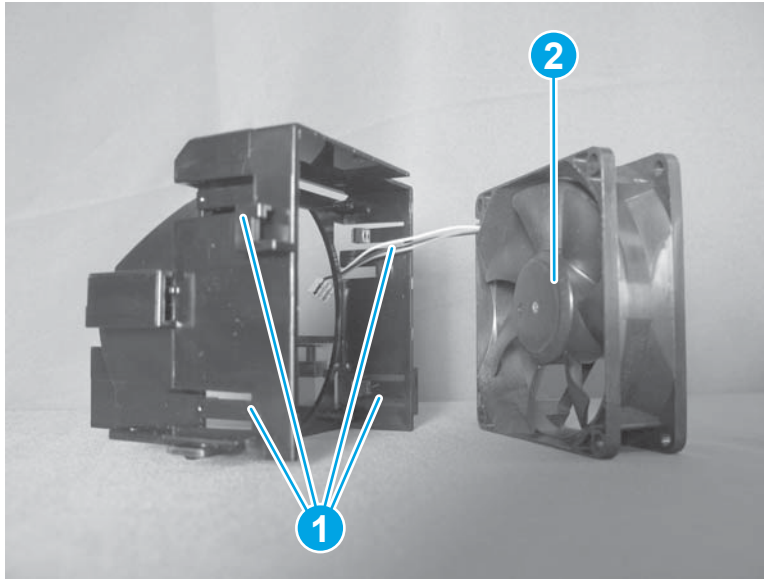
3. Disconnect three connectors (callout 1), release the cables (callout 2) from the cable guide, and then remove two screws (callout 3) and the duplex fan holder (callout 4).

Figure 1-148 Remove the duplexer fan (2 of 4)



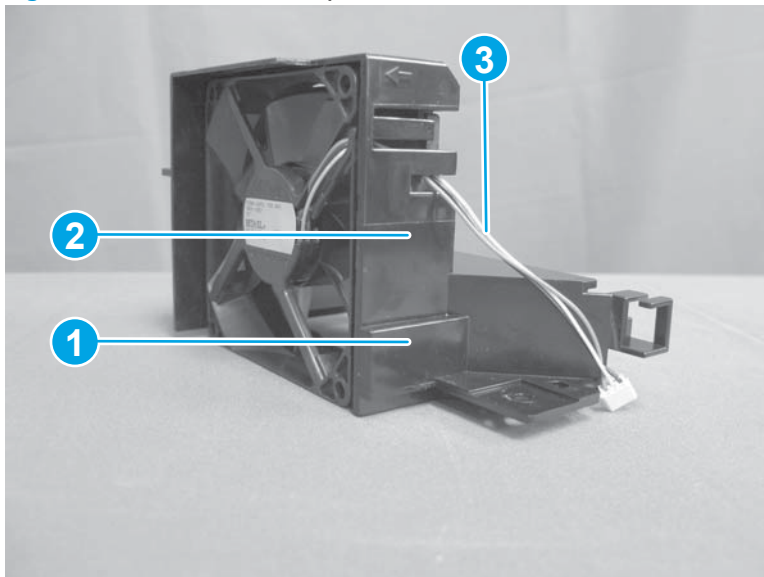
4. Release four tabs (callout 1), and then remove the duplex fan (callout 2).

Figure 1-149 Remove the duplexer fan (3 of 4)



5. Make sure that the fan holder (callout 1), the label on the fan (callout 2) and the cables (callout 3) are correctly installed when reassembling the duplex fan into the duplex fan holder.

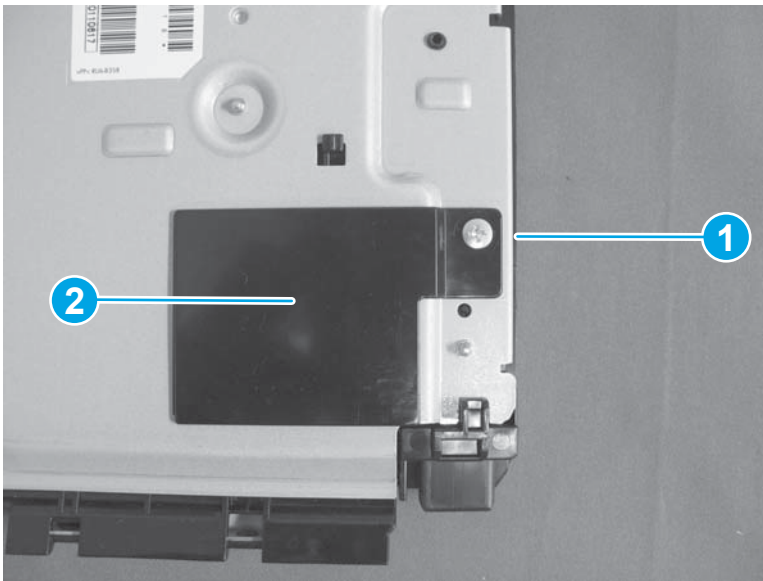
Figure 1-150 Remove the duplexer fan (4 of 4)



Registration sensor photoreceiver assembly

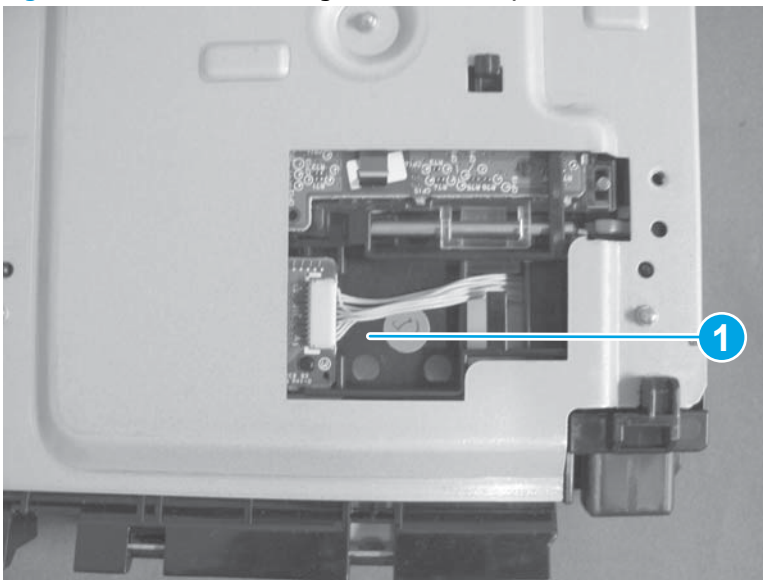
1. Remove one screw (callout 1), and then remove the connector cover (callout 2).

Figure 1-151 Remove the registration sensor photoreceiver assembly (1 of 9)



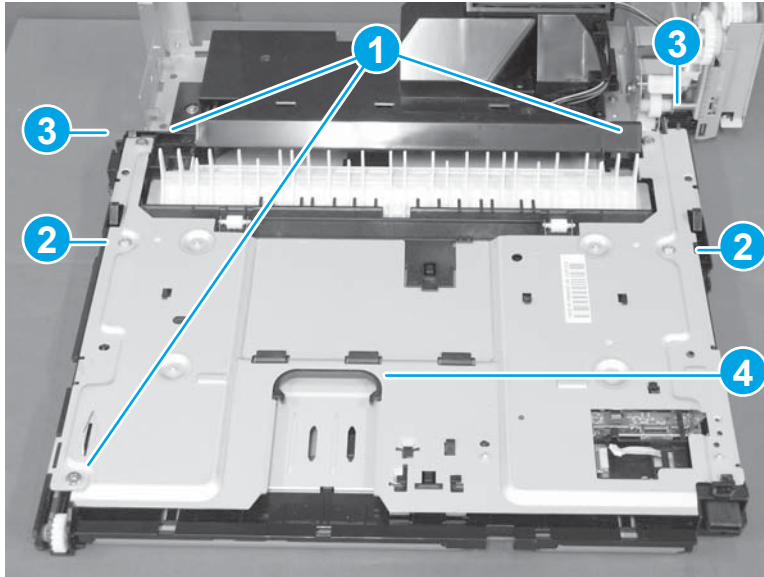
2. Disconnect one connector (callout 1).

Figure 1-152 Remove the registration sensor photoreceiver assembly (2 of 9)



3. Remove three tapping screws (callout 1), two screws (callout 2), release two tabs (callout 3), and then remove the upper guide assembly (callout 4).

Figure 1-153 Remove the registration sensor photoreceiver assembly (3 of 9)



4. Remove the springs on both sides (callout 1) when removing the upper guide assembly.

Figure 1-154 Remove the duplex drive assembly (4 of 9)

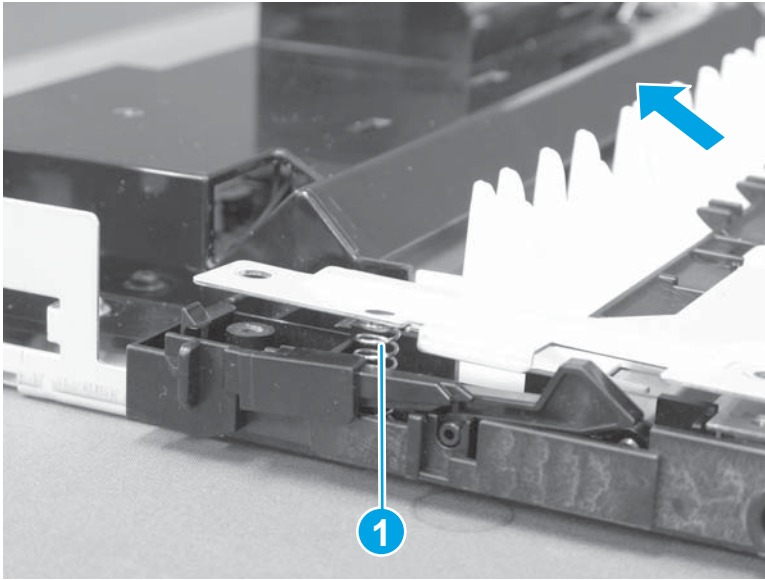
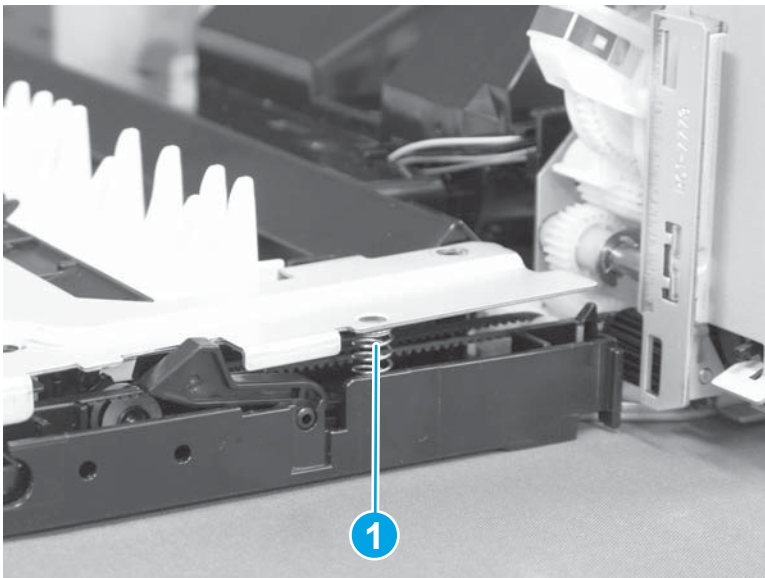
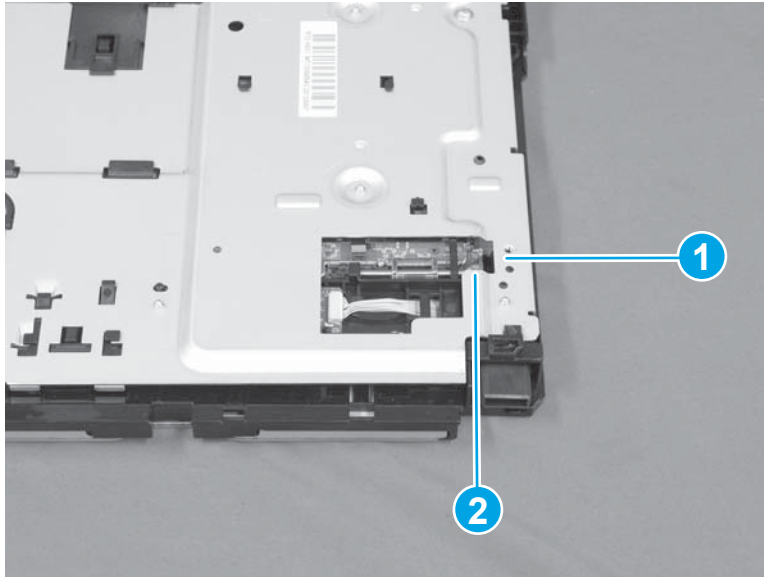


Figure 1-155 Remove the duplex drive assembly (5 of 9)



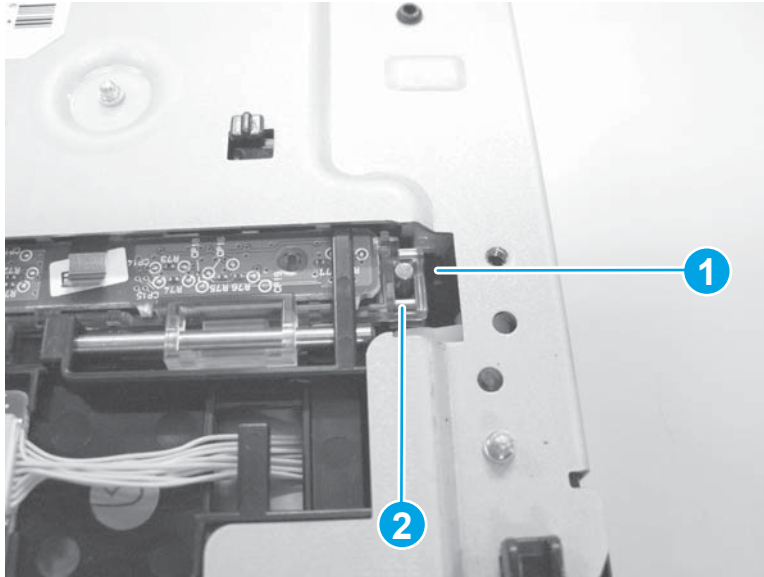
5. Make sure that the shaft (callout 1) of the LED assembly is correctly placed in the hole (callout 2) of the photoreceiver sensor assembly when reassembling the upper guide assembly.

Figure 1-156 Remove the registration sensor photoreceiver assembly (6 of 9)



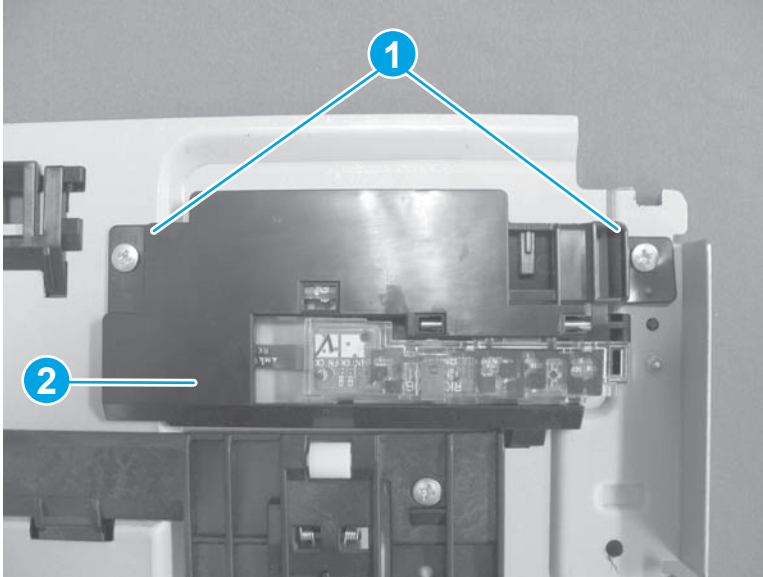
Close-up view of LED shaft assembly.

Figure 1-157 Remove the registration sensor photoreceiver assembly (7 of 9)



6. Remove two screws (callout 1), and then remove the registration sensor photoreceiver assembly (callout 2).

Figure 1-158 Remove the registration sensor photoreceiver assembly (8 of 9)




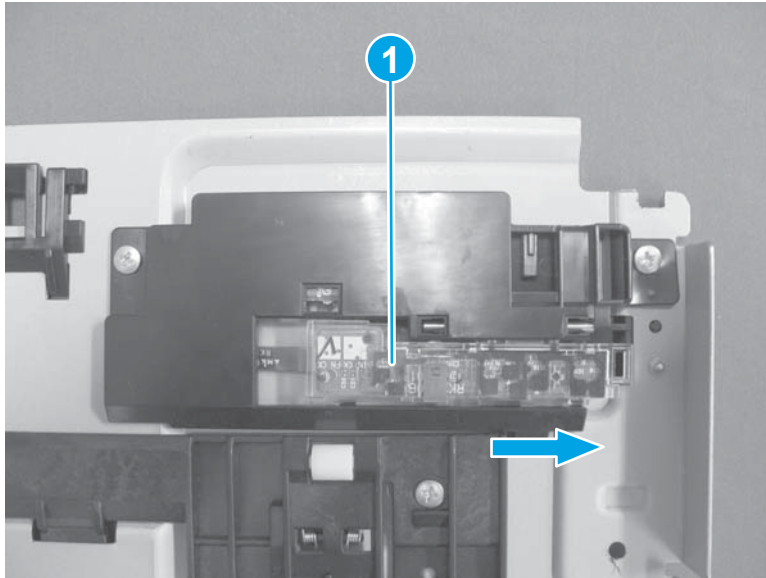
 **TIP:** Replace the LED assembly and the photoreceiver sensor assembly together at the same time.
Install the LED assembly (callout 1) against the arrow direction when reassembling the LED assembly.

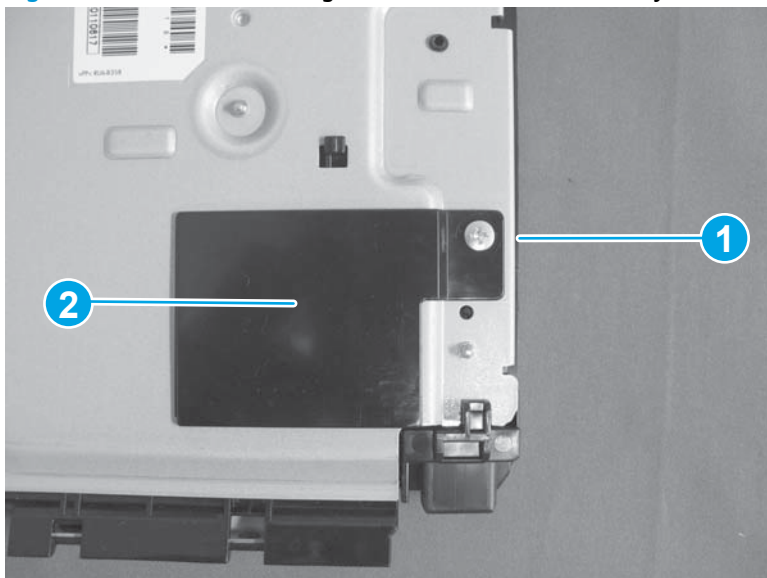
Figure 1-159 Remove the registration sensor photoreceiver assembly (9 of 9)



Registration sensor LED assembly

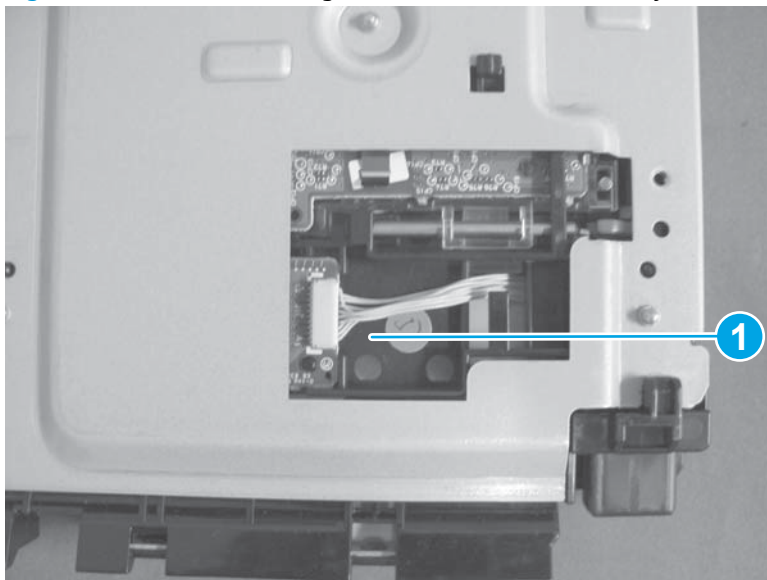
1. Remove one screw (callout 1) and the connector cover (callout 2).

Figure 1-160 Remove the registration sensor LED assembly (1 of 12)



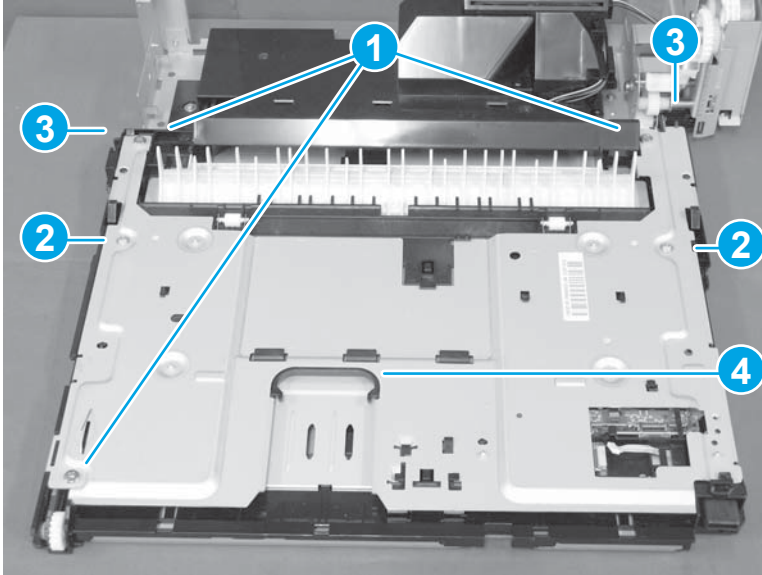
2. Disconnect one connector (callout 1).

Figure 1-161 Remove the registration sensor LED assembly (2 of 12)



3. Remove three tapping screws (callout 1), two screws (callout 2), release two tabs (callout 3), and then remove the upper guide assembly (callout 4).

Figure 1-162 Remove the registration sensor LED assembly (3 of 12)



4. Remove the springs on both sides (callout 1) when removing the upper guide assembly.

Figure 1-163 Remove the duplex drive assembly (4 of 12)

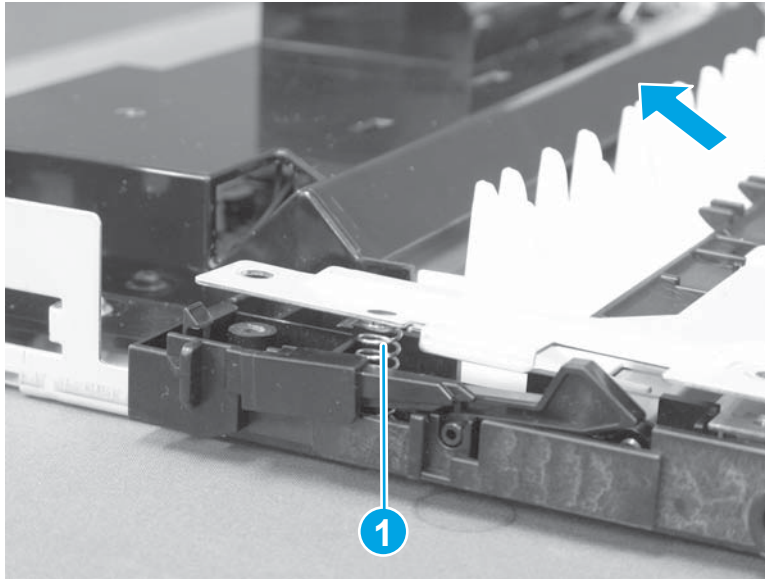
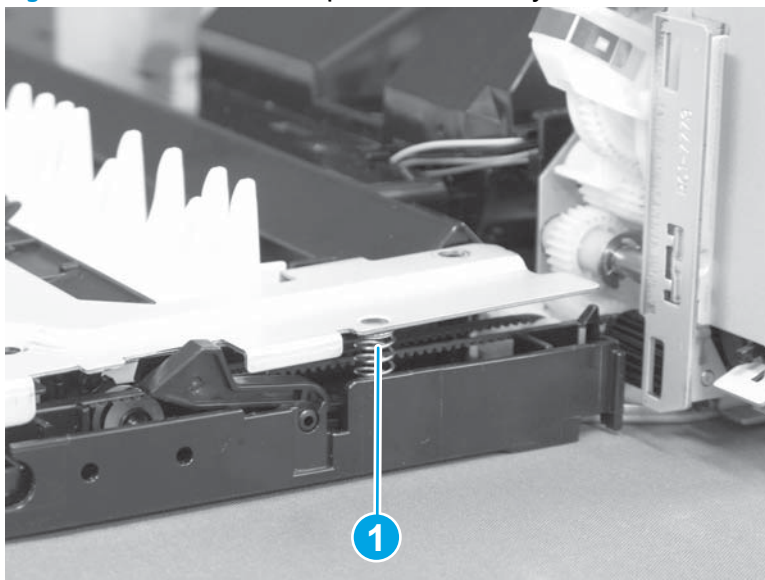
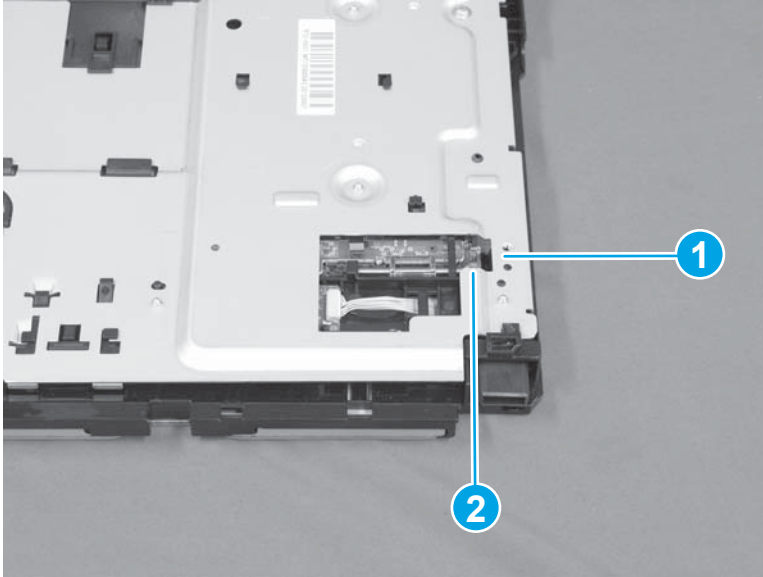


Figure 1-164 Remove the duplex drive assembly (5 of 12)



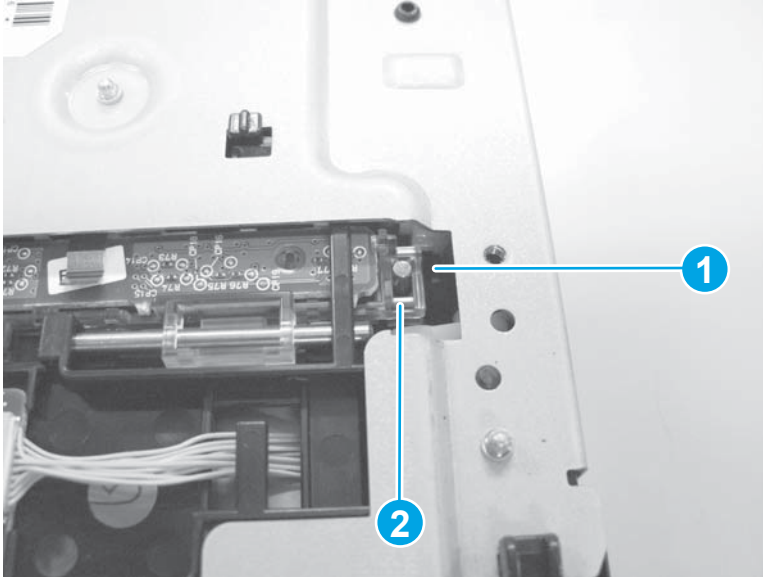
5. Make sure that the shaft (callout 1) of the LED assembly is correctly placed in the hole (callout 2) of the photoreceiver sensor assembly when reassembling the upper guide assembly.

Figure 1-165 Remove the registration sensor LED assembly (6 of 12)



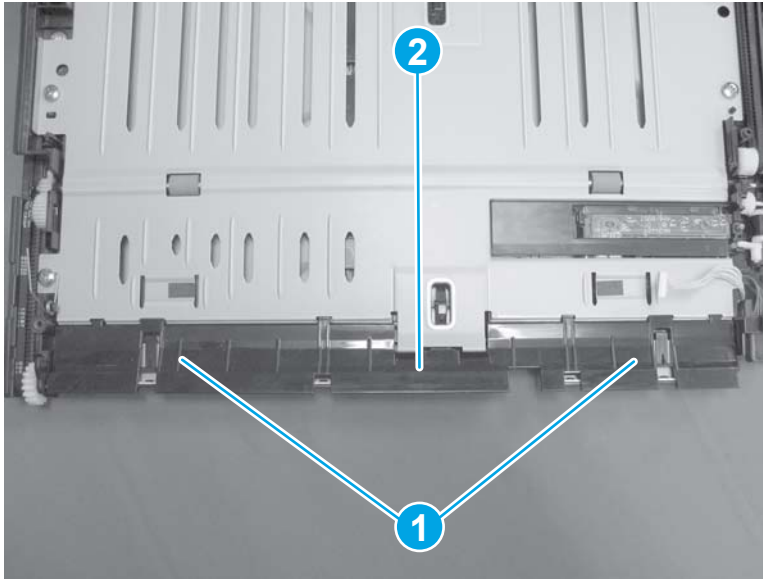
Close-up view of LED shaft assembly.

Figure 1-166 Remove the registration sensor LED assembly (7 of 12)



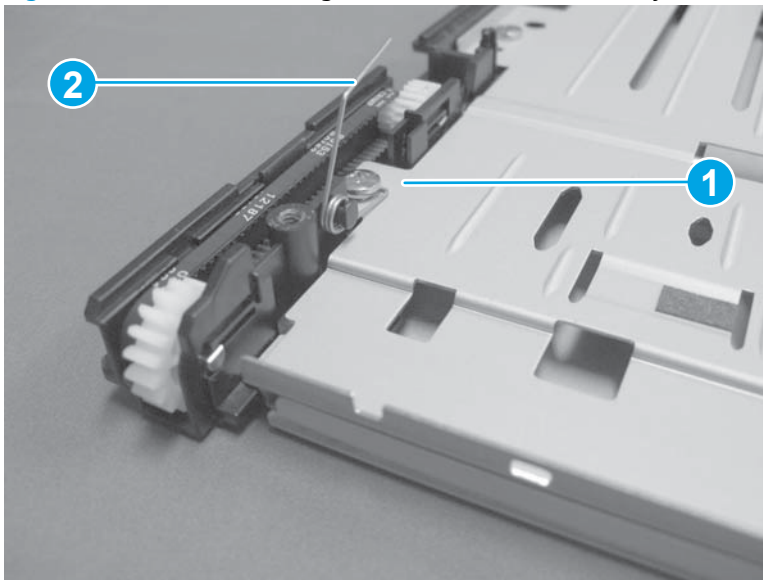
6. Release two tabs (callout 1) and remove the pickup guide (callout 2).

Figure 1-167 Remove the registration sensor LED assembly (8 of 12)



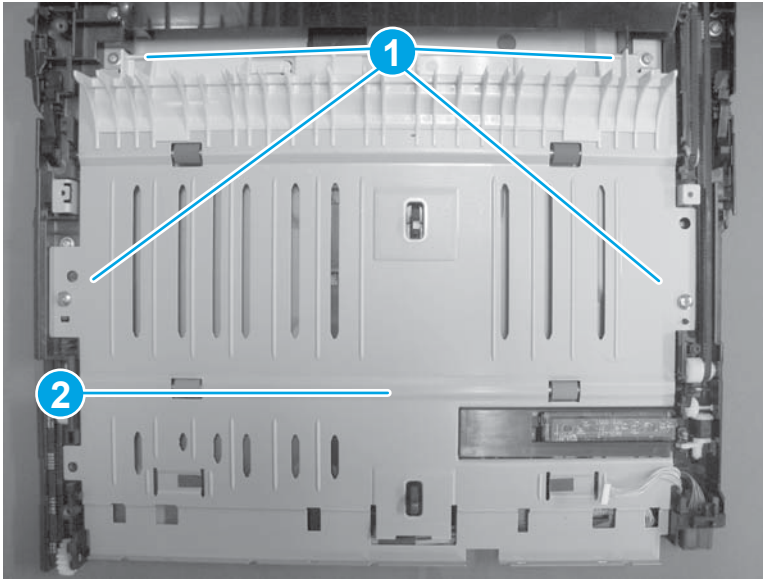
7. Remove one screw (callout 1) and the spring (callout 2).

Figure 1-168 Remove the registration sensor LED assembly (9 of 12)



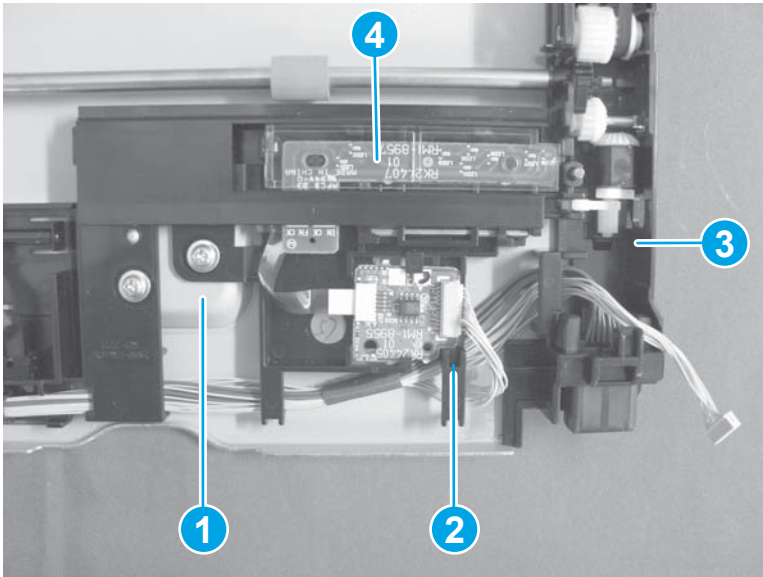
8. Remove four screws (callout 1) and the lower guide (callout 2).

Figure 1-169 Remove the registration sensor LED assembly (10 of 12)



9. Remove one screw (callout 1), disconnect one connector (callout 2), release one tab (callout 3), and then remove the LED assembly (callout 4).

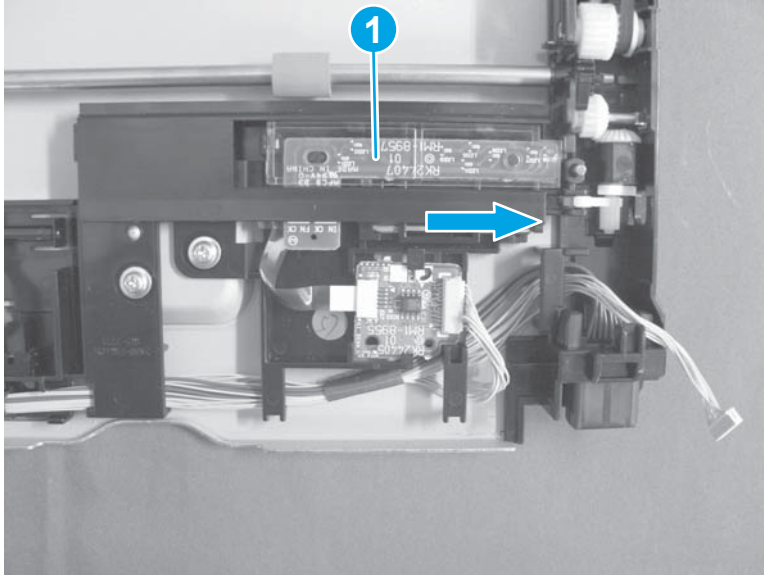
Figure 1-170 Remove the registration sensor LED assembly (11 of 12)



TIP: Replace the LED assembly and the photoreceiver sensor assembly together at the same time.

Install the LED assembly (callout 1) against the arrow direction when reassembling the LED assembly.

Figure 1-171 Remove the registration sensor LED assembly (12 of 12)

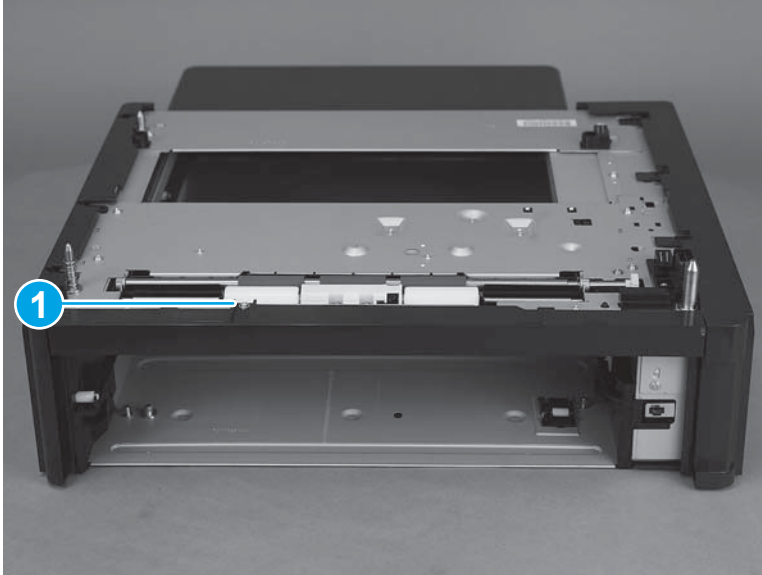


500-sheet feeder

500-sheet feeder front cover

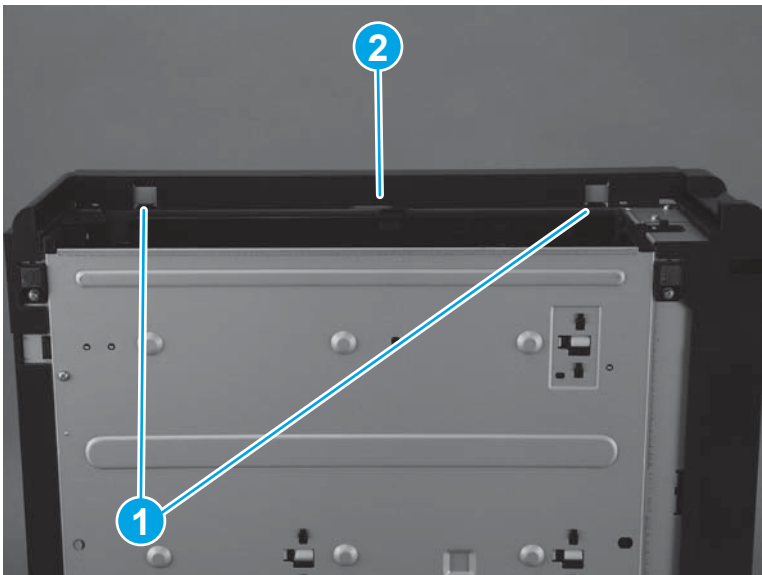
1. Remove the 500-sheet tray.
2. Remove one screw (callout 1).

Figure 1-172 Remove the 500-sheet feeder front cover (1 of 2)



3. Unhook two tabs (callout 2), and then remove the 500-sheet feeder front cover (callout 3).

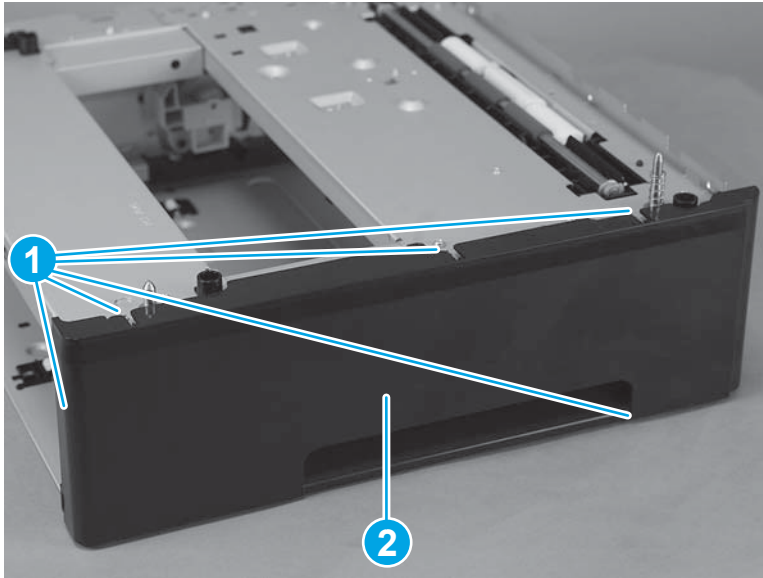
Figure 1-173 Remove the 500-sheet feeder front cover (2 of 2)




500-sheet feeder left cover

1. Remove the 500-sheet tray.
2. Before proceeding, remove the following:
 - 500-sheet feeder front cover. See [500-sheet feeder front cover on page 102](#).
3. Release five tabs (callout 1), and then remove the left cover (callout 2).

Figure 1-174 Remove the 500-sheet feeder left cover



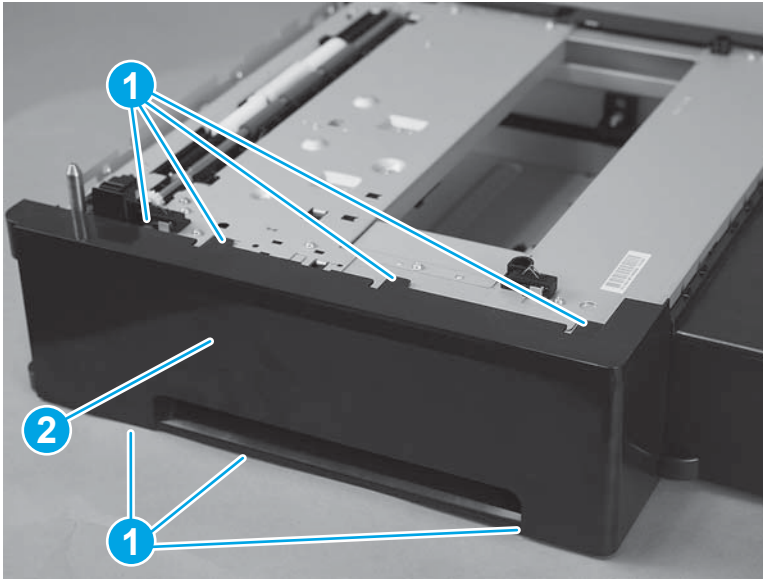
500-sheet feeder right cover

 **NOTE:** The 500-sheet feeder right cover is difficult to remove.

1. Remove the 500-sheet tray.
2. Before proceeding, remove the following:
 - 500-sheet feeder front cover. See [500-sheet feeder front cover on page 102](#).

3. Release seven tabs (callout 1), and then remove the right cover (callout 2).

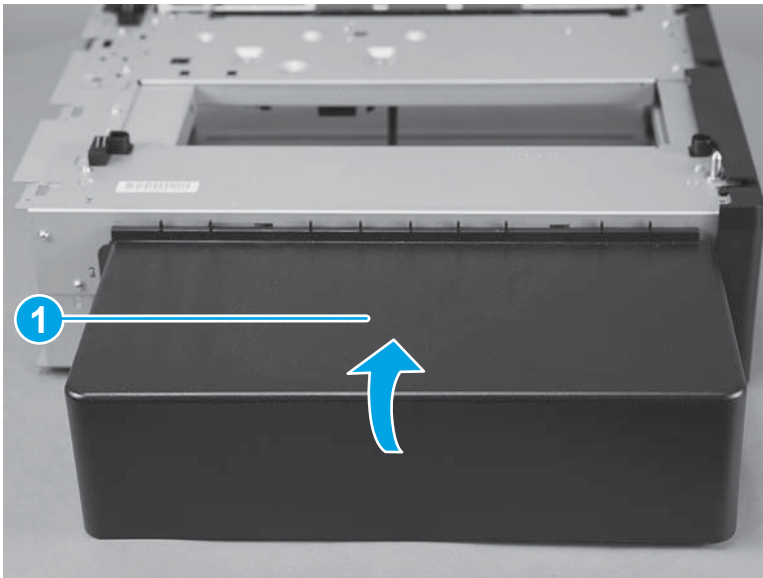
Figure 1-175 Remove the 500-sheet feeder right cover



500-sheet feeder cassette cover

1. Remove the 500-sheet tray.
2. Before proceeding, remove the following:
 - 500-sheet feeder front cover. See [500-sheet feeder front cover on page 102](#).
 - 500-sheet feeder right cover. See [500-sheet feeder right cover on page 103](#).
3. Slide the cassette cover (callout 1) toward the left of the paper feeder.

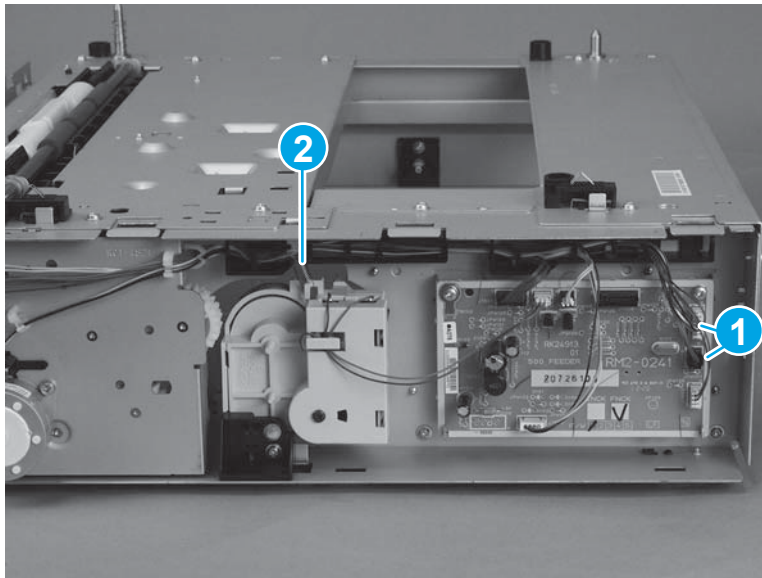
Figure 1-176 Remove the 500-sheet feeder rear dust cover



500-sheet feeder paper-pickup unit

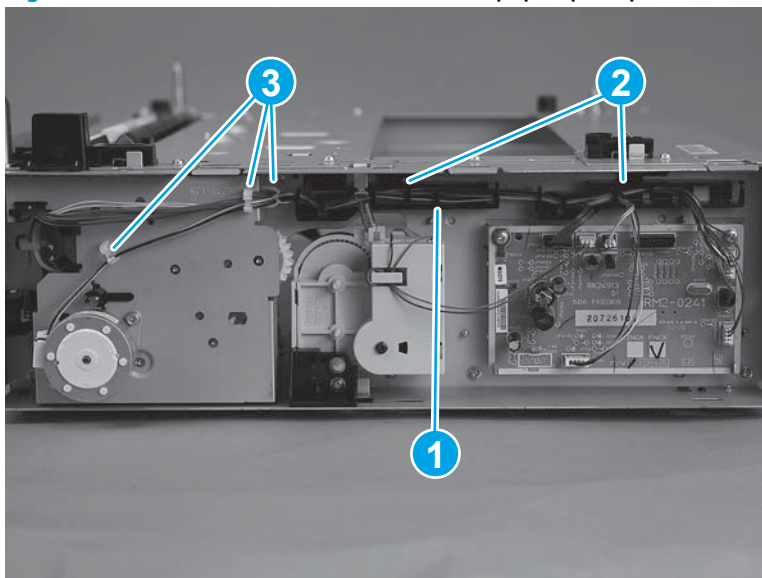
1. Remove the 500-sheet tray.
2. Before proceeding, remove the following:
 - 500-sheet feeder front cover. See [500-sheet feeder front cover on page 102](#).
 - 500-sheet feeder right cover. See [500-sheet feeder right cover on page 103](#).
 - 500-sheet feeder left cover. See [500-sheet feeder left cover on page 103](#).
3. Unhook one spring (callout 2) from the metal hook, and then disconnect two connectors (callout 1).

Figure 1-177 Remove the 500-sheet feeder paper-pickup unit (1 of 4)



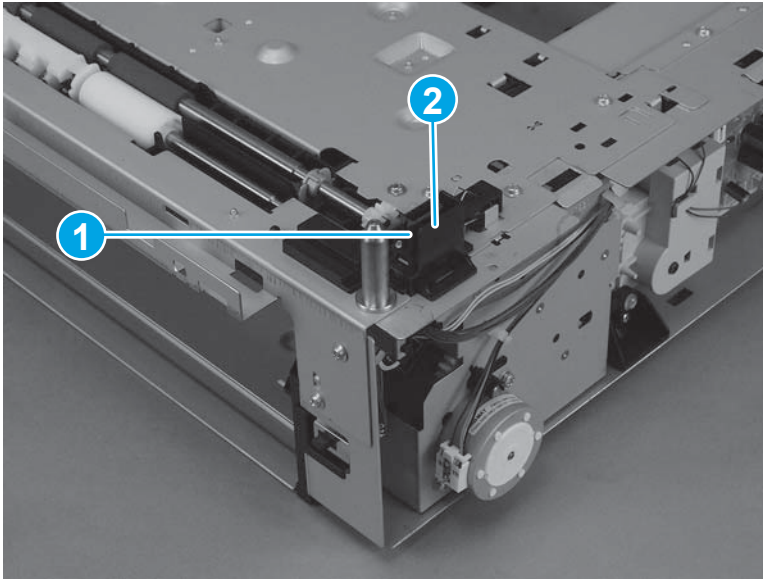
4. Release the cables (callout 1) from the cable guides (callout 2) and the cable clamps (callout 3).

Figure 1-178 Remove the 500-sheet feeder paper-pickup unit (2 of 4)



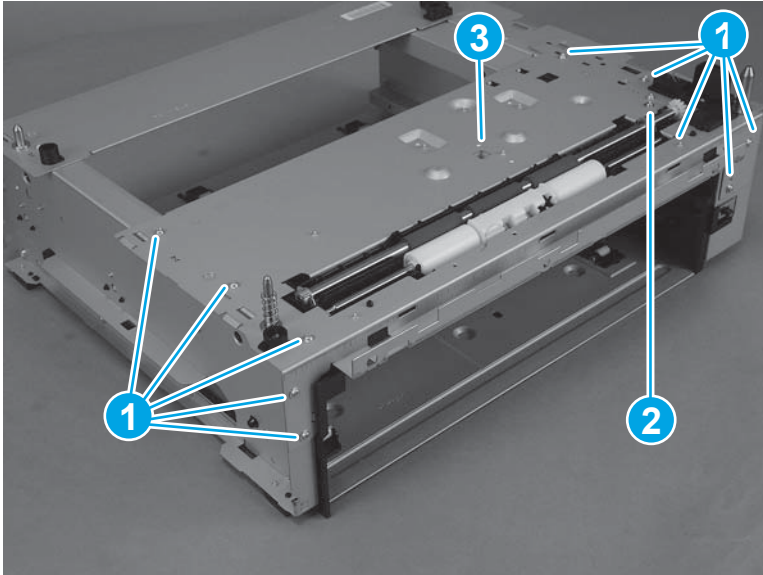
5. Remove one screw (callout 1), and then remove the connector unit (callout 2).

Figure 1-179 Remove the 500-sheet feeder paper-pickup unit (3 of 4)



6. Remove ten screws (callout 1), one blue screw (callout 2), and then remove the paper-feed cassette pickup assembly (callout 3).

Figure 1-180 Remove the 500-sheet feeder paper-pickup unit (4 of 4)

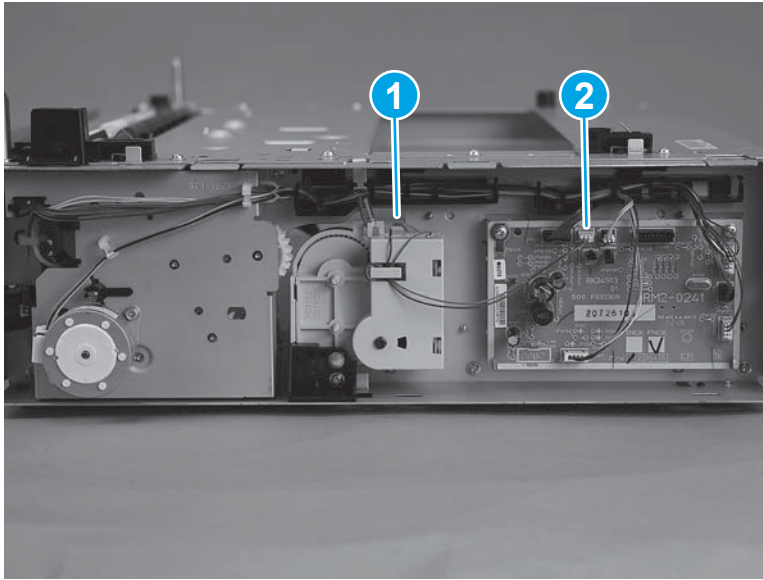


500-sheet feeder lifter drive unit

1. Remove the 500-sheet tray.
2. Before proceeding, remove the following:
 - 500-sheet feeder front cover. See [500-sheet feeder front cover on page 102](#).
 - 500-sheet feeder right cover. See [500-sheet feeder right cover on page 103](#).

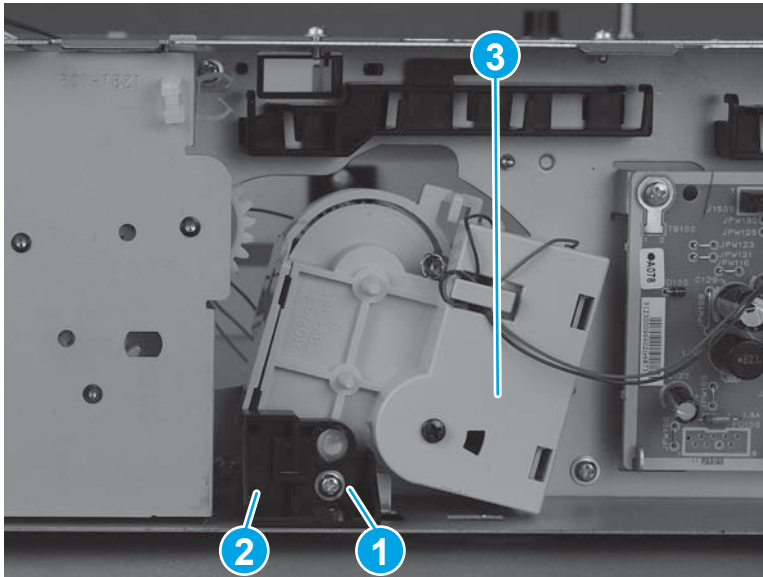
3. Unhook one spring (callout 1), and then disconnect one connector (callout 2).

Figure 1-181 Remove the 500-sheet feeder lifter drive unit (1 of 2)




4. Remove one screw (callout 1), one bushing (callout 2), and then remove the paper-feeder cassette lifter drive assembly (callout 3).

Figure 1-182 Remove the 500-sheet feeder lifter drive unit (2 of 2)



500-sheet feeder drive unit

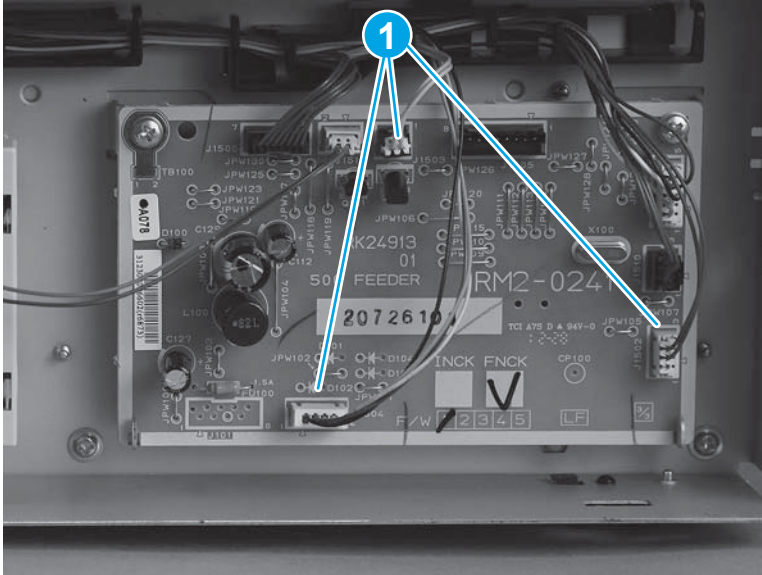
 **NOTE:** Be careful not to lose the solenoid. It is loose.

1. Remove the 500-sheet tray.
2. Before proceeding, remove the following:

- 500-sheet feeder front cover. See [500-sheet feeder front cover on page 102](#).
- 500-sheet feeder right cover. See [500-sheet feeder right cover on page 103](#).
- 500-sheet feeder left cover. See [500-sheet feeder left cover on page 103](#).
- 500-sheet feeder paper pickup unit. See [500-sheet feeder paper-pickup unit on page 105](#).

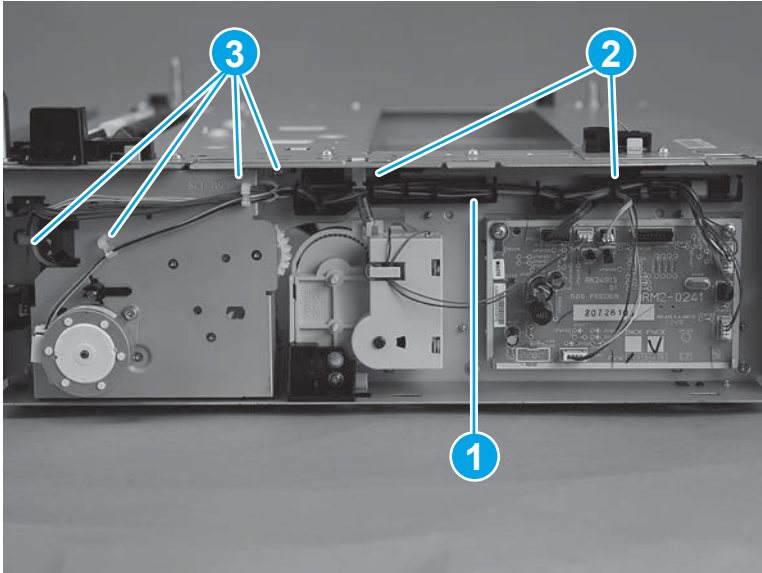
3. Disconnect three connectors (callout 1).

Figure 1-183 Remove the 500-sheet feeder drive unit (1 of 7)



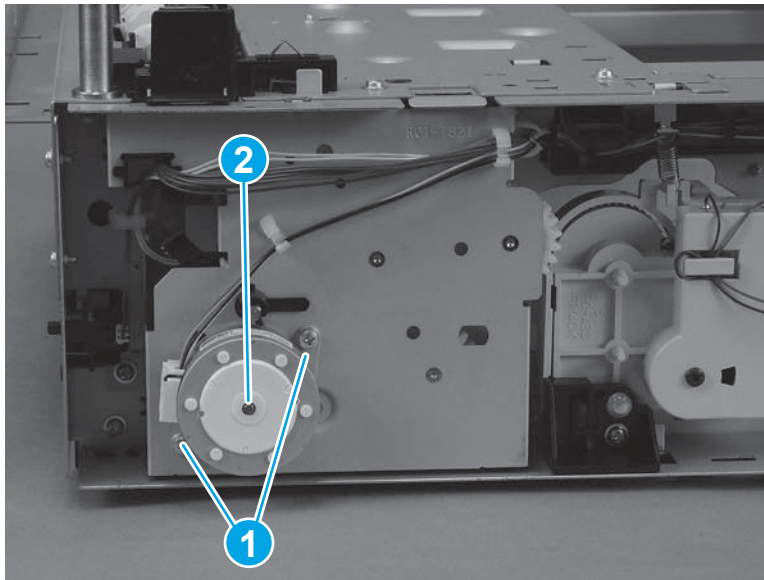
4. Release the cables (callout 1) from the cable guides (callout 2) and the cable clamps (callout 3).

Figure 1-184 Remove the 500-sheet feeder drive unit (2 of 7)



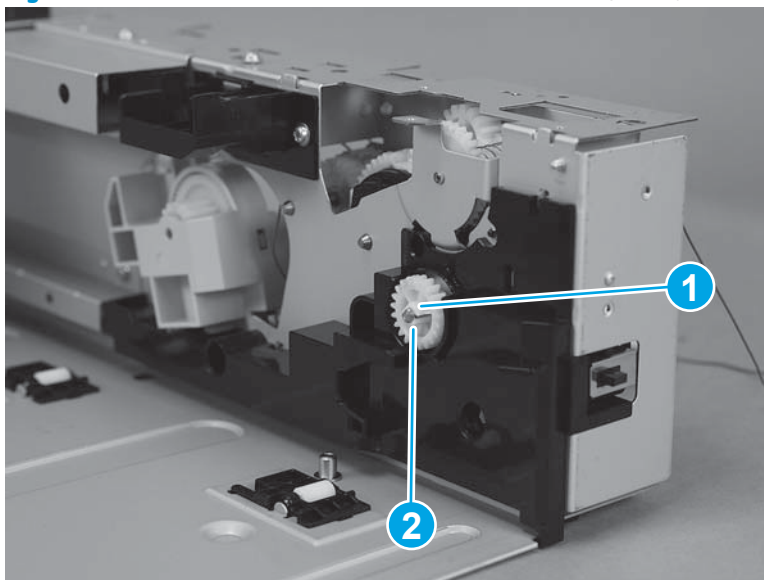
5. Remove two screws (callout 1), and then remove the 500-sheet feeder paper-pickup motor (callout 2).

Figure 1-185 Remove the 500-sheet feeder drive unit (3 of 7)



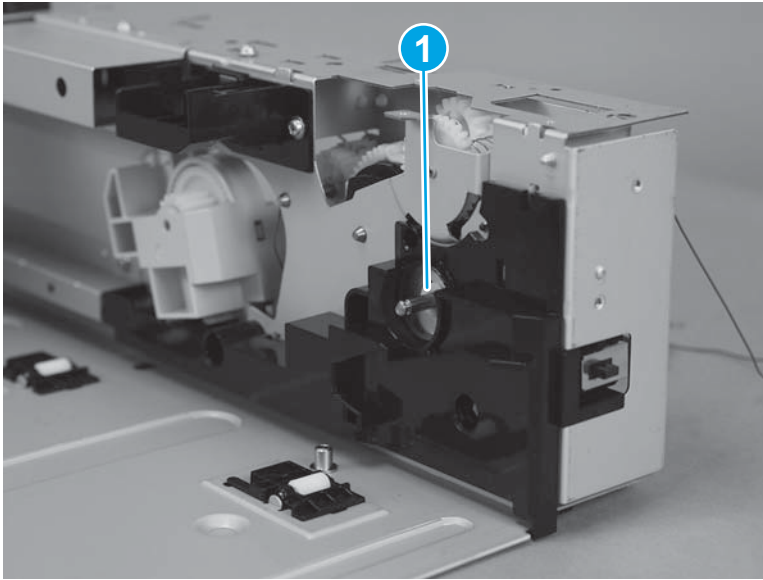
6. Unhook one tab (callout 1), and then remove one gear (callout 2).

Figure 1-186 Remove the 500-sheet feeder drive unit (4 of 7)



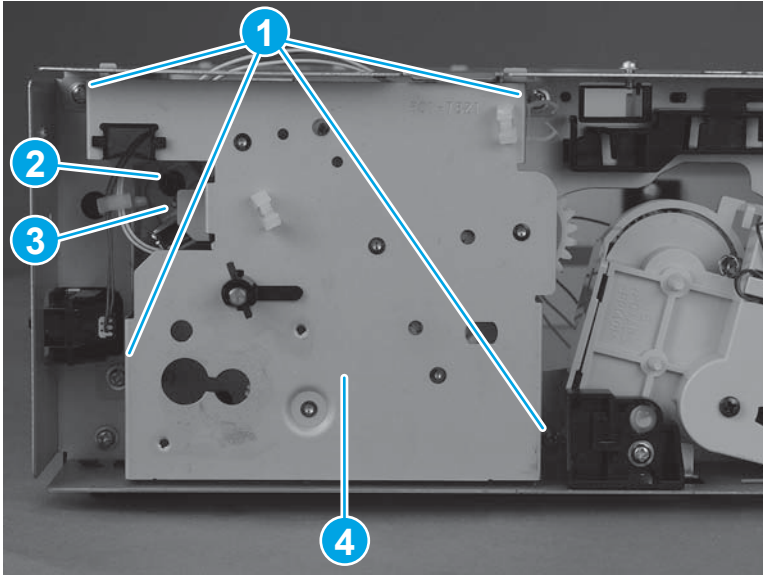
7. Remove one bushing (callout 1).

Figure 1-187 Remove the 500-sheet feeder drive unit (5 of 7)



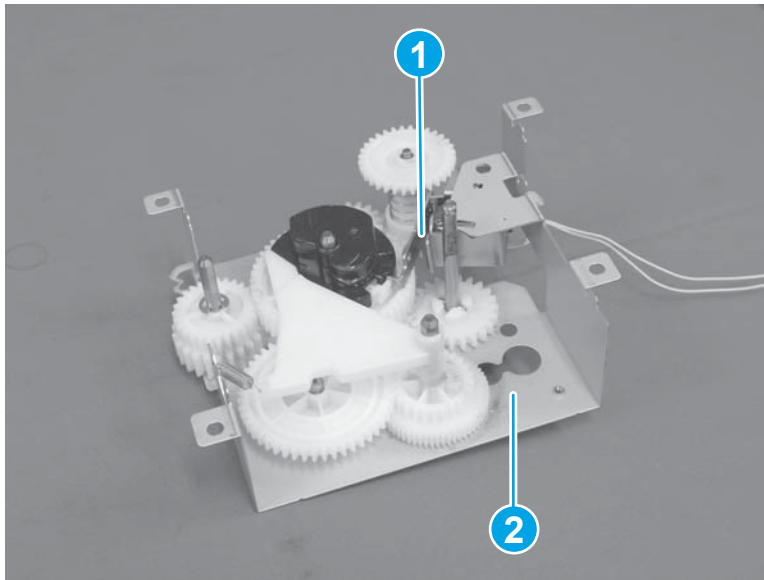
8. Remove four screws (callout 1), one black screw (callout 2) and then remove the paper-feed cassette pickup solenoid (callout 3) and the drive assembly (callout 4) together.

Figure 1-188 Remove the 500-sheet feeder drive unit (6 of 7)



9. Remove the paper-feeder cassette pickup solenoid (callout 2) from the drive assembly (callout 1).

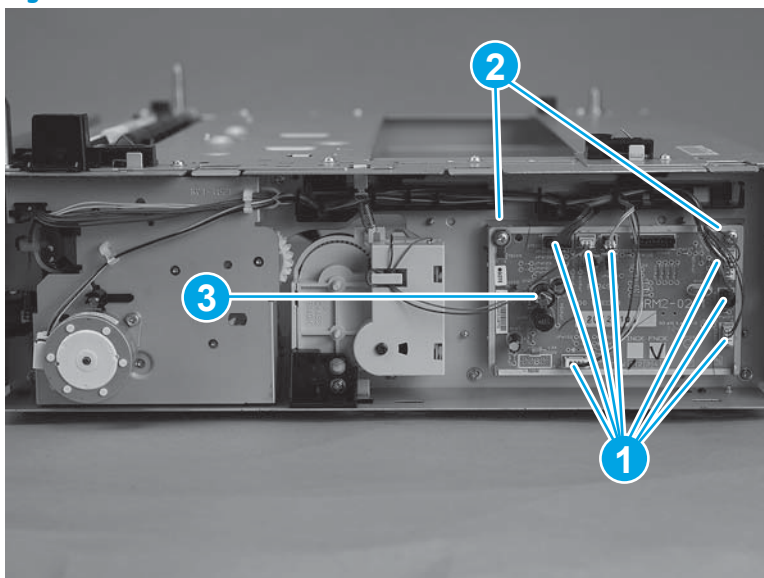
Figure 1-189 Remove the 500-sheet feeder drive unit (7 of 7)



500-sheet feeder drive PCA

1. Remove the 500-sheet tray.
2. Before proceeding, remove the following:
 - 500-sheet feeder front cover. See [500-sheet feeder front cover on page 102](#).
 - 500-sheet feeder right cover. See [500-sheet feeder right cover on page 103](#).
3. Disconnect seven connectors (callout 1), remove two screws (callout 2), and then remove the paper-feed driver PCA.
4. Remove the 500-sheet feeder drive PCA (callout 3).

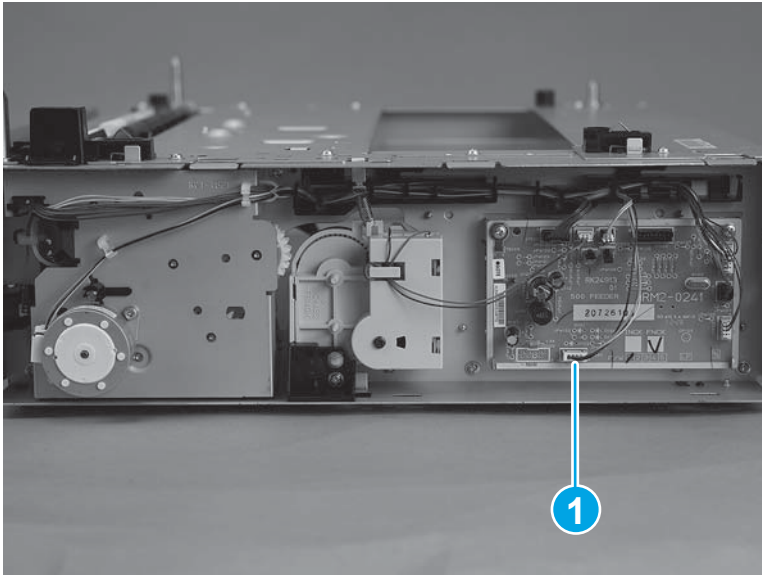
Figure 1-190 Remove the 500-sheet feeder drive PCA



500-sheet feeder pickup motor

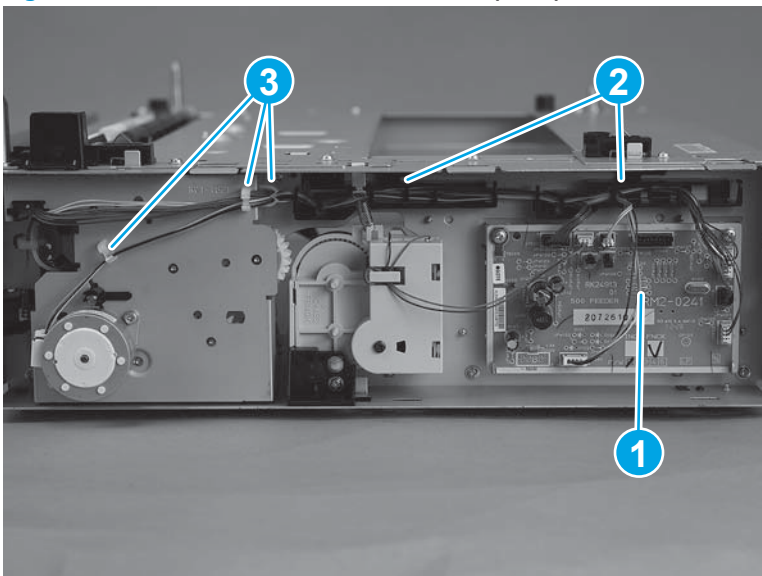
1. Remove the 500-sheet tray.
2. Before proceeding, remove the following:
 - 500-sheet feeder front cover. See [500-sheet feeder front cover on page 102](#).
 - 500-sheet feeder right cover. See [500-sheet feeder right cover on page 103](#).
3. Disconnect one connector (callout 1).

Figure 1-191 Remove the 500-sheet feeder pickup motor (1 of 3)



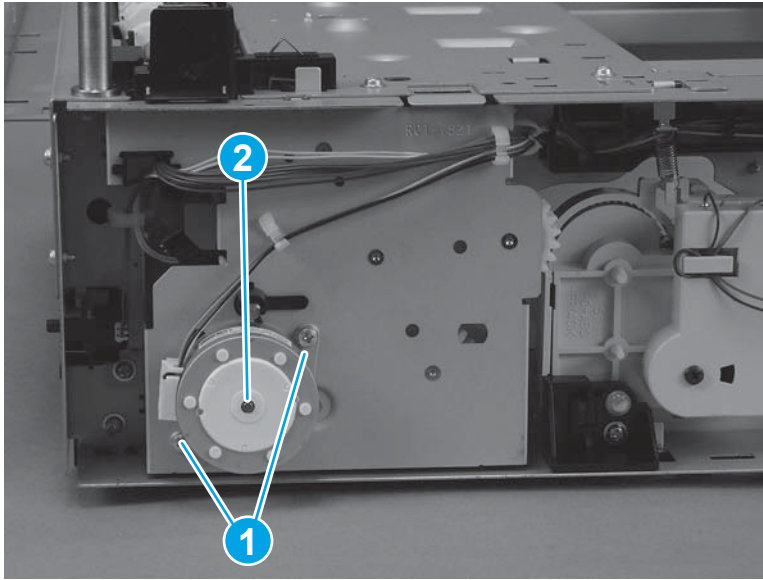
4. Release the cables (callout 1) from the cable guides (callout 2) and the cable clamps (callout 3).

Figure 1-192 Remove the 500-sheet feeder pickup motor (2 of 3)



5. Remove two screws (callout 1), and then remove the paper-feeder cassette pickup motor (callout 2).

Figure 1-193 Remove the 500-sheet feeder pickup motor (3 of 3)



2 Parts and diagrams

This section describes resources for ordering parts, and for technical support and resources for ordering related documentation and software.

Order parts by authorized service providers

Table 2-1 Order parts, accessories, and supplies

Order supplies and paper	www.hp.com/go/suresupply
Order genuine HP parts or accessories	www.hp.com/buy/parts
Order through service or support providers	Contact an HP-authorized service or support provider.
Order using HP software	For information about using the HP software to order parts, accessories, and supplies, see the product user guide.

Service kit parts

Table 2-2 Repair kits

Kit part number	Description	Part number	Customer replaceable?	Self-replace option
A3E42-65017	Tray 1 Cover Kit (includes name plate & HP logo)		N	
	Multi-purpose cover assembly	RM2-0625-000		
	Name plate: LaserJet Pro MFP M435nw	A3E42-40010		
	Low profile round logo, size 35	7121-8541		
	Multi-Purpose Tray (Tray1) install guide	A3E42-90982		
A3E42-65018	Tray 1 Roller Kit		Y	Optional
	Roller, multi-purpose paper pick-up	RL2-0544-000		
	Multi-purpose pad assembly	RM1-2462-000		
	Tray 1 Roller Kit install guide	A3E42-90983		
	Tray 2 Roller Kit	A3E42-65019	Y	Optional
	Cassette pick-up roller assembly	RL1-4049-000		
	Tray 2 separation pad	RM1-2546-000		
	Tray 2 Roller Kit Install Guide	A3E42-90984		

Table 2-2 Repair kits (continued)

Kit part number	Description	Part number	Customer replaceable?	Self-replace option
A3E42-65010	Tray 2 Cassette Assembly Kit		Y	Optional
	Cassette assembly	RM2-0629-000		
A3E42-65011	Tray 3 Roller Kit		Y	Mandatory
	Paper pick-up roller assembly	RM1-0036-020		
	Paper feed roller assembly	RM1-0037-020		
	Tray 3 retard roller	RM1-0037-020		
	Tray 3 Roller Kit install guide	A3E42-90985		
A3E42-65012	Laser Scanner Kit		N	
	Laser Scanner assembly	RM2-0648-000		
	Laser Scanner Install guide	A3E42-90986		
A3E42-65013	220V Fuser Kit		N	
	Fuser assembly (220V)	RM2-0639-000		
	Recycle Guide	5851-3945		
	Fuser Install Guide	A3E42-90987		
A3E42-65014	Transfer Roller Kit		N	
	Transfer Roller assembly	RM2-5841-000		
	Transfer Roller Kit Install Guide	A3E42-90988		
A3E42-65015	Scanner Flatbed Whole Unit Kit		N	
	Whole unit scanner assembly with control panel	A3E42-60101		
	Scanner Flatbed Whole Unit install guide	A3E42-90989		
A3E46-67901	Optional accessory duplex unit			
	Optional Duplexer Unit	A3E46A		
	Duplexer Installation Guide	A3E46-90901		
A3E47-67901	Optional accessory 500 Sheet Feeder Tray 3		Y	Mandatory
	Optional accessory 500 Sheet Feeder Tray 3 Product	A3E47A		
	Optional tray Installation Guide	A3E47-90901		
A3E42-65016	Service Maintenance Kit		N	
	Fusing assembly (220V)	RM2-0639-000		
	Transfer roller assembly	RM2-5841-000		
	Roller, multi-purpose paper pick-up	RL2-0544-000		
	Multi-purpose pad assembly	RM1-2462-000		
	Cassette pick-up roller assembly	RL1-4049-000		
	Tray 2 Separation Pad	RM1-2546-000		

Table 2-2 Repair kits (continued)

Kit part number	Description	Part number	Customer replaceable?	Self-replace option
	Recycle Guide	5851-3945		
	Service Maintenance install guide	NA		

Whole-unit replacement part numbers

Table 2-3 Whole-unit replacement part numbers

Item	Description	Part number
HP LaserJet Pro MFP M435nw Printer	220V CN #AB2	A3E42-67901 (replacement)
HP LaserJet Pro MFP M435nw Printer	220V IN #ACJ	A3E42-67905 (replacement)
HP LaserJet Pro MFP M435nw Printer	220V EMEA #B19	A3E42-69002 (exchange)

Supplies and accessories part numbers

Item	Description	Part number
HP CZ192A Black Laser Cartridge	Replacement toner cartridge	CZ192-67901
Optional accessory Duplex unit		A3E46-67901
Optional accessory 500-Sheet Feeder Tray 3		A3E47-67901


Related documentation and software


Table 2-4 Related documentation and software

Item	Description	Part number
<i>HP LaserJet Pro M435nw Printer User Guide</i>	Product user guide	A3E42-90945
<i>HP LaserJet Pro M435nw Printer Repair Manual</i>	English service repair manual	A3E42-90978
<i>HP LaserJet Pro M435nw Printer Troubleshooting Manual</i>	English service troubleshooting manual	A3E42-90980

How to use the parts lists and diagrams

The figures in this chapter show the major subassemblies in the product and their component parts. A parts list table follows each exploded-view assembly diagram. Each table lists the item number, the associated part number, and the description of each part. If a part is not listed in the table, then it is not a field replacement unit (FRU).

 **CAUTION:** Be sure to order the correct part. When looking for part numbers for electrical components, pay careful attention to the voltage that is listed in the description column to ensure that the part number selected is for the correct product model.

 **NOTE:** In this manual, the abbreviation “PCA” stands for “printed circuit board assembly.” Components described as a PCA might consist of a single circuit board or a circuit board plus other parts, such as cables and sensors.

Fasteners used in this product


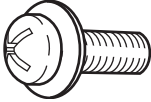
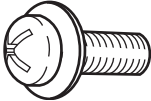
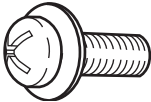
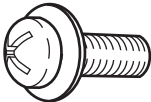
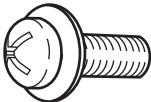
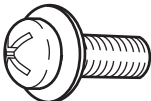
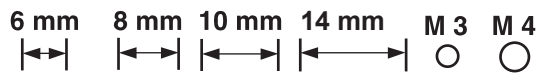
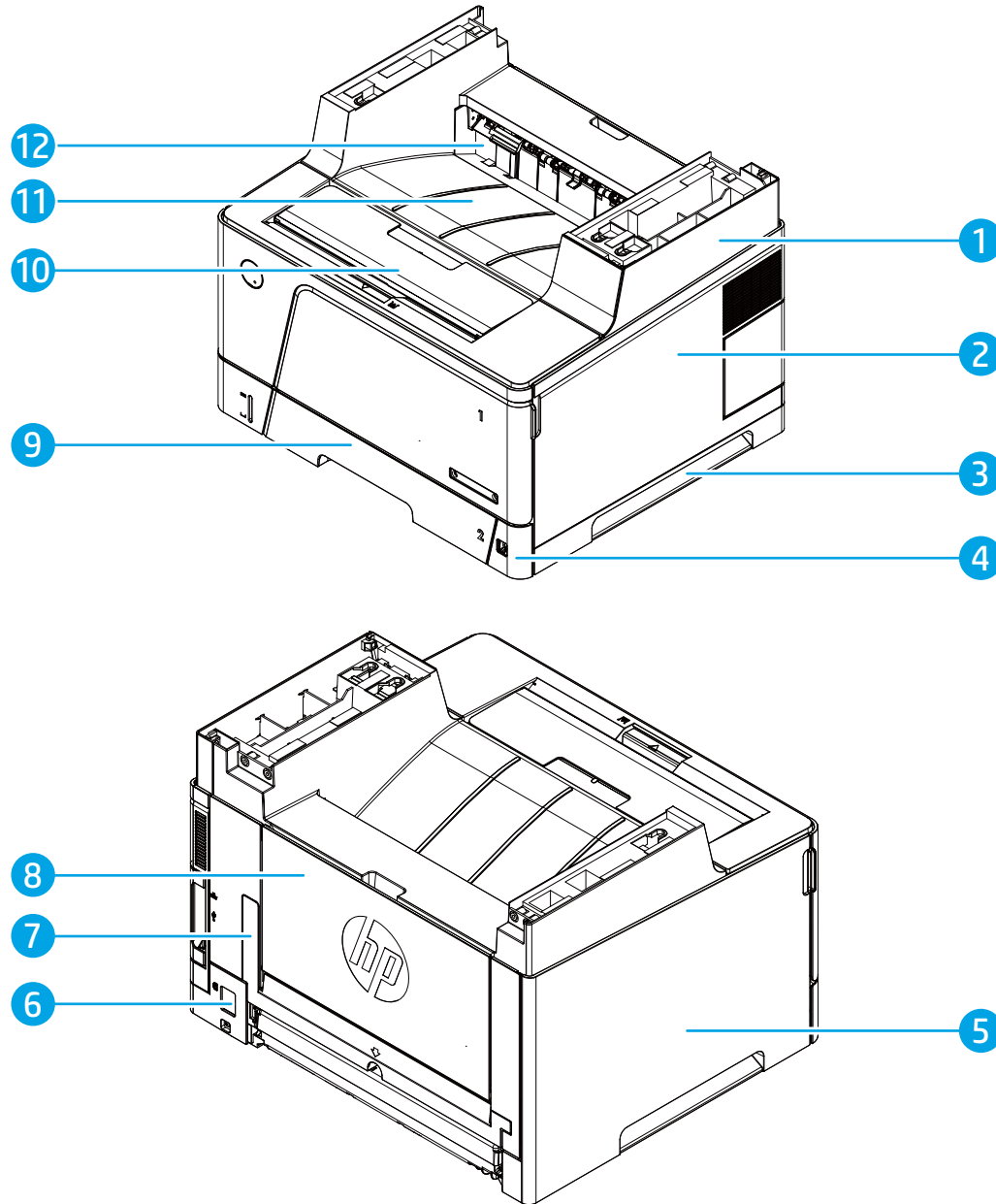
 **NOTE:** The screw illustrations in the following table are for reference only. Screws might vary in size and appearance from those shown in this table.

Illustration	Description	Size	Part number	Use
	Screw, Phillips	M3x6	0515-2908	Used to secure metal components to metal components (for example, a ground wire to the frame)
	Screw, Phillips, tapping	M3X10	0515-4671	Used to secure cover cable
	Screw, Phillips, tapping	M3X10	0515-5427	Used to secure hinge cover
	Screw, tapping, truss head	M4X14	0515-4743	Used to secure anything to plastic
	Screw, Phillips, tapping	M3X10	0515-4680	Used to secure Holder-CP ferrite
	Screw, Torx, tapping	M3X4.5	0515-547	Scanner lid



Assembly locations

Figure 2-1 External assembly locations



Item	Description	Item	Description
1	Upper right cover	7	Lower rear cover
2	Right cover assembly	8	Rear cover assembly
3	Right handle cover	9	Multi-purpose tray cover
4	Right front cover	10	Cartridge door
5	Left cover	11	Top cover assembly
6	Power receptacle	12	Face-down cover

Covers

Figure 2-2 External panels and covers

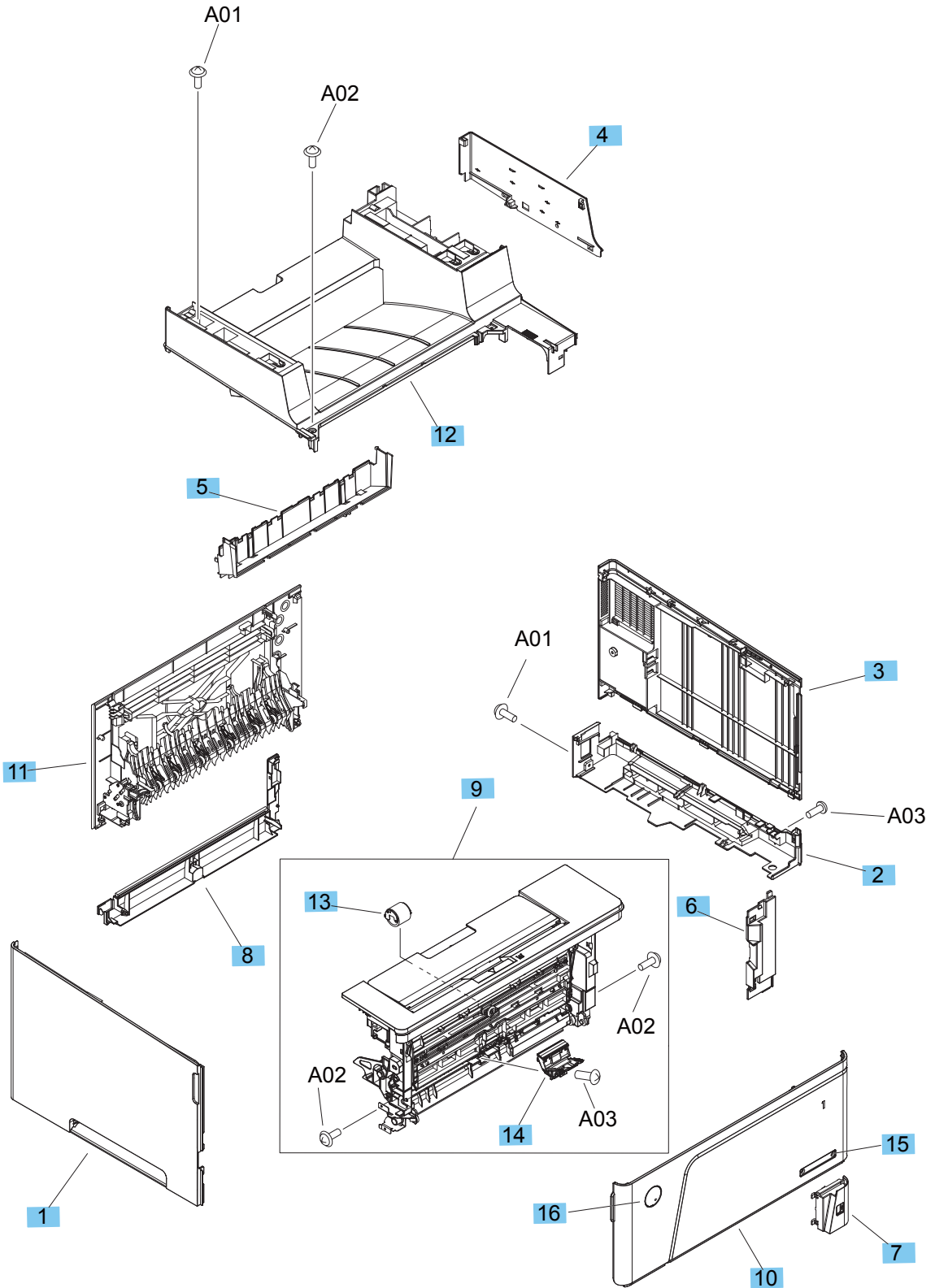


Table 2-5 External panels and covers

Ref	Description	Part number	Qty
1	Cover, left	RC3-5757-000	1
2	Cover, right handle	RC3-5758-000	1
3	Assembly, right cover	RM2-5843-000	1
4	Cover, right upper	RC3-5760-000	1
5	Cover, face down	RL2-0546-000	1
6	Cover, right front	RC3-5762-000	1
7	Cover, front USB	RC3-5763-000	1
8	Cover, rear lower	RL2-0550-000	1
9	Assembly, cartridge door	RM2-0624-000	1
10	Cover, multipurpose tray	RM2-0625-000	1
11	Cover, rear	RM2-0636-000	1
12	Cover, top	RM2-0642-000	1
13	Roller, multi-purpose tray, pickup	RL2-0544-000	1
14	Pad, multi-purpose tray, separation	RM1-2462-000	1
15	Name plate	A3E42-40010	1
16	HP logo, low profile round	7121-8541	1

SSA and control panel

Figure 2-3 SSA and control panel (1 of 4)

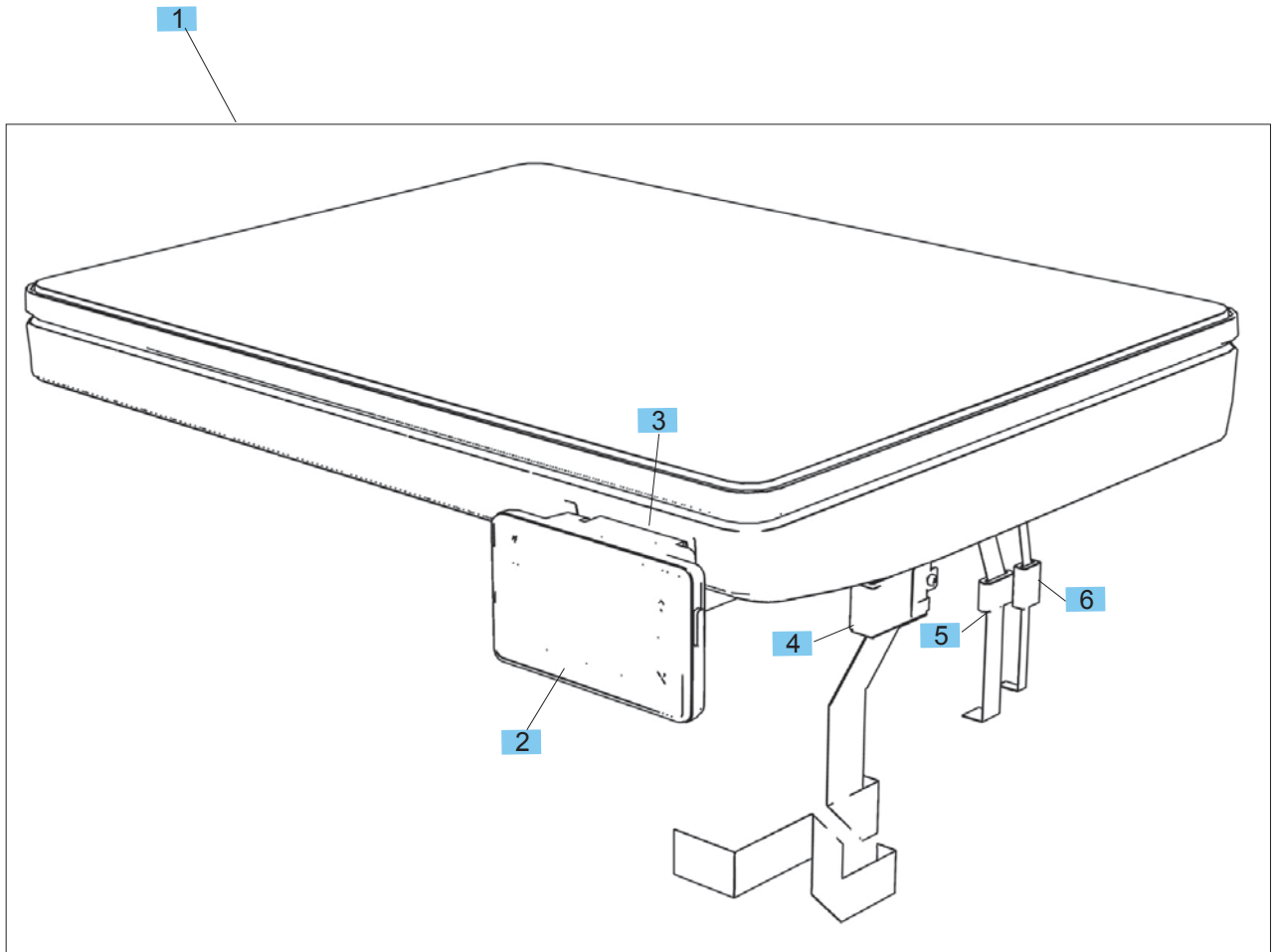


Table 2-6 SSA and control panel (1 of 4)

Ref	Description	Part number	Qty
1	Assembly, scanner with control panel, whole-unit	A3E42-60101	1
2	Assembly, 3.0"MF control panel	A3E42-60106	1
3	Cover, hinge	A3E42-40009	1
4	Ferrite, control panel	9170-2329	1
5	Ferrite, scanner	9170-2597	1
6	Ferrite, motor	5851-5178	1

Figure 2-4 SSA and control panel (2 of 4)

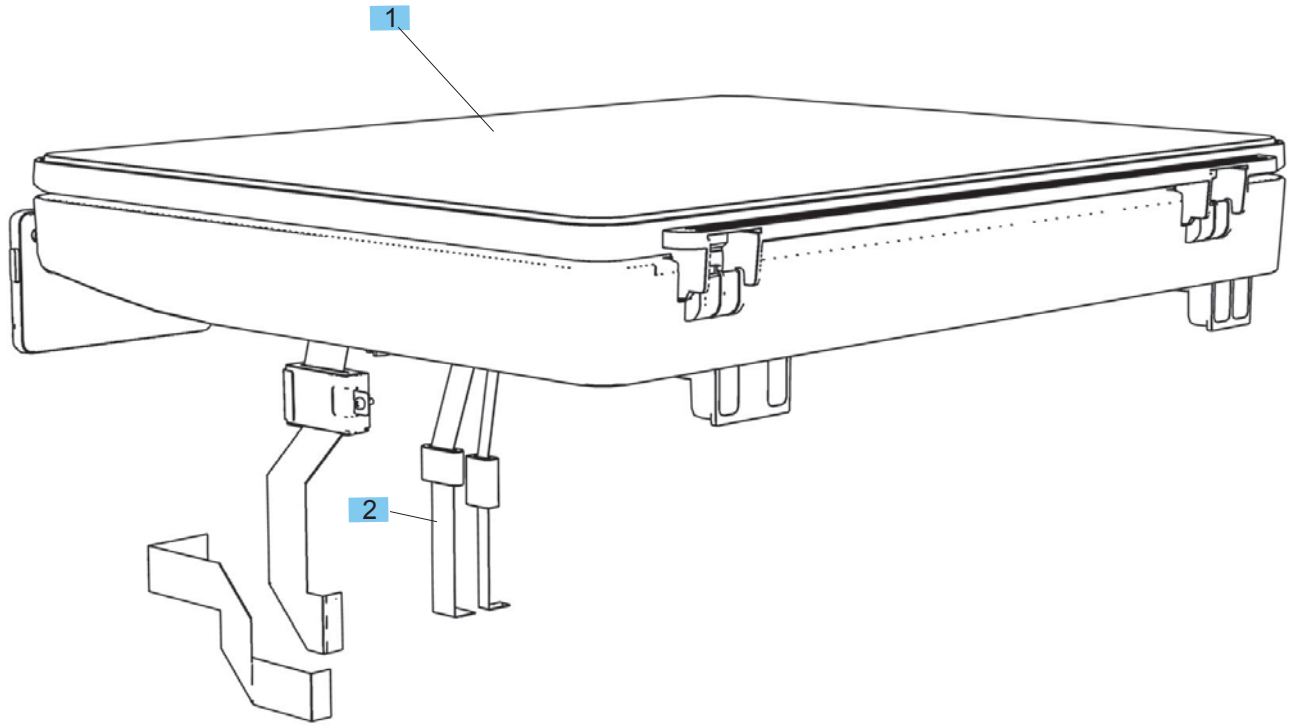


Table 2-7 SSA and control panel (2 of 4)

Ref	Description	Part number	Qty
1	Assembly, scanner lid	A3E42-60105	1

Figure 2-5 SSA and control panel (3 of 4)

1

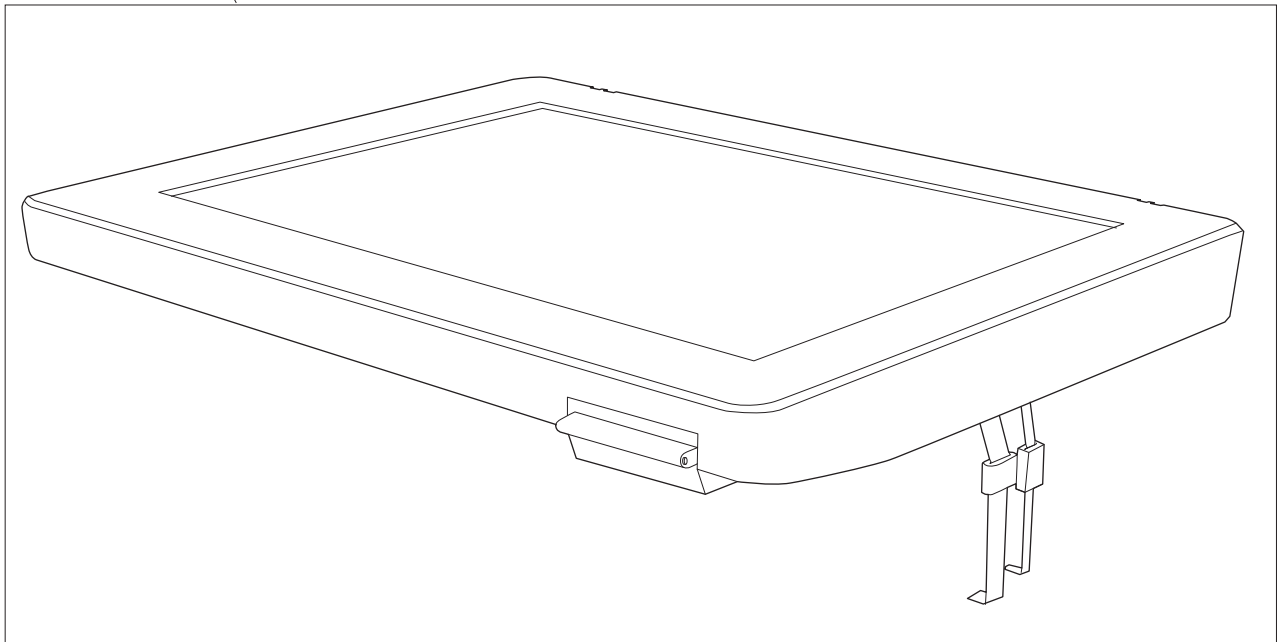


Table 2-8 Scanner assembly without lid and control panel (3 of 4)

Ref	Description	Part number	Qty
1	Assembly, scanner without lid and control panel	A3E42-60116	1

Figure 2-6 SSA and control panel (4 of 4)

1

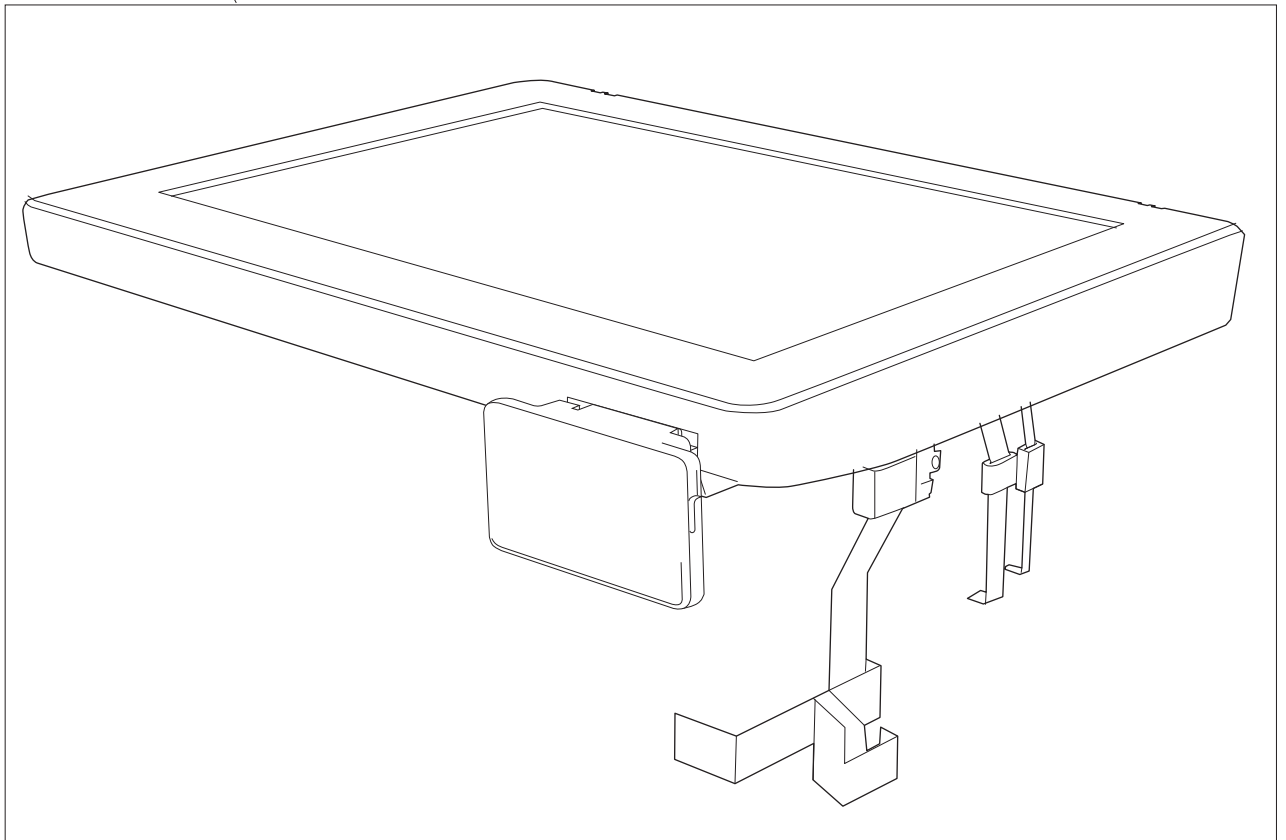


Table 2-9 Scanner assembly with control panel and without lid

Ref	Description	Part number	Qty
1	Assembly, scanner with control panel and without lid	A3E42-60120	1

Table 2-10 Internal components (1 of 3)

Ref	Description	Part number	Qty
1	Roller, transfer	RM2-5841-000	1
2	FFC, 21P	RK2-1054-000	1
3	FFC, 23P	RK2-1056-000	1
4	Solenoid, tray 2	RK2-1096-000	1
5	FFC, 15P	RK2-4915-000	1
6	PCA, DC controller	RM2-0231-000	2
7	Cassette, tray 2	RM2-0629-000	2
8	Assembly, paper feed	RM2-0630-000	1
9	Assembly, face-down paper delivery	RM2-0633-000	1
10	Assembly, paper pickup	RM2-0643-000	1
11	Roller, tray 2 pickup	RL1-4049-000	1
12	Assembly, registration	RM2-0645-000	1
13	Assembly, cassette detect switch	RM2-0236-000	1
14	Pad, tray 2 separation	RM1-2546-000	1

Figure 2-8 Internal components (2 of 3)

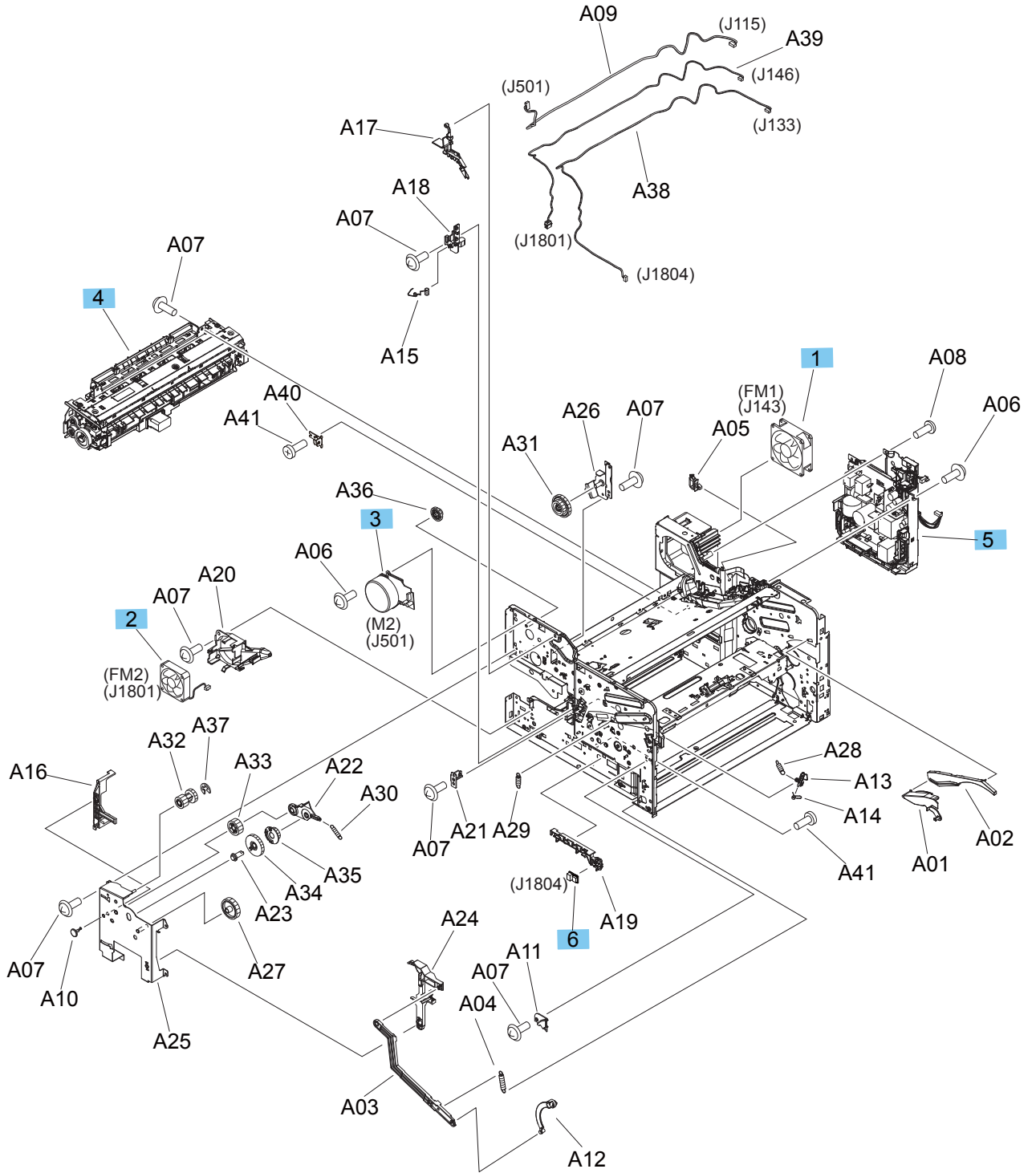


Table 2-11 Internal components (2 of 3)

Ref	Description	Part number	Qty
1	Fan, right	RK2-1090-000	1
2	Fan, left	RK2-2728-000	1
3	Motor, fuser	RM2-0622-000	1
4	Assembly, fuser (220v)	RM2-0639-000	1
5	Power supply, low-voltage	RM2-0647-000	1
6	Sensor, humidity	WP2-5368-000	1

Figure 2-9 Internal components (3 of 3)

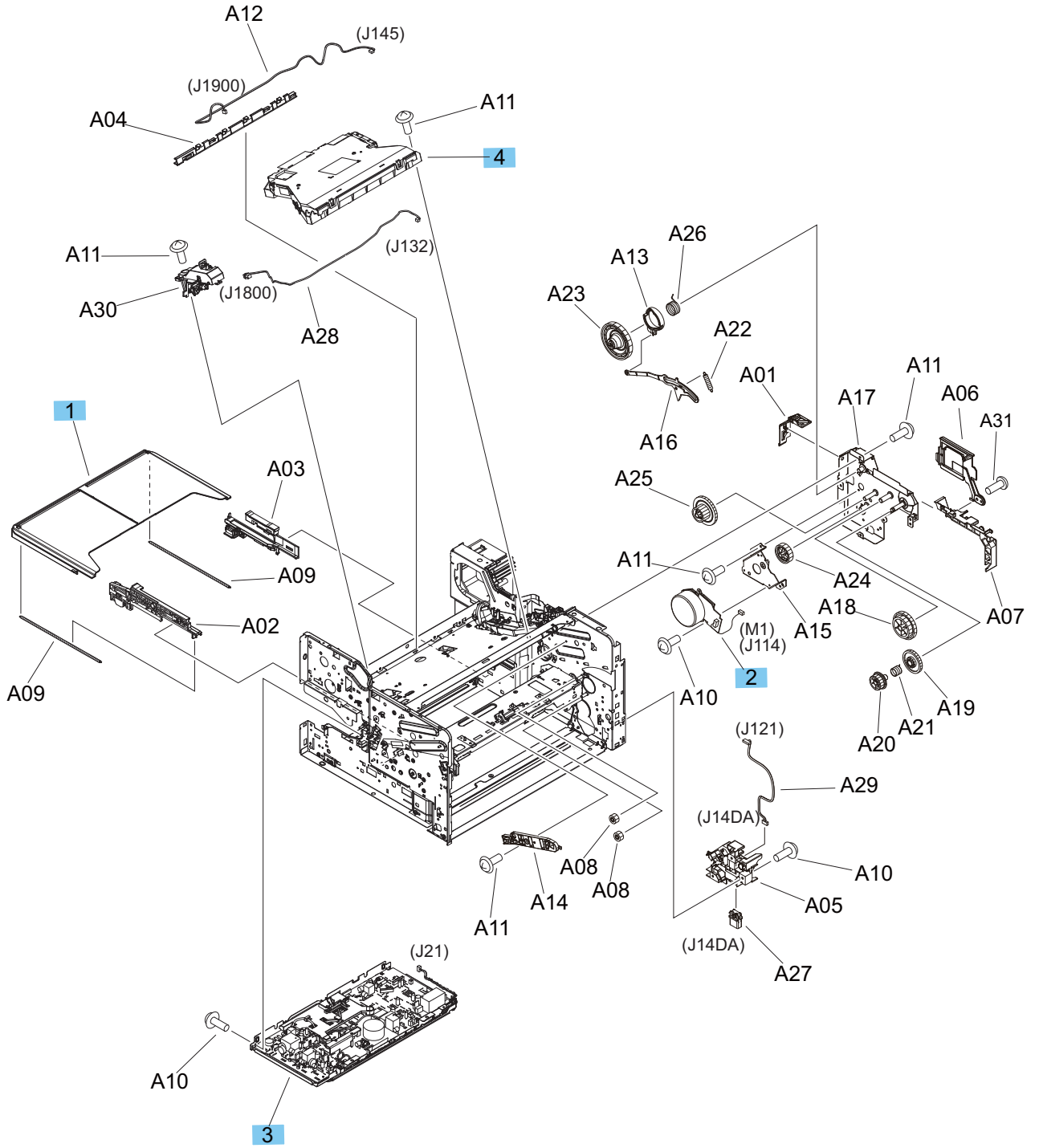


Table 2-12 Internal components (3 of 3)

Ref	Description	Part number	Qty
1	Cover, dust	RC3-5754-000	1
2	Motor, main	RM2-0623-000	1
3	Power supply, high-voltage	RM2-0631-000	1
4	Assembly, laser scanner unit	RM2-0648-000	1

PCAs

Figure 2-10 PCA assembly

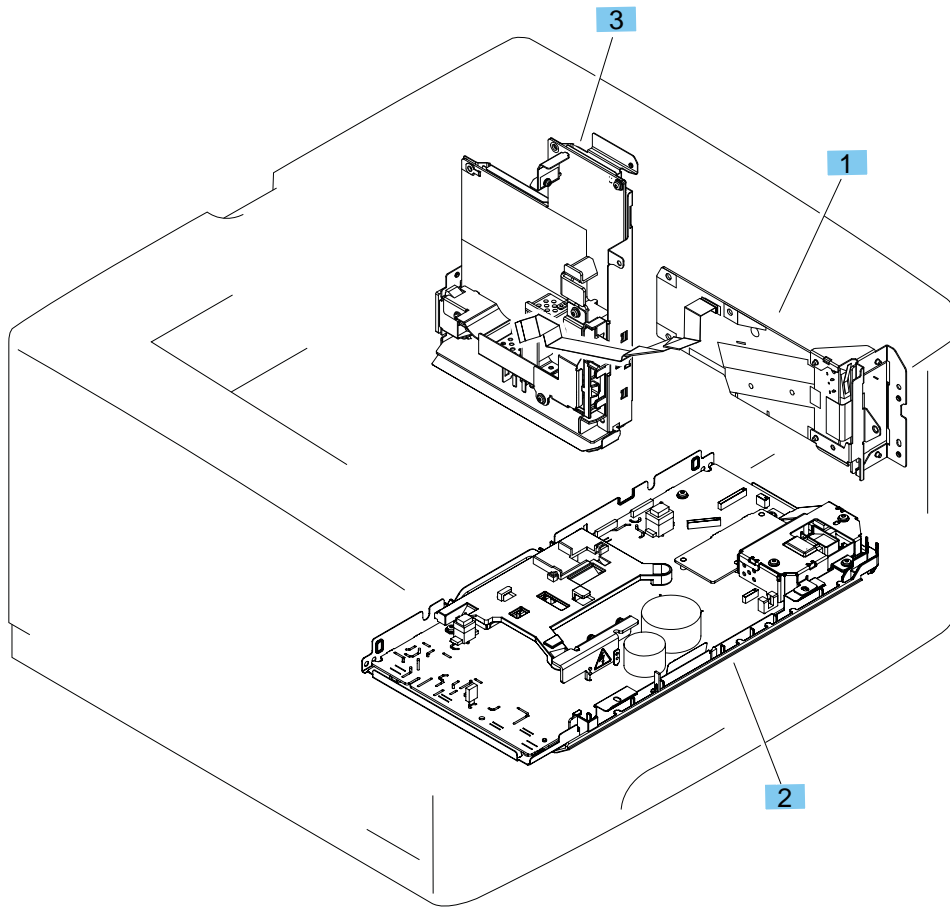


Table 2-13 PCA assembly

Ref	Description	Part number	Qty
1	DC controller PCA assembly	RM2-0231-000	1
2	High-voltage PCA assembly	RM2-0631-000	1
3	Low-voltage PCA assembly	RM2-0647-000	1
Not shown	PCA, formatter	CZ237-60001	1
Not shown	Stay, formatter	A3E42-00005	1
Not shown	FFC, formatter engine	A3E42-40013	1
Not shown	PCA, walk-up USB	CF368-60001	1
Not shown	Cable, front USB	A3E42-90978	1
Not shown	Bracket, USB	A2E42-00003	1
Not shown	PCA, WiFi	1150-7957	1
Not shown	Holder, WiFi	CF144-40011	1

500-sheet feeder, cassette, external panels and covers

Figure 2-11 500-sheet feeder cassette external panels and covers

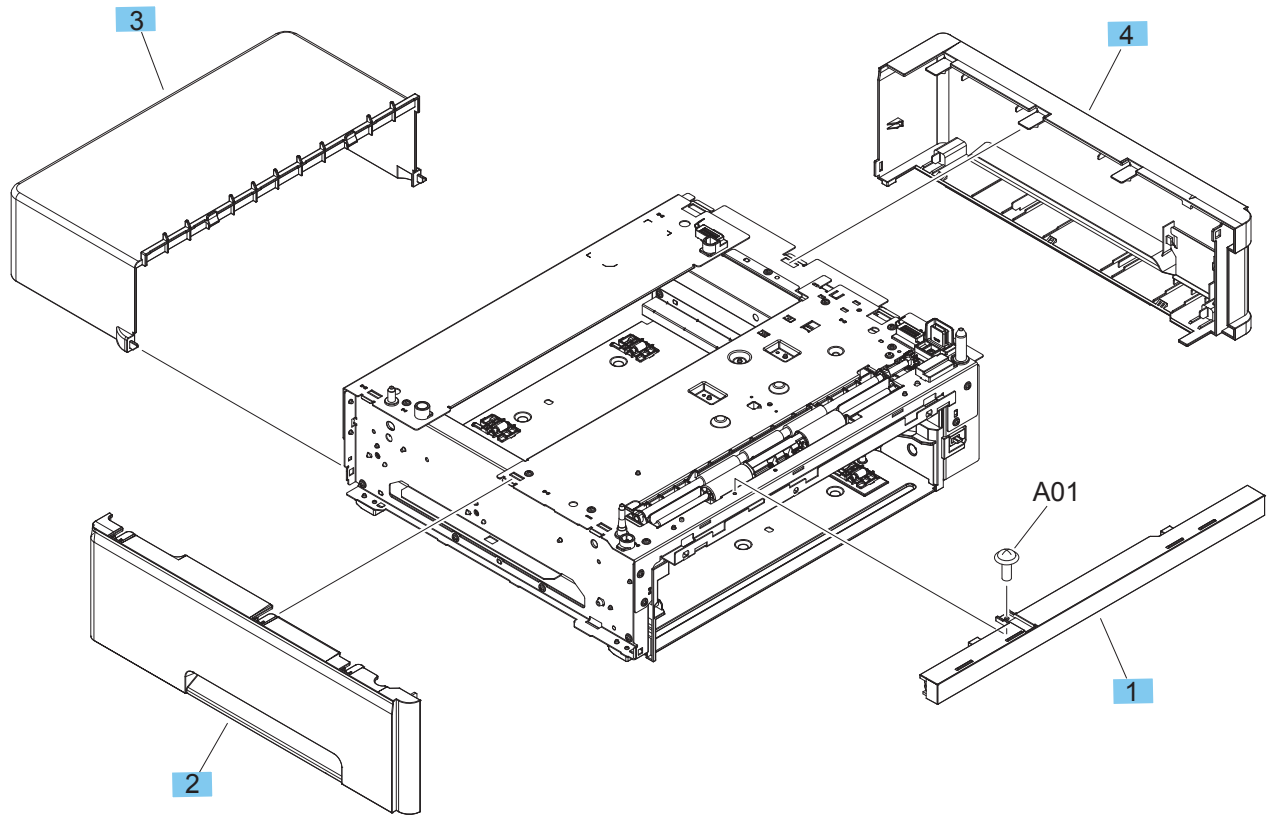


Table 2-14 500-sheet feeder cassette external panels and covers

Ref	Description	Part number	Qty
1	Cover, front, 500-sheet cassette	RC3-6131-000	1
2	Cover, left, 500-sheet cassette	RC3-6132-000	1
3	Cover, cassette	RC3-6134-000	1
4	Cover, right, 500-sheet cassette	RM2-0656-000	1

500-sheet feeder internal components

Figure 2-12 500-sheet feeder internal components

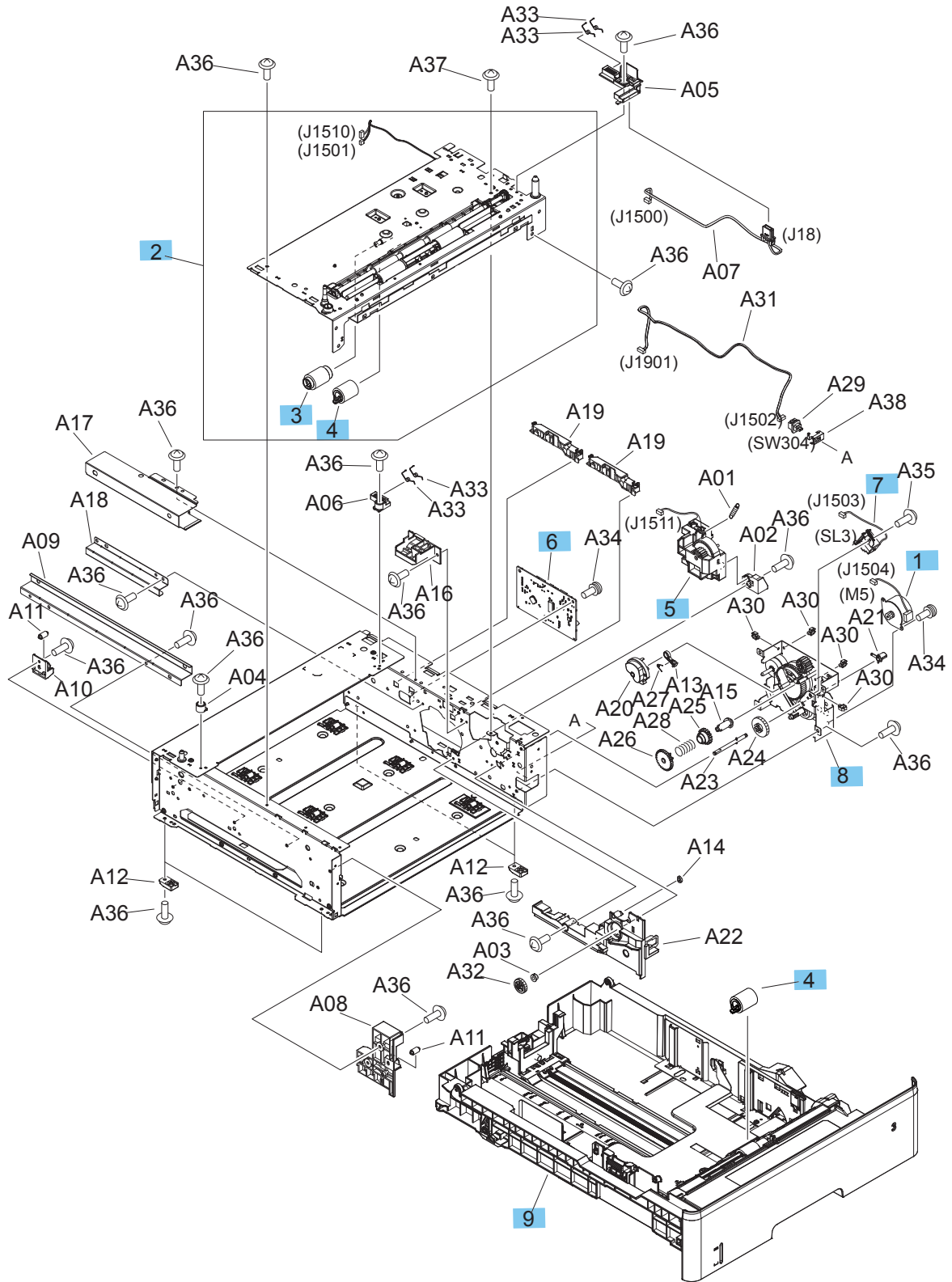


Table 2-15 500-sheet feeder internal components

Ref	Description	Part number	Qty
1	Motor, DC stepping	RK2-1062-000	1
2	Assembly, paper pickup	RM1-2896-000	1
3	Roller, paper pickup	RM1-0036-020	1
4	Roller, paper feed	RM1-0037-020	2
5	Assembly, lifter drive	RM1-2912-030	1
6	PCA, paper feed	RM2-0241-000	1
7	Solenoid, tray 3	RK2-0270-000	1
8	Assembly, drive	RM1-2909-000	1
9	Cassette, tray 3	RM2-0657-000	1

Duplexer external covers

Figure 2-13 Duplexer external covers

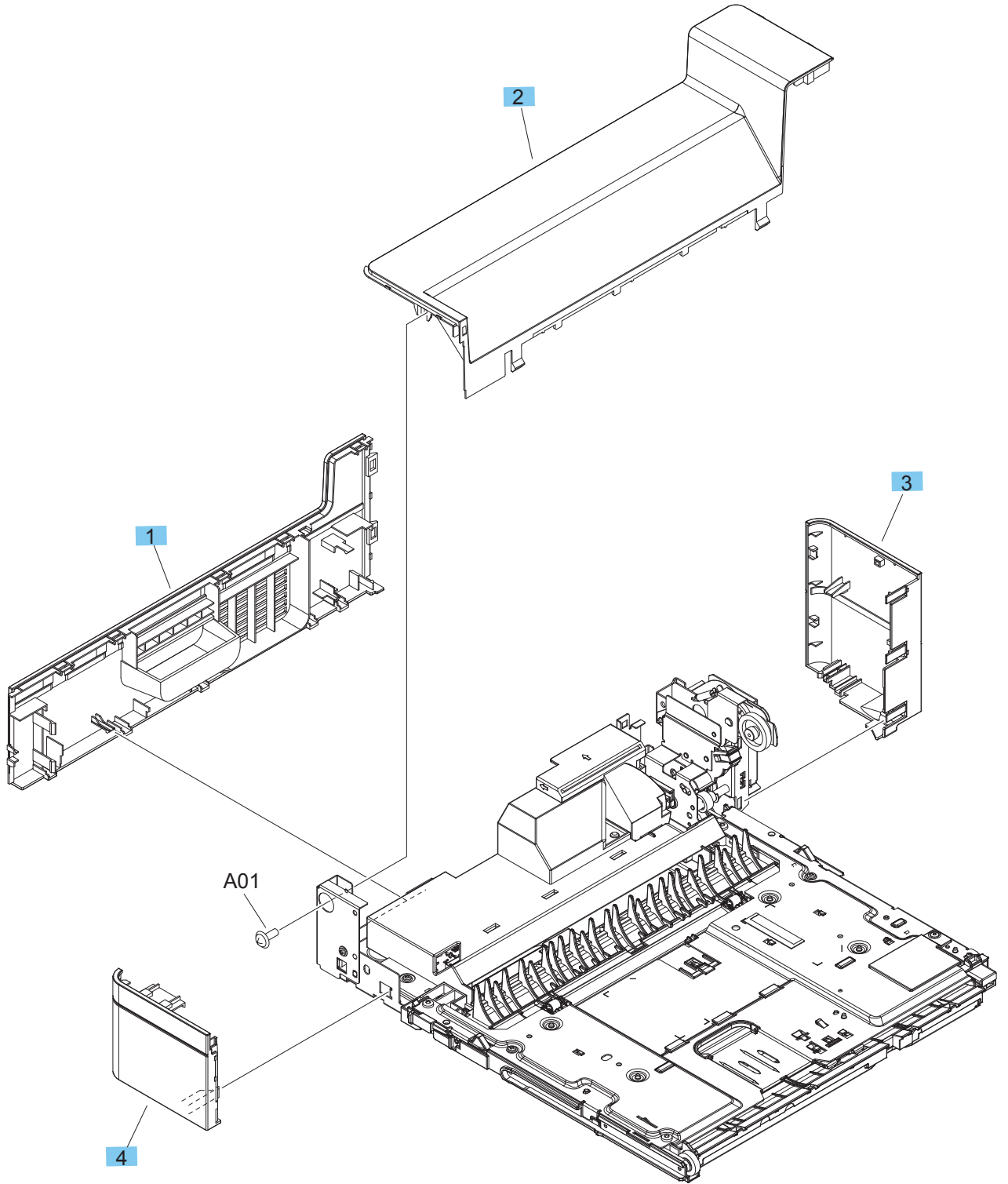


Table 2-16 Duplexer external covers

Ref	Description	Part number	Qty
1	Cover, rear	RC3-6137-000	1
2	Cover, upper	RC3-6138-000	1
3	Cover, right	RC3-6139-000	1
4	Cover, left	RC3-6140-000	1

Duplexing main body

Figure 2-14 Duplexing main body (1 of 2)

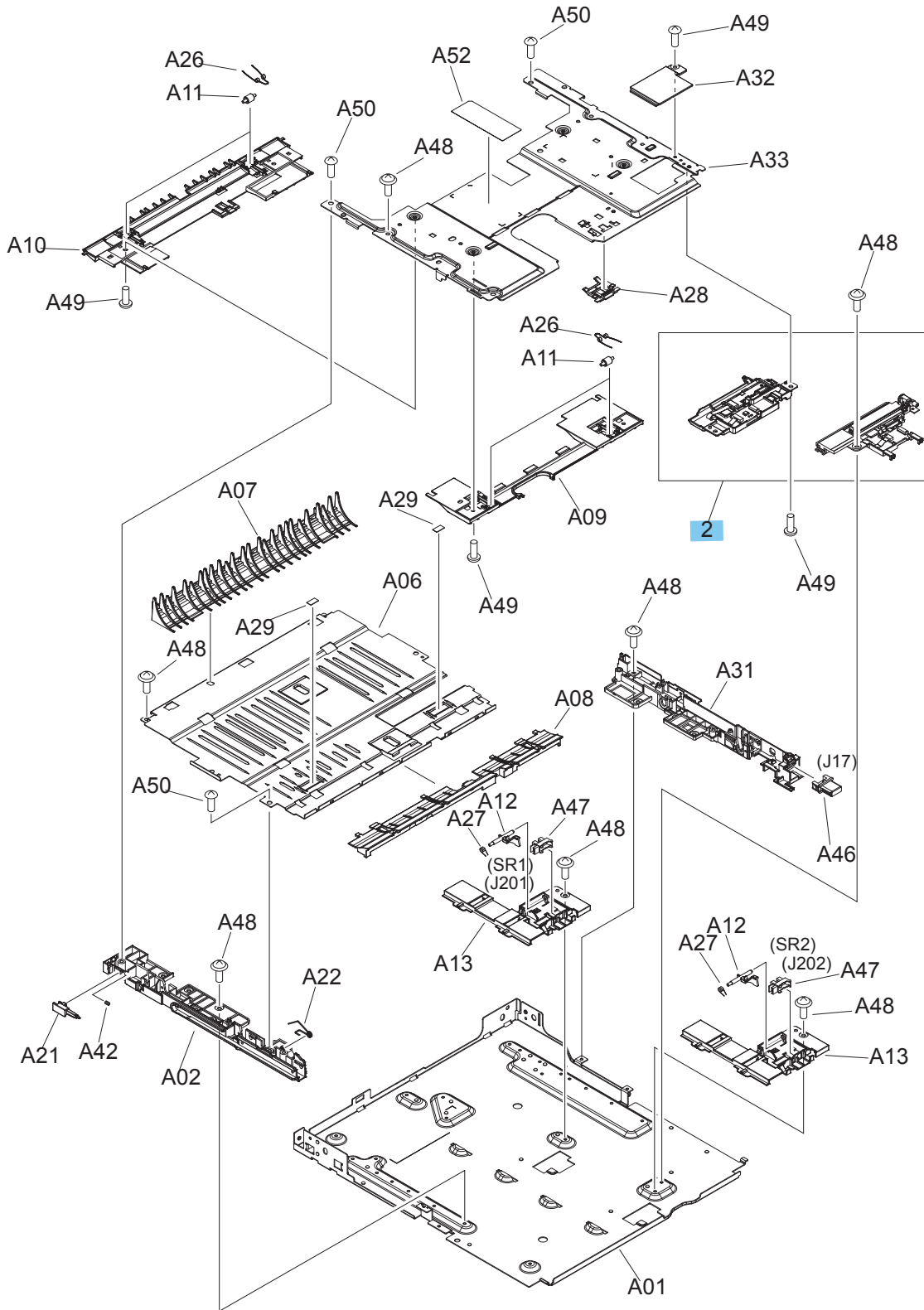


Table 2-17 Duplexing main body (2 of 2)

Ref	Description	Part number	Qty
2	Kit, registration sensor	RM1-9838-010	1

Figure 2-15 Duplexing main body (2 of 2)

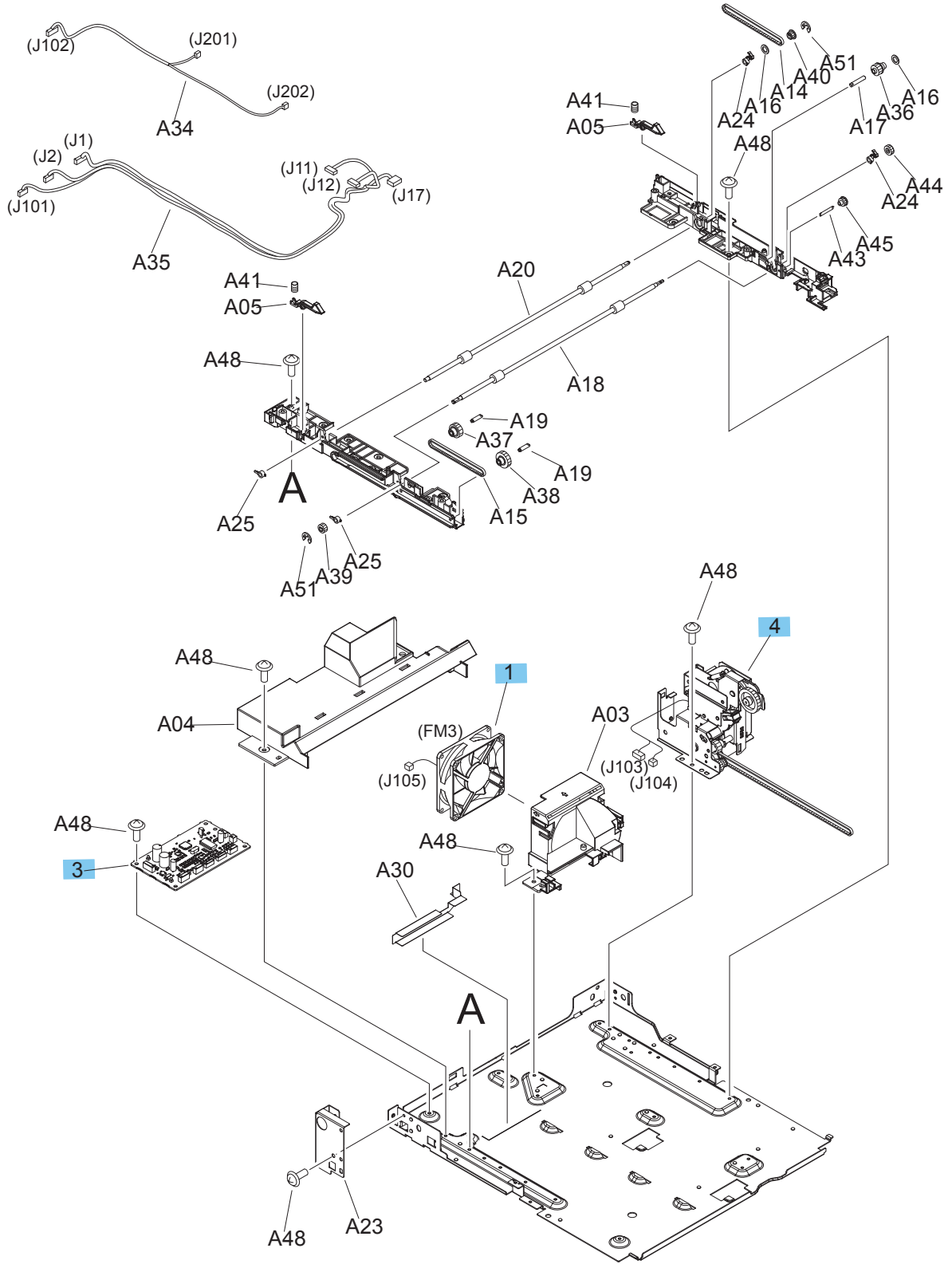


Table 2-18 Duplexing main body (3 of 3)

Ref	Description	Part number	Qty
1	Fan, duplexer	RK2-1067-000	1
3	PCA, duplexer	RM2-0255-000	1
4	Drive assembly, duplexer	RM2-0663-000	1

Alphabetical parts list

Table 2-19 Alphabetical parts list

Description	Part number	Table and page
Assembly, 3.0"MF control panel	A3E42-60106	SSA and control panel (1 of 4) on page 125
Assembly, cartridge door	RM2-0624-000	External panels and covers on page 123
Assembly, cassette detect switch	RM2-0236-000	Internal components (1 of 3) on page 133
Assembly, drive	RM1-2909-000	500-sheet feeder internal components on page 143
Assembly, face-down paper delivery	RM2-0633-000	Internal components (1 of 3) on page 133
Assembly, fuser (220v)	RM2-0639-000	Internal components (2 of 3) on page 135
Assembly, laser scanner unit	RM2-0648-000	Internal components (3 of 3) on page 137
Assembly, lifter drive	RM1-2912-030	500-sheet feeder internal components on page 143
Assembly, paper feed	RM2-0630-000	Internal components (1 of 3) on page 133
Assembly, paper pickup	RM2-0643-000	Internal components (1 of 3) on page 133
Assembly, paper pickup	RM1-2896-000	500-sheet feeder internal components on page 143
Assembly, registration	RM2-0645-000	Internal components (1 of 3) on page 133
Assembly, right cover	RM2-5843-000	External panels and covers on page 123
Assembly, scanner lid	A3E42-60105	SSA and control panel (2 of 4) on page 127
Assembly, scanner with control panel and without lid	A3E42-60120	Scanner assembly with control panel and without lid on page 131
Assembly, scanner with control panel, whole-unit	A3E42-60101	SSA and control panel (1 of 4) on page 125
Assembly, scanner without lid and control panel	A3E42-60116	Scanner assembly without lid and control panel (3 of 4) on page 129
Bracket, USB	A2E42-00003	PCA assembly on page 139
Cable, front USB	A3E42-90978	PCA assembly on page 139
Cassette, tray 2	RM2-0629-000	Internal components (1 of 3) on page 133

Table 2-19 Alphabetical parts list (continued)

Description	Part number	Table and page
Cassette, tray 3	RM2-0657-000	500-sheet feeder internal components on page 143
Cover, cassette	RC3-6134-000	500-sheet feeder cassette external panels and covers on page 141
Cover, dust	RC3-5754-000	Internal components (3 of 3) on page 137
Cover, face down	RL2-0546-000	External panels and covers on page 123
Cover, front USB	RC3-5763-000	External panels and covers on page 123
Cover, front, 500-sheet cassette	RC3-6131-000	500-sheet feeder cassette external panels and covers on page 141
Cover, hinge	A3E42-40009	SSA and control panel (1 of 4) on page 125
Cover, left	RC3-5757-000	External panels and covers on page 123
Cover, left	RC3-6140-000	Duplexer external covers on page 145
Cover, left, 500-sheet cassette	RC3-6132-000	500-sheet feeder cassette external panels and covers on page 141
Cover, multipurpose tray	RM2-0625-000	External panels and covers on page 123
Cover, rear	RM2-0636-000	External panels and covers on page 123
Cover, rear	RC3-6137-000	Duplexer external covers on page 145
Cover, rear lower	RL2-0550-000	External panels and covers on page 123
Cover, right	RC3-6139-000	Duplexer external covers on page 145
Cover, right front	RC3-5762-000	External panels and covers on page 123
Cover, right handle	RC3-5758-000	External panels and covers on page 123
Cover, right upper	RC3-5760-000	External panels and covers on page 123
Cover, right, 500-sheet cassette	RM2-0656-000	500-sheet feeder cassette external panels and covers on page 141
Cover, top	RM2-0642-000	External panels and covers on page 123

Table 2-19 Alphabetical parts list (continued)

Description	Part number	Table and page
Cover, upper	RC3-6138-000	Duplexer external covers on page 145
DC controller PCA assembly	RM2-0231-000	PCA assembly on page 139
Drive assembly, duplexer	RM2-0663-000	Duplexing main body (3 of 3) on page 149
Fan, duplexer	RK2-1067-000	Duplexing main body (3 of 3) on page 149
Fan, left	RK2-2728-000	Internal components (2 of 3) on page 135
Fan, right	RK2-1090-000	Internal components (2 of 3) on page 135
Ferrite, control panel	9170-2329	SSA and control panel (1 of 4) on page 125
Ferrite, motor	5851-5178	SSA and control panel (1 of 4) on page 125
Ferrite, scanner	9170-2597	SSA and control panel (1 of 4) on page 125
FFC, 15P	RK2-4915-000	Internal components (1 of 3) on page 133
FFC, 21P	RK2-1054-000	Internal components (1 of 3) on page 133
FFC, 23P	RK2-1056-000	Internal components (1 of 3) on page 133
FFC, formatter engine	A3E42-40013	PCA assembly on page 139
High-voltage PCA assembly	RM2-0631-000	PCA assembly on page 139
Holder, WiFi	CF144-40011	PCA assembly on page 139
HP logo, low profile round	7121-8541	External panels and covers on page 123
Kit, registration sensor	RM1-9838-010	Duplexing main body (2 of 2) on page 147
Low-voltage PCA assembly	RM2-0647-000	PCA assembly on page 139
Motor, DC stepping	RK2-1062-000	500-sheet feeder internal components on page 143
Motor, fuser	RM2-0622-000	Internal components (2 of 3) on page 135
Motor, main	RM2-0623-000	Internal components (3 of 3) on page 137
Name plate	A3E42-40010	External panels and covers on page 123
Pad, multi-purpose tray, separation	RM1-2462-000	External panels and covers on page 123

Table 2-19 Alphabetical parts list (continued)

Description	Part number	Table and page
Pad, tray 2 separation	RM1-2546-000	Internal components (1 of 3) on page 133
PCA, DC controller	RM2-0231-000	Internal components (1 of 3) on page 133
PCA, duplexer	RM2-0255-000	Duplexing main body (3 of 3) on page 149
PCA, formatter	CZ237-60001	PCA assembly on page 139
PCA, paper feed	RM2-0241-000	500-sheet feeder internal components on page 143
PCA, walk-up USB	CF368-60001	PCA assembly on page 139
PCA, WiFi	1150-7957	PCA assembly on page 139
Power supply, high-voltage	RM2-0631-000	Internal components (3 of 3) on page 137
Power supply, low-voltage	RM2-0647-000	Internal components (2 of 3) on page 135
Roller, multi-purpose tray, pickup	RL2-0544-000	External panels and covers on page 123
Roller, paper feed	RM1-0037-020	500-sheet feeder internal components on page 143
Roller, paper pickup	RM1-0036-020	500-sheet feeder internal components on page 143
Roller, transfer	RM2-5841-000	Internal components (1 of 3) on page 133
Roller, tray 2 pickup	RL1-4049-000	Internal components (1 of 3) on page 133
Sensor, humidity	WP2-5368-000	Internal components (2 of 3) on page 135
Solenoid, tray 2	RK2-1096-000	Internal components (1 of 3) on page 133
Solenoid, tray 3	RK2-0270-000	500-sheet feeder internal components on page 143
Stay, formatter	A3E42-00005	PCA assembly on page 139

Numerical parts list

Table 2-20 Numerical parts list

Part number	Description	Table and page
1150-7957	PCA, WiFi	PCA assembly on page 139
5851-5178	Ferrite, motor	SSA and control panel (1 of 4) on page 125
7121-8541	HP logo, low profile round	External panels and covers on page 123
9170-2329	Ferrite, control panel	SSA and control panel (1 of 4) on page 125
9170-2597	Ferrite, scanner	SSA and control panel (1 of 4) on page 125
A2E42-00003	Bracket, USB	PCA assembly on page 139
A3E42-00005	Stay, formatter	PCA assembly on page 139
A3E42-40009	Cover, hinge	SSA and control panel (1 of 4) on page 125
A3E42-40010	Name plate	External panels and covers on page 123
A3E42-40013	FFC, formatter engine	PCA assembly on page 139
A3E42-60101	Assembly, scanner with control panel, whole-unit	SSA and control panel (1 of 4) on page 125
A3E42-60105	Assembly, scanner lid	SSA and control panel (2 of 4) on page 127
A3E42-60106	Assembly, 3.0"MF control panel	SSA and control panel (1 of 4) on page 125
A3E42-60116	Assembly, scanner without lid and control panel	Scanner assembly without lid and control panel (3 of 4) on page 129
A3E42-60120	Assembly, scanner with control panel and without lid	Scanner assembly with control panel and without lid on page 131
A3E42-90978	Cable, front USB	PCA assembly on page 139
CF144-40011	Holder, WiFi	PCA assembly on page 139
CF368-60001	PCA, walk-up USB	PCA assembly on page 139
CZ237-60001	PCA, formatter	PCA assembly on page 139
RC3-5754-000	Cover, dust	Internal components (3 of 3) on page 137
RC3-5757-000	Cover, left	External panels and covers on page 123
RC3-5758-000	Cover, right handle	External panels and covers on page 123
RC3-5760-000	Cover, right upper	External panels and covers on page 123

Table 2-20 Numerical parts list (continued)

Part number	Description	Table and page
RC3-5762-000	Cover, right front	External panels and covers on page 123
RC3-5763-000	Cover, front USB	External panels and covers on page 123
RC3-6131-000	Cover, front, 500-sheet cassette	500-sheet feeder cassette external panels and covers on page 141
RC3-6132-000	Cover, left, 500-sheet cassette	500-sheet feeder cassette external panels and covers on page 141
RC3-6134-000	Cover, cassette	500-sheet feeder cassette external panels and covers on page 141
RC3-6137-000	Cover, rear	Duplexer external covers on page 145
RC3-6138-000	Cover, upper	Duplexer external covers on page 145
RC3-6139-000	Cover, right	Duplexer external covers on page 145
RC3-6140-000	Cover, left	Duplexer external covers on page 145
RK2-0270-000	Solenoid, tray 3	500-sheet feeder internal components on page 143
RK2-1054-000	FFC, 21P	Internal components (1 of 3) on page 133
RK2-1056-000	FFC, 23P	Internal components (1 of 3) on page 133
RK2-1062-000	Motor, DC stepping	500-sheet feeder internal components on page 143
RK2-1067-000	Fan, duplexer	Duplexing main body (3 of 3) on page 149
RK2-1090-000	Fan, right	Internal components (2 of 3) on page 135
RK2-1096-000	Solenoid, tray 2	Internal components (1 of 3) on page 133
RK2-2728-000	Fan, left	Internal components (2 of 3) on page 135
RK2-4915-000	FFC, 15P	Internal components (1 of 3) on page 133
RL1-4049-000	Roller, tray 2 pickup	Internal components (1 of 3) on page 133
RL2-0544-000	Roller, multi-purpose tray, pickup	External panels and covers on page 123

Table 2-20 Numerical parts list (continued)

Part number	Description	Table and page
RL2-0546-000	Cover, face down	External panels and covers on page 123
RL2-0550-000	Cover, rear lower	External panels and covers on page 123
RM1-0036-020	Roller, paper pickup	500-sheet feeder internal components on page 143
RM1-0037-020	Roller, paper feed	500-sheet feeder internal components on page 143
RM1-2462-000	Pad, multi-purpose tray, separation	External panels and covers on page 123
RM1-2546-000	Pad, tray 2 separation	Internal components (1 of 3) on page 133
RM1-2896-000	Assembly, paper pickup	500-sheet feeder internal components on page 143
RM1-2909-000	Assembly, drive	500-sheet feeder internal components on page 143
RM1-2912-030	Assembly, lifter drive	500-sheet feeder internal components on page 143
RM1-9838-010	Kit, registration sensor	Duplexing main body (2 of 2) on page 147
RM2-0231-000	PCA, DC controller	Internal components (1 of 3) on page 133
RM2-0231-000	DC controller PCA assembly	PCA assembly on page 139
RM2-0236-000	Assembly, cassette detect switch	Internal components (1 of 3) on page 133
RM2-0241-000	PCA, paper feed	500-sheet feeder internal components on page 143
RM2-0255-000	PCA, duplexer	Duplexing main body (3 of 3) on page 149
RM2-0622-000	Motor, fuser	Internal components (2 of 3) on page 135
RM2-0623-000	Motor, main	Internal components (3 of 3) on page 137
RM2-0624-000	Assembly, cartridge door	External panels and covers on page 123
RM2-0625-000	Cover, multipurpose tray	External panels and covers on page 123
RM2-0629-000	Cassette, tray 2	Internal components (1 of 3) on page 133
RM2-0630-000	Assembly, paper feed	Internal components (1 of 3) on page 133
RM2-0631-000	Power supply, high-voltage	Internal components (3 of 3) on page 137

Table 2-20 Numerical parts list (continued)

Part number	Description	Table and page
RM2-0631-000	High-voltage PCA assembly	PCA assembly on page 139
RM2-0633-000	Assembly, face-down paper delivery	Internal components (1 of 3) on page 133
RM2-0636-000	Cover, rear	External panels and covers on page 123
RM2-0639-000	Assembly, fuser (220v)	Internal components (2 of 3) on page 135
RM2-0642-000	Cover, top	External panels and covers on page 123
RM2-0643-000	Assembly, paper pickup	Internal components (1 of 3) on page 133
RM2-0645-000	Assembly, registration	Internal components (1 of 3) on page 133
RM2-0647-000	Power supply, low-voltage	Internal components (2 of 3) on page 135
RM2-0647-000	Low-voltage PCA assembly	PCA assembly on page 139
RM2-0648-000	Assembly, laser scanner unit	Internal components (3 of 3) on page 137
RM2-0656-000	Cover, right, 500-sheet cassette	500-sheet feeder cassette external panels and covers on page 141
RM2-0657-000	Cassette, tray 3	500-sheet feeder internal components on page 143
RM2-0663-000	Drive assembly, duplexer	Duplexing main body (3 of 3) on page 149
RM2-5841-000	Roller, transfer	Internal components (1 of 3) on page 133
RM2-5843-000	Assembly, right cover	External panels and covers on page 123
WP2-5368-000	Sensor, humidity	Internal components (2 of 3) on page 135

Index

Symbols/Numerics

500-sheet feeder

- cassette cover, removing 104
- covers, part numbers 140
- drive assembly, removing and replacing 107
- front cover, removing 102
- internal components, part numbers 142
- left cover, removing 103
- lifter-drive assembly, removing and replacing 106
- paper-pickup assembly, removing and replacing 105
- PCA, removing and replacing 111
- pickup motor, removing and replacing 112
- right cover, removing 103

A

- after-service checklist 4

B

- before-service checklist 3
- bins, output
 - face-up, removing 18

C

- cartridge door unit, removing 29
- cautions iii
- conventions, document iii
- covers
 - 500-sheet feeder cassette cover, removing 104
 - 500-sheet feeder front, removing 102
 - 500-sheet feeder left, removing 103

500-sheet feeder part numbers 140

- 500-sheet feeder right, removing 103
- cartridge door unit, removing 29
- diagrams and part numbers, product 122
- duplexer back, removing 77
- duplexer left, removing 74
- duplexer right, removing 75
- duplexer top, removing 76
- face-down, removing 21
 - left, removing 21
 - lower back, removing 18
 - right front, removing 24
 - right lower, removing 25
 - right, removing 17
 - top, removing 19

D

- DC controller
 - PCA, part number 138
 - removing and replacing 57
- document conventions iii
- duplexer
 - back cover, removing 77
 - fan, removing and replacing 87
 - feed motor, removing and replacing 86
 - left cover, removing 74
 - part numbers 144
 - PCA assembly, part number 146
 - removing and replacing 74
 - right cover, removing 75
 - top cover, removing 76

E

- electrostatic discharge (ESD) 2
- ESD electrostatic discharge (ESD) 2

F

- face-down cover, removing 21
- face-up bin
 - removing 18
- fans
 - duplexer, removing and replacing 87
 - main, removing and replacing 47
 - sub, removing and replacing 49
- field-replaceable units (FRUs)
 - part numbers 118
 - replacing 2
- formatter
 - replacing 59
- FRUs (field-replaceable units)
 - part numbers 118
 - replacing 2
- fuser
 - removing and replacing 46
- fuser motor
 - removing and replacing 46

H

- high-voltage power supply
 - part numbers 138
 - removing and replacing 61

I

- installation 2
 - screws 2
 - See also* replacing parts
- internal components, part numbers
 - 500-sheet feeder 142
 - product 132

- L**
- laser/scanner
 - cautions for servicing 2
 - removing and replacing 44
- left cover, removing 21
- low-voltage power supply
 - part numbers 138
 - removing and replacing 69
- lower back cover, removing 18
- M**
- main fan
 - removing and replacing 47
- motors
 - 500-sheet feeder pickup, removing and replacing 112
 - duplexer feed, removing and replacing 86
 - fuser, removing and replacing 46
- N**
- notes iii
- O**
- output bins
 - face-up, removing 18
- P**
- paper-feed unit, removing and replacing 53
- part numbers
 - 500-sheet feeder covers 140
 - 500-sheet feeder internal components 142
 - about 118
 - covers, product 122
 - duplexer 144
 - duplexing PCA assembly 146
 - internal components, product 132
 - PCAs 138
- PCAs, part numbers 138
- pickup rollers
 - tray 1, replacing 6
 - tray 2, replacing 9
- power supplies
 - high-voltage, removing and replacing 61
 - low-voltage, removing and replacing 69
- print cartridges
 - door unit, removing 29
- R**
- registration unit, removing and replacing 52
- removing parts
 - 500-sheet feeder cassette cover 104
 - 500-sheet feeder drive PCA 111
 - 500-sheet feeder drive unit 107
 - 500-sheet feeder front cover 102
 - 500-sheet feeder left cover 103
 - 500-sheet feeder lifter drive unit 106
 - 500-sheet feeder paper-pickup unit 105
 - 500-sheet feeder pickup motor 112
 - 500-sheet feeder right cover 103
 - about 2
 - after-service checklist 4
 - before-service checklist 3
 - cartridge door unit 29
 - DC controller 57
 - duplexer back cover 77
 - duplexer fan 87
 - duplexer feed motor 86
 - duplexer left cover 74
 - duplexer rightcover 75
 - duplexer top cover 76
 - duplexer unit 74
 - face-down cover 21
 - face-up bin 18
 - formatter 59
 - fuser 46
 - fuser motor 46
 - high-voltage power supply 61
 - laser/scanner 44
 - left cover 21
 - low-voltage power supply 69
 - lower back cover 18
 - main fan 47
 - paper-feed unit 53
 - registration unit 52
 - right cover 17
 - right front cover 24
 - right handle cover 25
 - service approach 3
 - sub fan 49
 - tools, required 2
 - top cover 19
 - transfer roller 16
 - tray 1 pickup roller 6
 - tray 2 22
 - tray 2 pickup roller 9
 - tray 3 23
 - tray 3 retard roller 13
- repair approach 3
- replacing parts
 - 500-sheet feeder drive PCA 111
 - 500-sheet feeder drive unit 107
 - 500-sheet feeder lifter driveunit 106
 - 500-sheet feeder paper-pickup unit 105
 - 500-sheet feeder pickup motor 112
 - about 2
 - after-service checklist 4
 - before-service checklist 3
 - DC controller 57
 - duplexer fan 87
 - duplexer feed motor 86
 - formatter 59
 - fuser 46
 - fuser motor 46
 - high-voltage power supply 61
 - laser/scanner 44
 - low-voltage power supply 69
 - main fan 47
 - paper-feed unit 53
 - registration unit 52
 - screws 2
 - service approach 3
 - sub fan 49
 - tools, required 2
 - transfer roller 16
 - tray 1 pickup roller 6
 - tray 2 pickup roller 9
 - tray 3 retard roller 13
- retard roller, replacing tray 3 13
- right cover, removing 17
- right front cover, removing 24
- right handle cover, removing 25

- rollers
 - transfer, removing and replacing 16
 - tray 1 pickup, replacing 6
 - tray 2 pickup, replacing 9
 - tray 3 retard, replacing 13

S

- Scanner subassembly (SSA)
 - ssa, replacing 37
- Scanner subassembly (SSA) lid
 - lid, replacing 41
- screwdrivers, required 2
- screws
 - installing 2
 - types of 3
- service approach 3
- static, precautions for 2
- sub fan
 - removing and replacing 49

T

- tips iii
- tools, required 2
- top cover, removing 19
- transfer roller
 - removing and replacing 16
- tray 1
 - pickup roller, replacing 6
- tray 2
 - pickup roller, replacing 9
 - removing 22
- tray 3
 - removing 23
 - retard roller, replacing 13
- troubleshooting
 - service approach 3

U

- user-replaceable parts 6

W

- warnings iii



A3E42-90978

